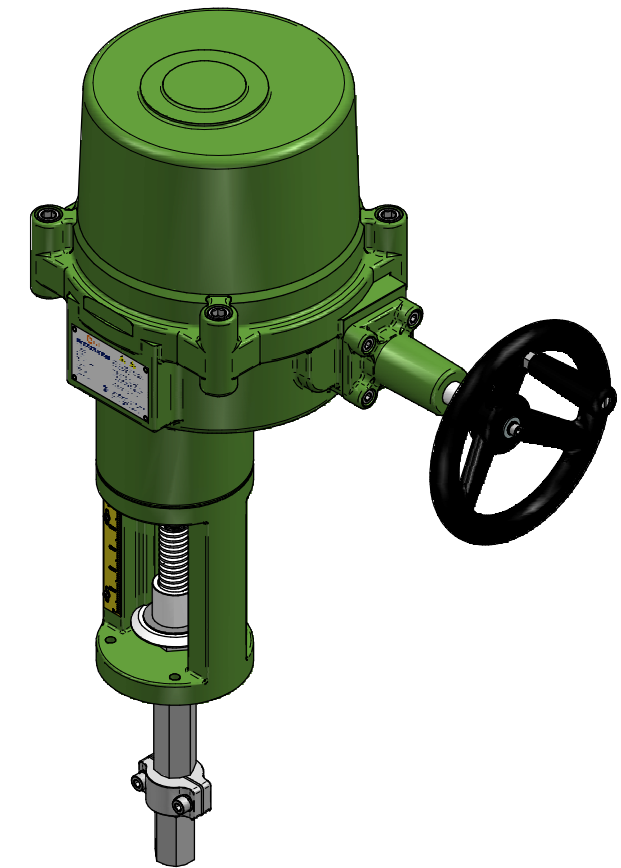
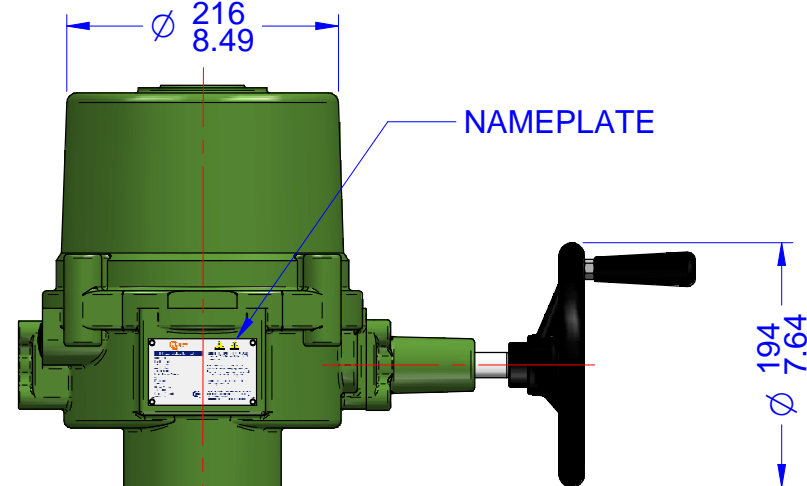
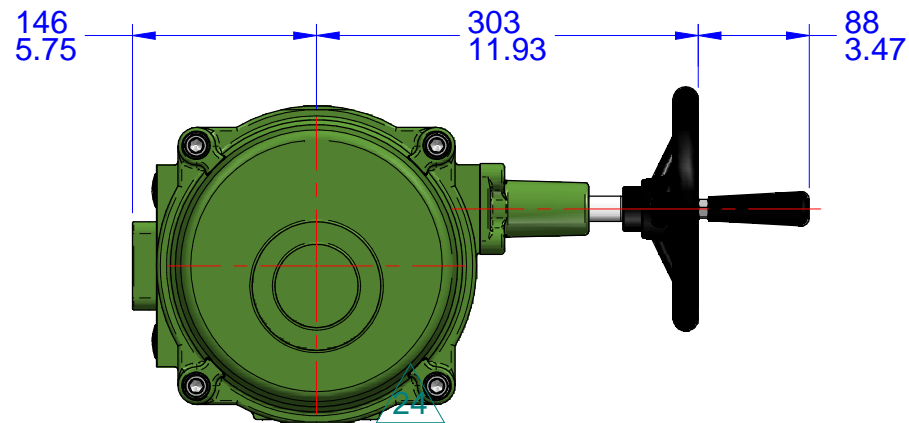
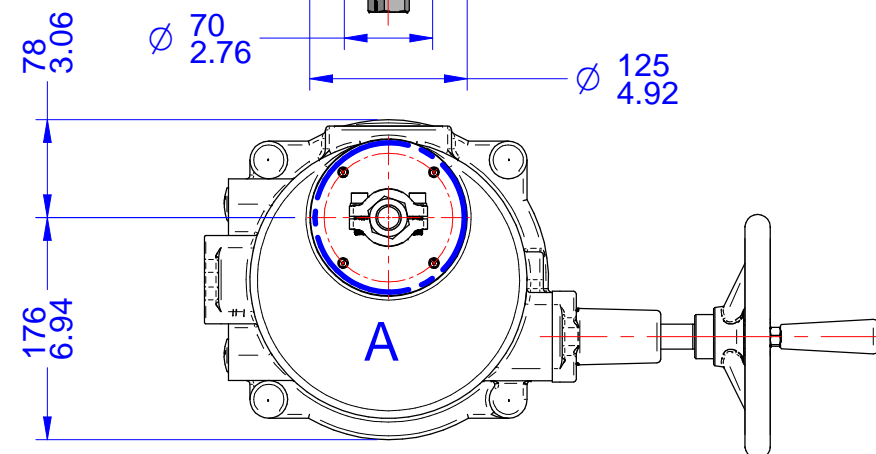
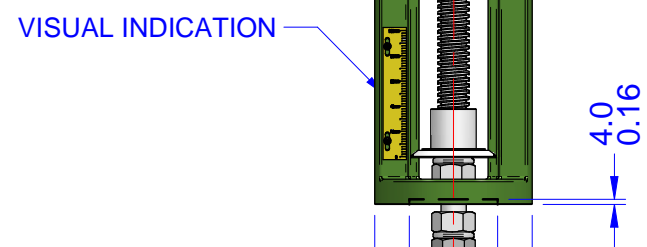
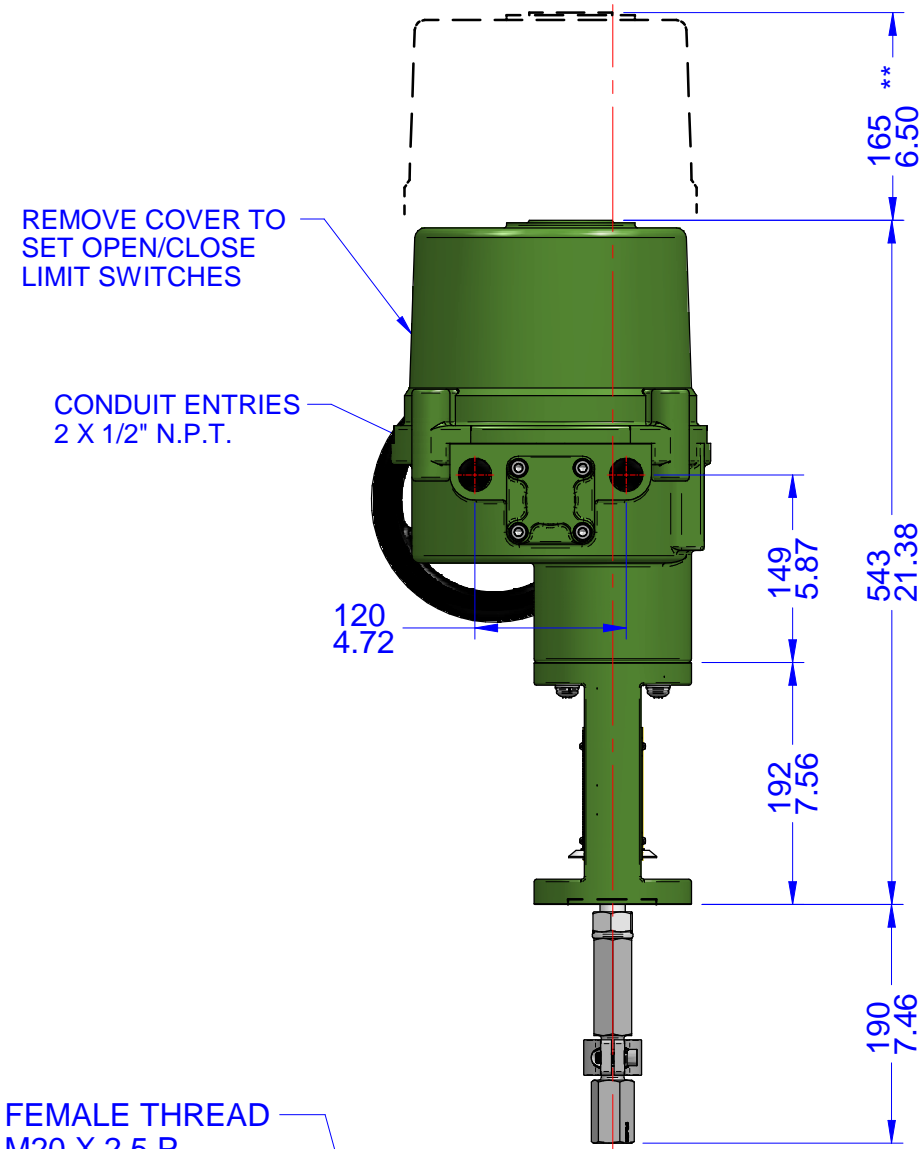


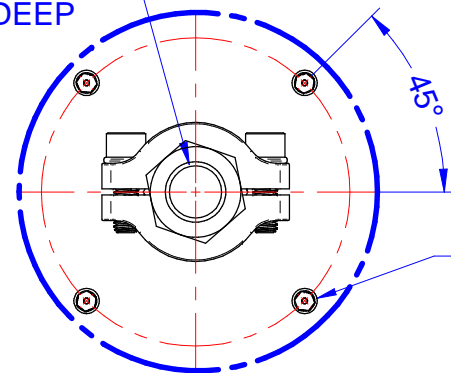
03			
02			
01			
00			
REV	DESCRIPTION	DATE	APVD
REVISION HISTORY			



- Notes:
- 1) All dimensions are in mm/INCHES.
 - 2) Actuator shown is in the fully clockwise closed position.
 - 3) Enclosure - Watertight CSA Nema 4X.
 - 4) ** Designates cover removal allowance.




FEMALE THREAD
M20 X 2.5 P
35mm/1.38" DEEP



DETAIL A

ISO5211 F10 BASE
4 HOLES TAPPED
M10 X 1.5P - 15mm DEPTH
EQUI-SPACED ON
102mm/4.02" B.C.D.



Innovative Actuation Incorporated

1-215 Traders Blvd. Mississauga, Ontario Canada L4Z-3K5 www.ivact.com

TITLE:
Dimensional Drawing ivact Model iVL-CHWN
Linear Electric Actuator with Manual Override

DOC. NO.: IV-2022	DATE: June 28/2018
----------------------	-----------------------

DRAWING NO.:

iVL-CHWN