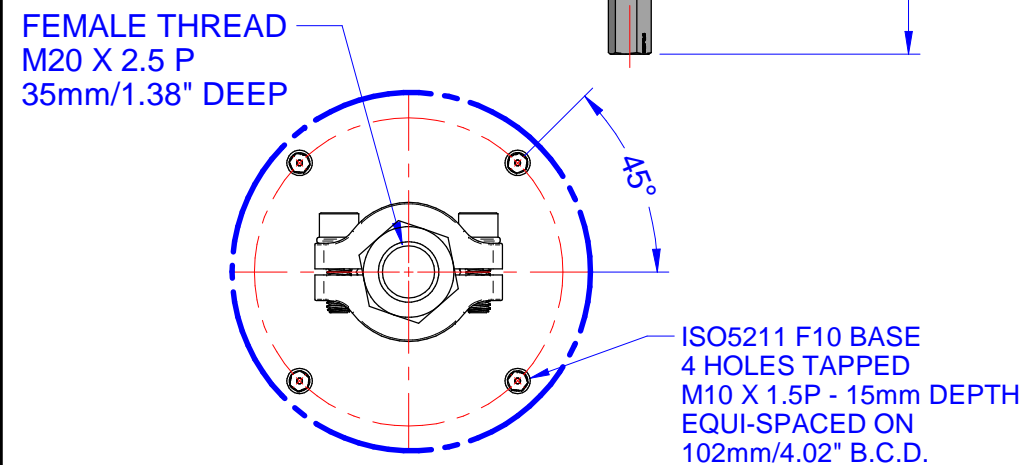
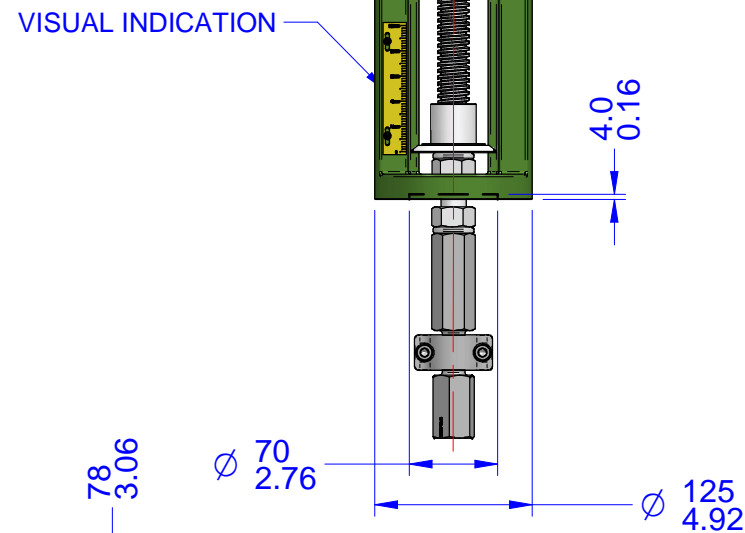
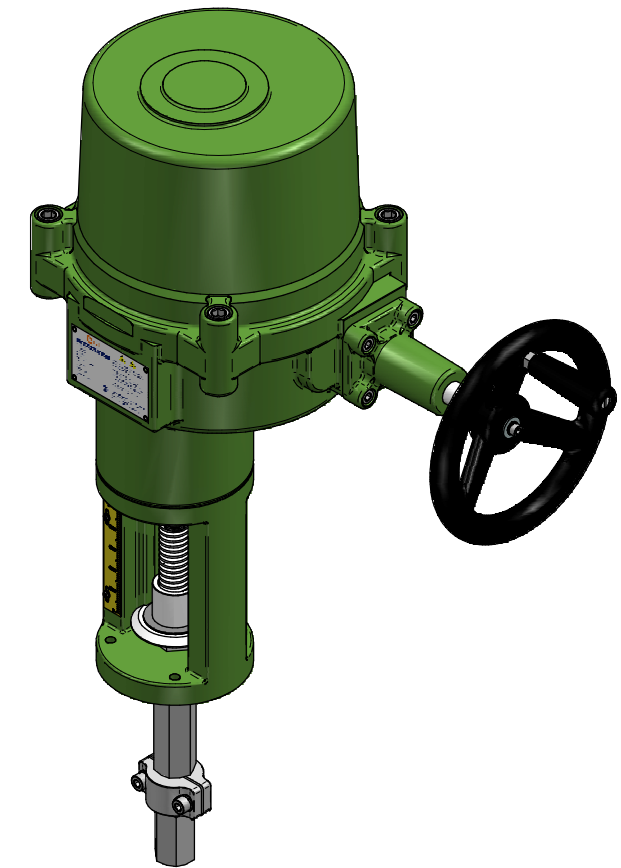
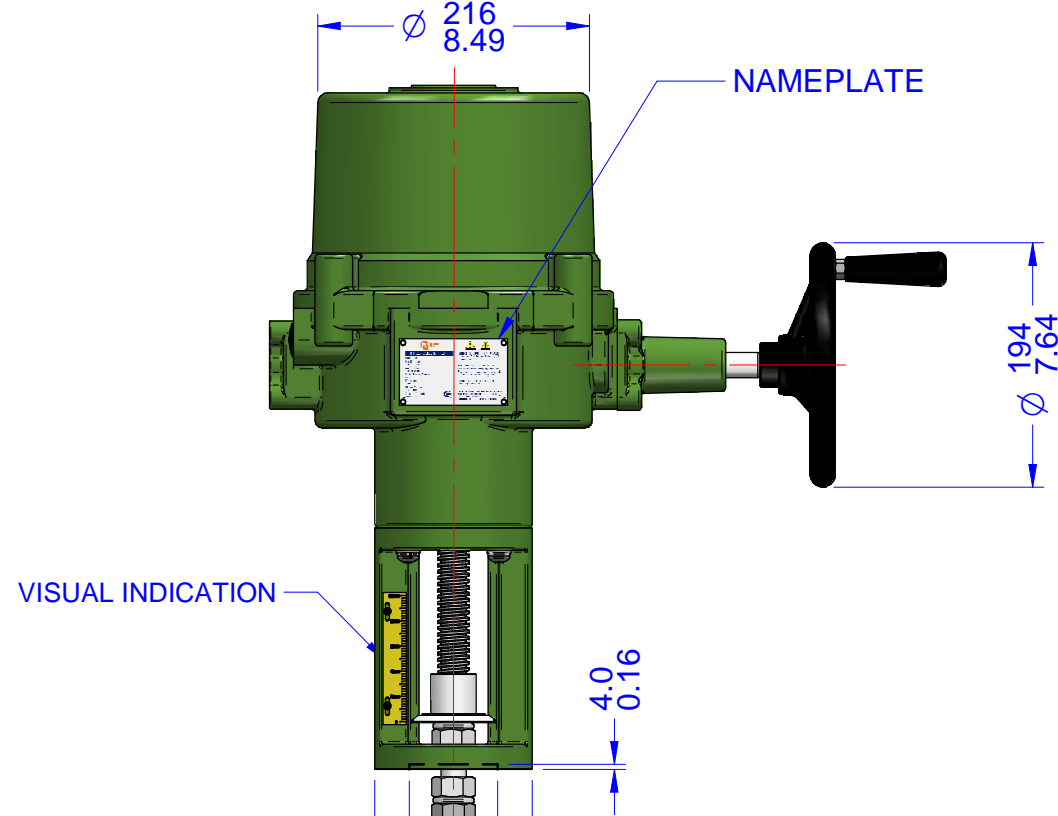
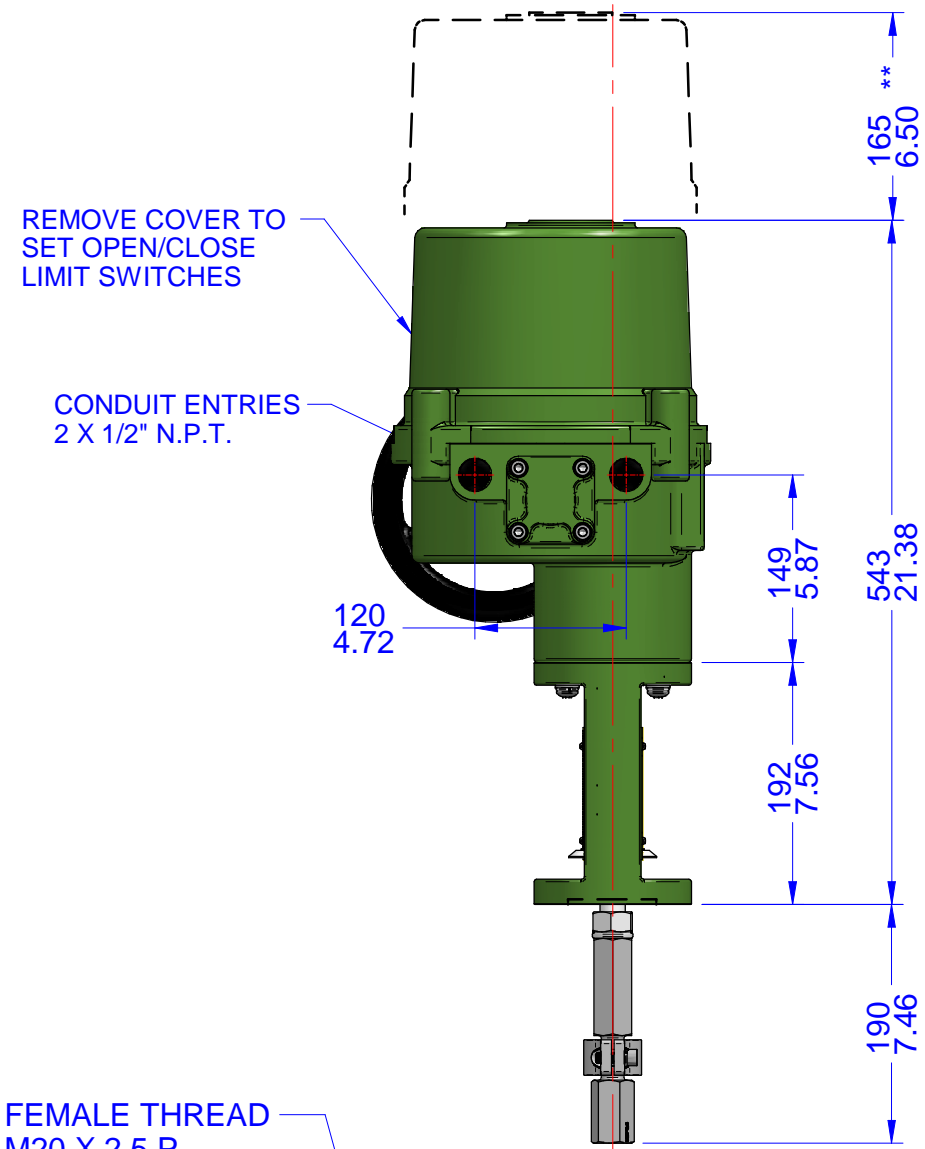
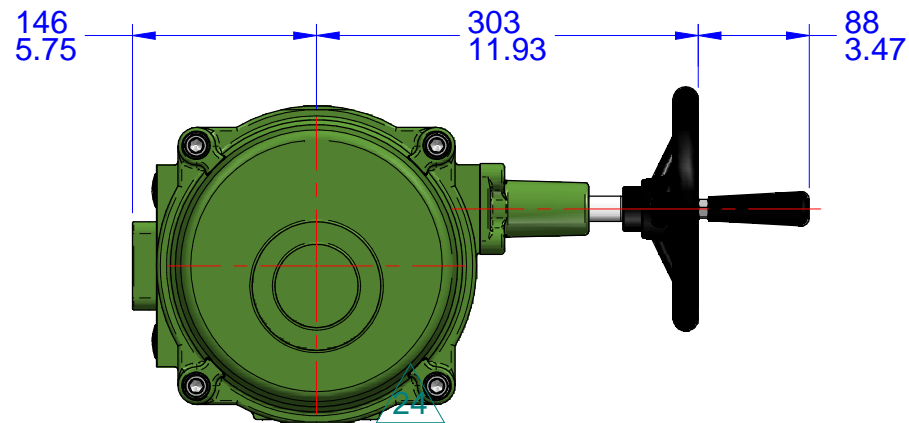
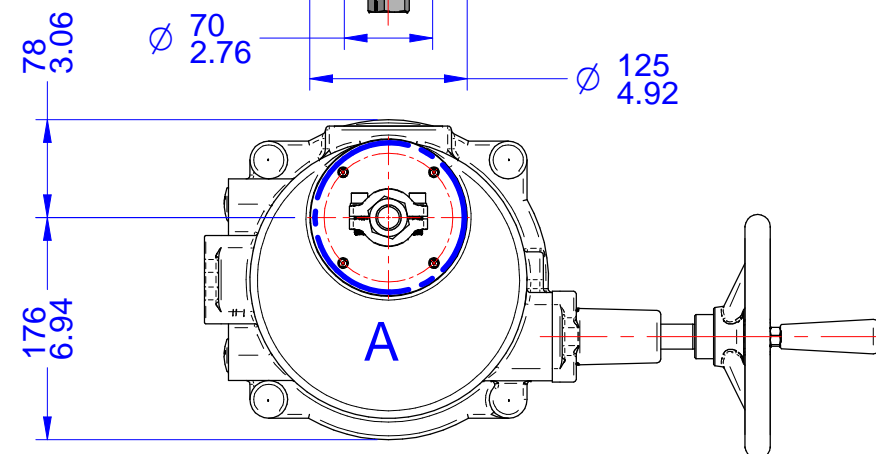



| | | | |
|------------------|-------------|------|------|
| 03 | | | |
| 02 | | | |
| 01 | | | |
| 00 | | | |
| REV | DESCRIPTION | DATE | APVD |
| REVISION HISTORY | | | |



DETAIL A



- Notes:
- 1) All dimensions are in mm/INCHES.
 - 2) Actuator shown is in the fully clockwise closed position.
 - 3) Enclosure - Watertight CSA Nema 4X.
 - 4) ** Designates cover removal allowance.



Innovative Actuation Incorporated

1-215 Traders Blvd. Mississauga, Ontario Canada L4Z-3K5 www.ivact.com

TITLE:
Dimensional Drawing ivact Model iVL-DHWN
 Linear Electric Actuator with Manual Override

| | |
|----------------------|-----------------------|
| DOC. NO.: IV-2023 | DATE: June 28/2018 |
|----------------------|-----------------------|

DRAWING NO.:

iVL-DHWN