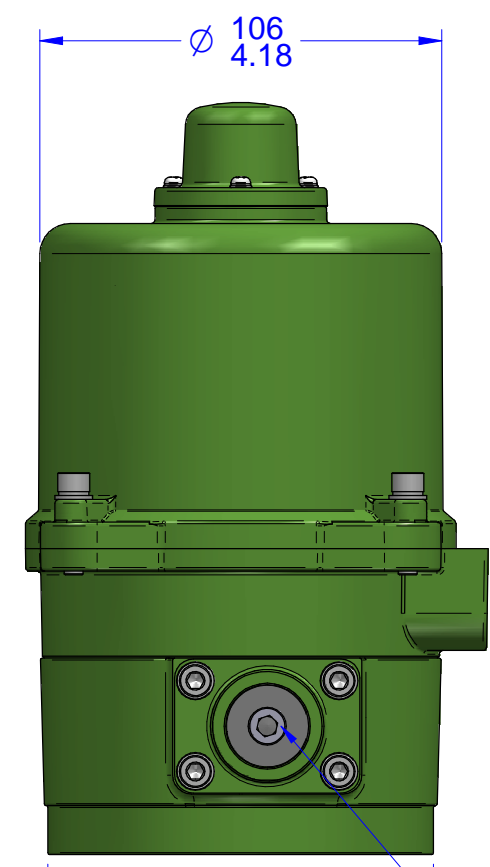


03			
02			
01			
00			
REV	DESCRIPTION	DATE	APVD
REVISION HISTORY			

REMOVE COVER TO SET OPEN/CLOSE LIMIT SWITCHES



32
1.26

NAMEPLATE

41
1.61

68
2.68

USE 5mm HEX WRENCH FOR MANUAL OVERRIDE LEVER

91
3.59

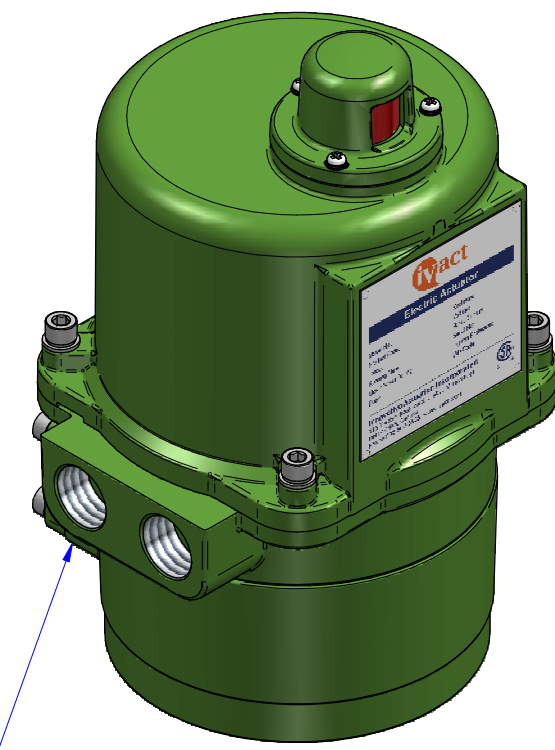
VISUAL INDICATION

32
1.26

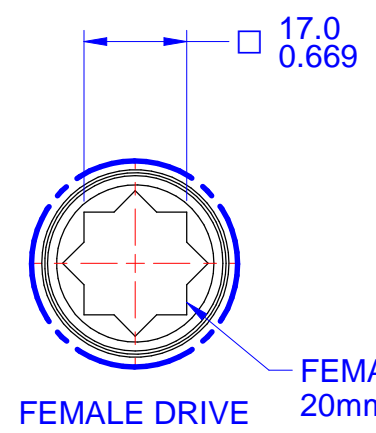
167
6.57

122
4.82

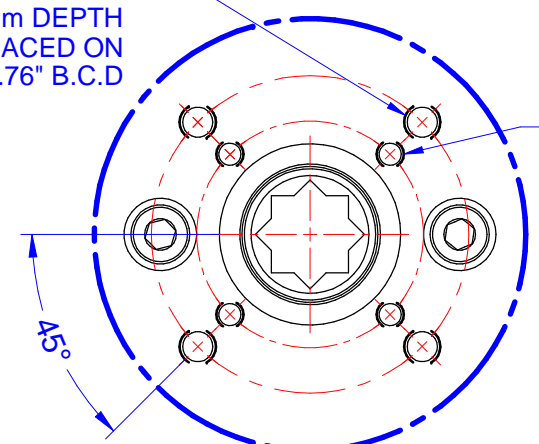
CONDUIT ENTRIES
2 X 1/2" N.P.T.



- Notes:
- 1) All dimensions are in mm/INCHES.
 - 2) Actuator shown is in the fully clockwise closed position.
 - 3) Enclosure - Watertight CSA Nema 4X.
 - 4) ** Designates cover removal allowance.

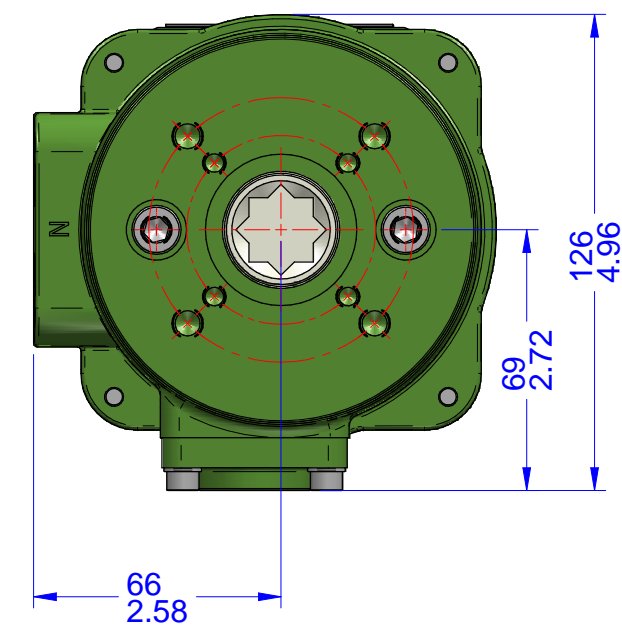



ISO5211 F07 BASE
4 HOLES TAPPED
M8 X 1.25P - 12mm DEPTH
EQUI-SPACED ON
70mm/2.76" B.C.D



ISO5211 F05 BASE
4 HOLES TAPPED
M6 X 1.0P - 9mm DEPTH
EQUI-SPACED ON
50mm/1.97" B.C.D.

BASE DETAIL





Innovative Actuation Incorporated

1-215 Traders Blvd. Mississauga, Ontario Canada L4Z-3K5 www.ivact.com

TITLE:
**Dimensional Drawing for ivact Model
iVQ-DLWN Electric Actuator**

DOC. NO.: IV-2005 DATE: June 28/2018

DRAWING NO.:

iVQ-DLWN