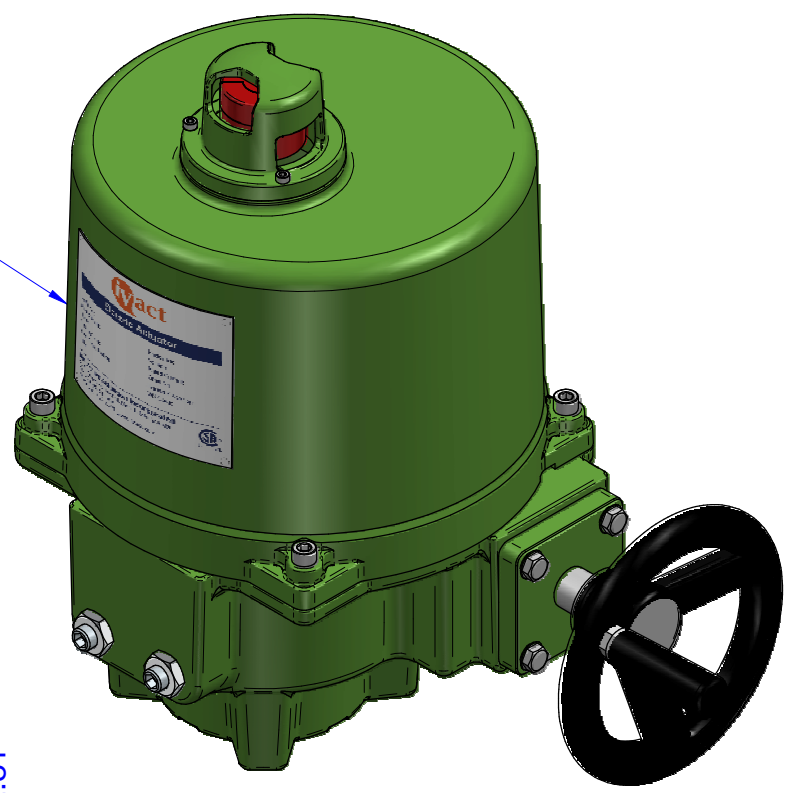
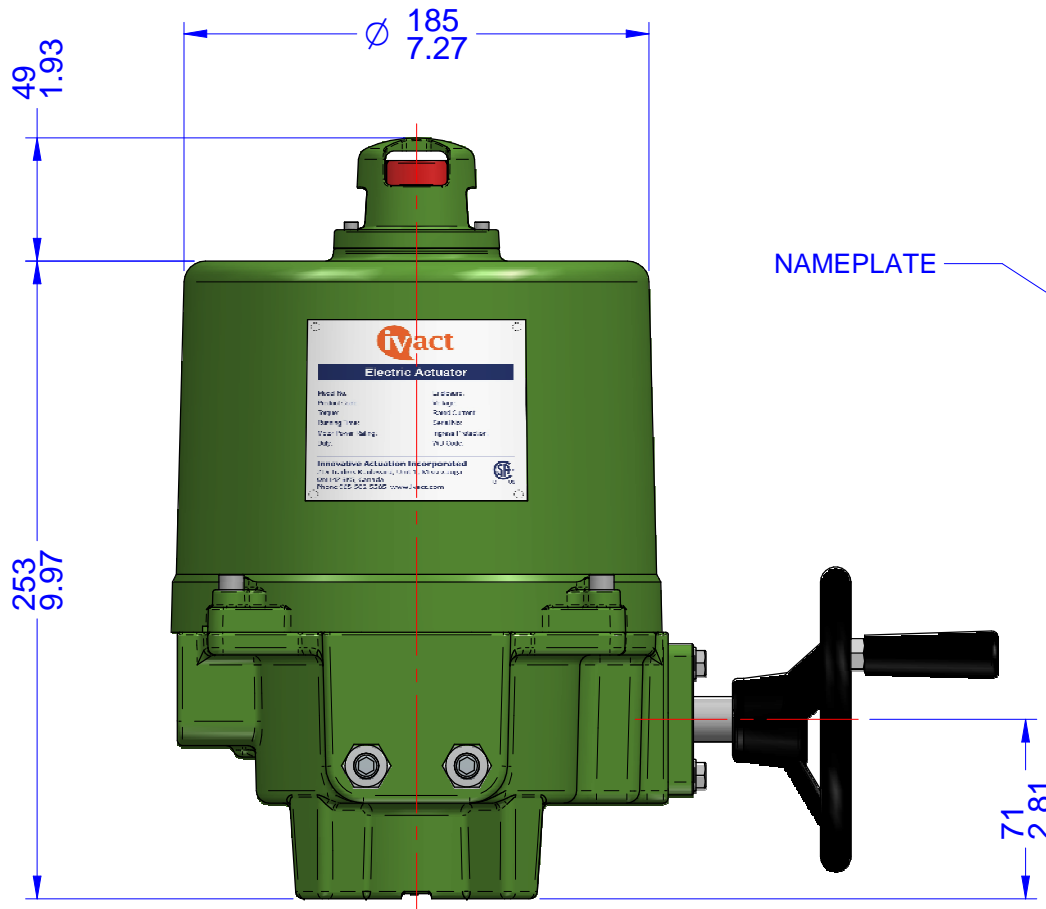
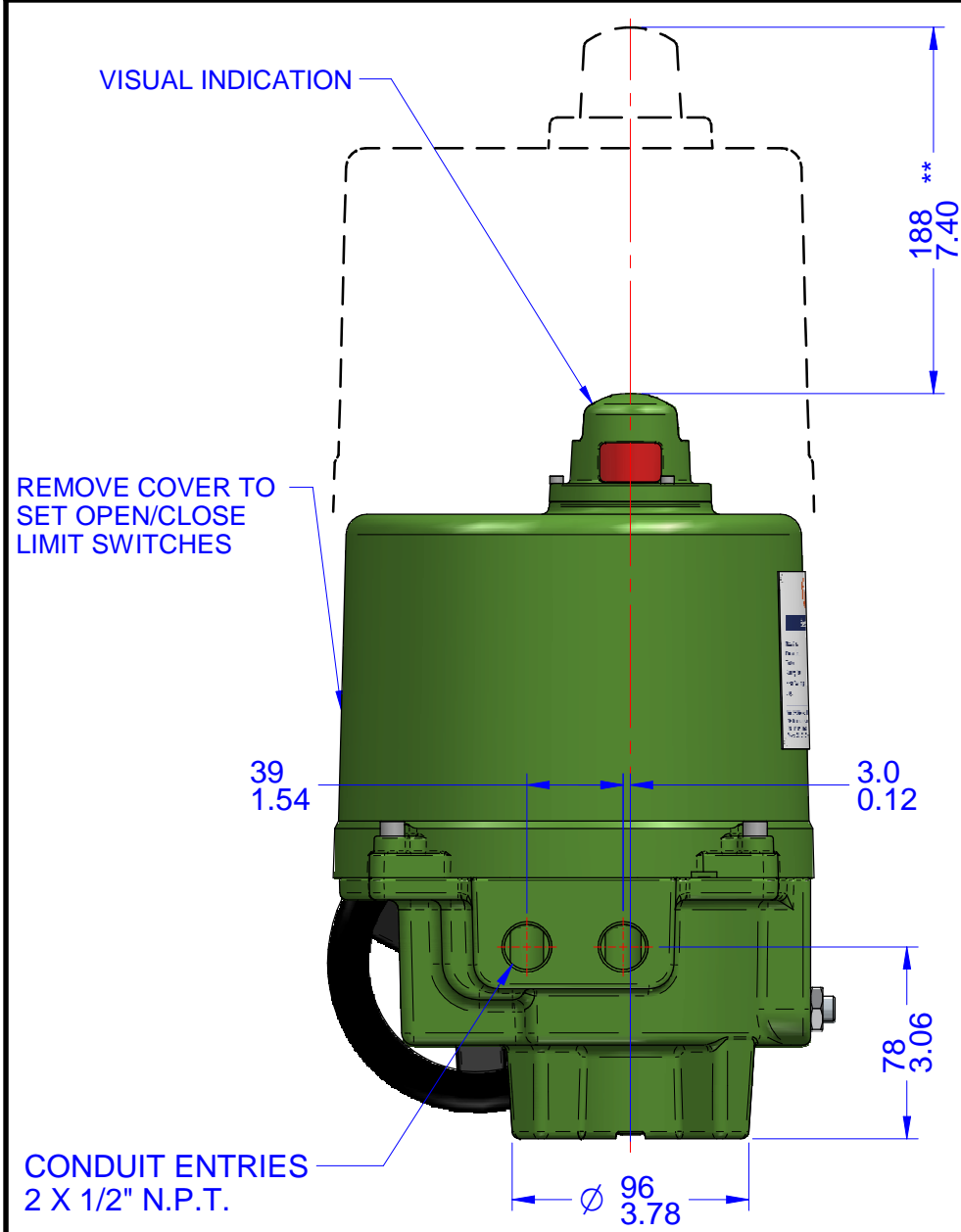
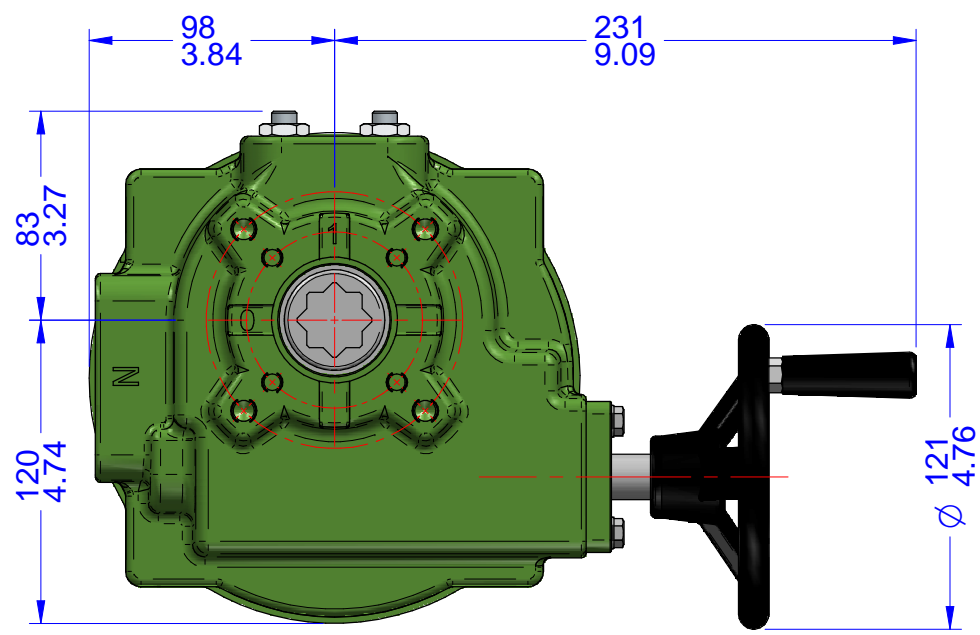
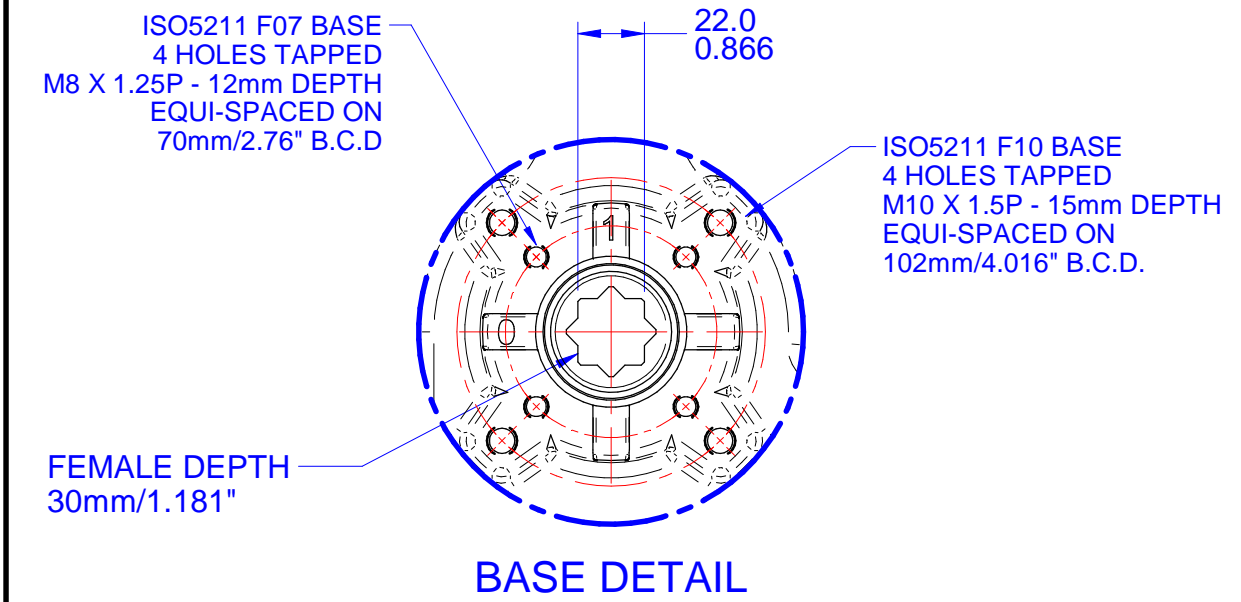


03			
02			
01			
00			
REV	DESCRIPTION	DATE	APVD
REVISION HISTORY			



- Notes:
- 1) All dimensions are in mm/INCHES.
  - 2) Actuator shown is in the fully clockwise closed position.
  - 3) Enclosure - Watertight CSA Nema 4X.
  - 4) \*\* Designates cover removal allowance.



**ivact**  
**Innovative Actuation Incorporated**  
 1-215 Traders Blvd. Mississauga, Ontario Canada L4Z-3K5 www.ivact.com

TITLE:  
**Dimensional Drawing for ivact Model  
 iVQ-EHWN Electric Actuator**

DOC. NO.: IV-2006      DATE: July 9/2018

DRAWING NO.:

**iVQ-EHWN**