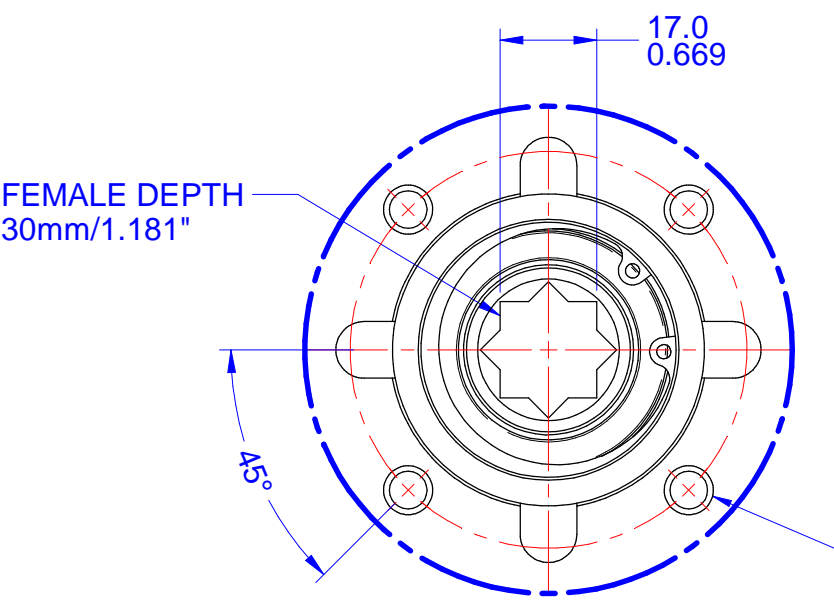
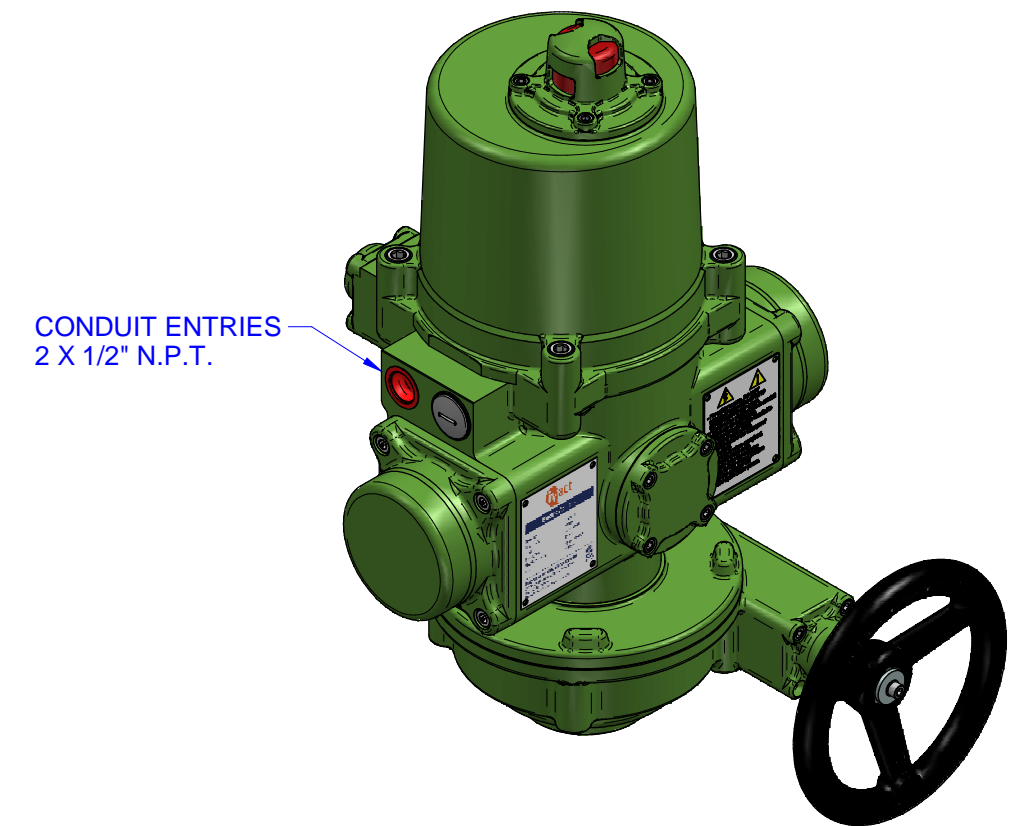
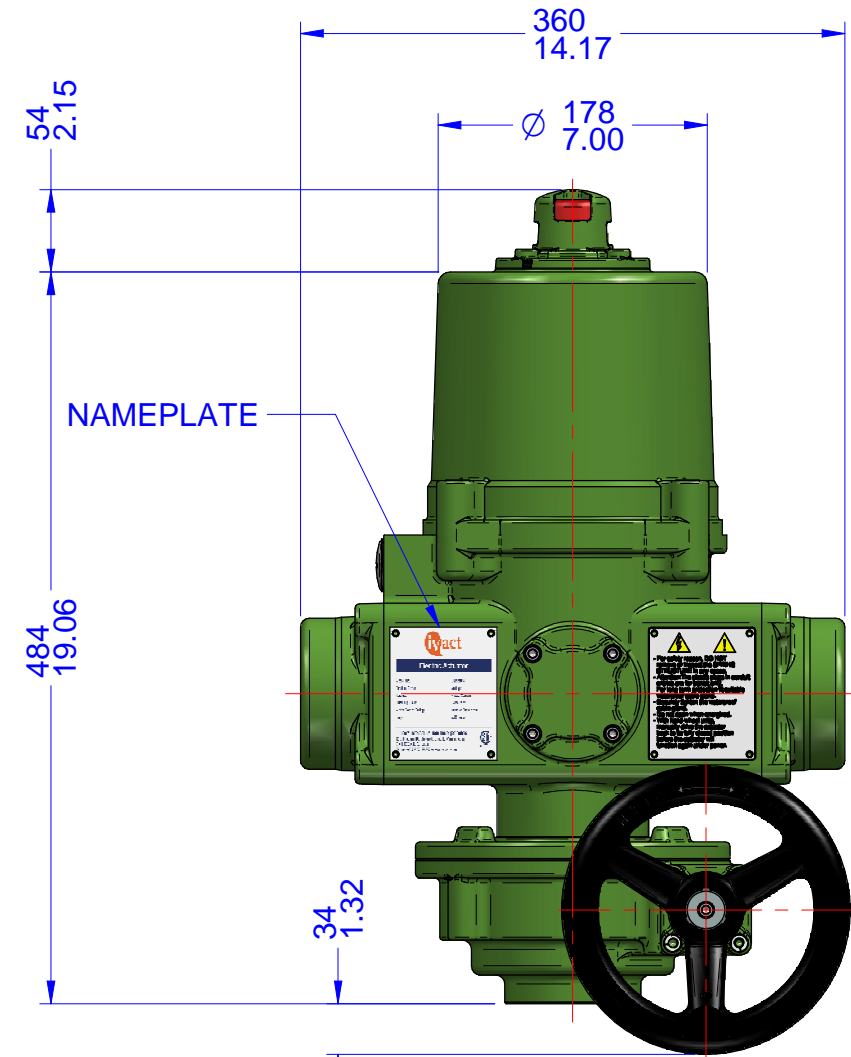
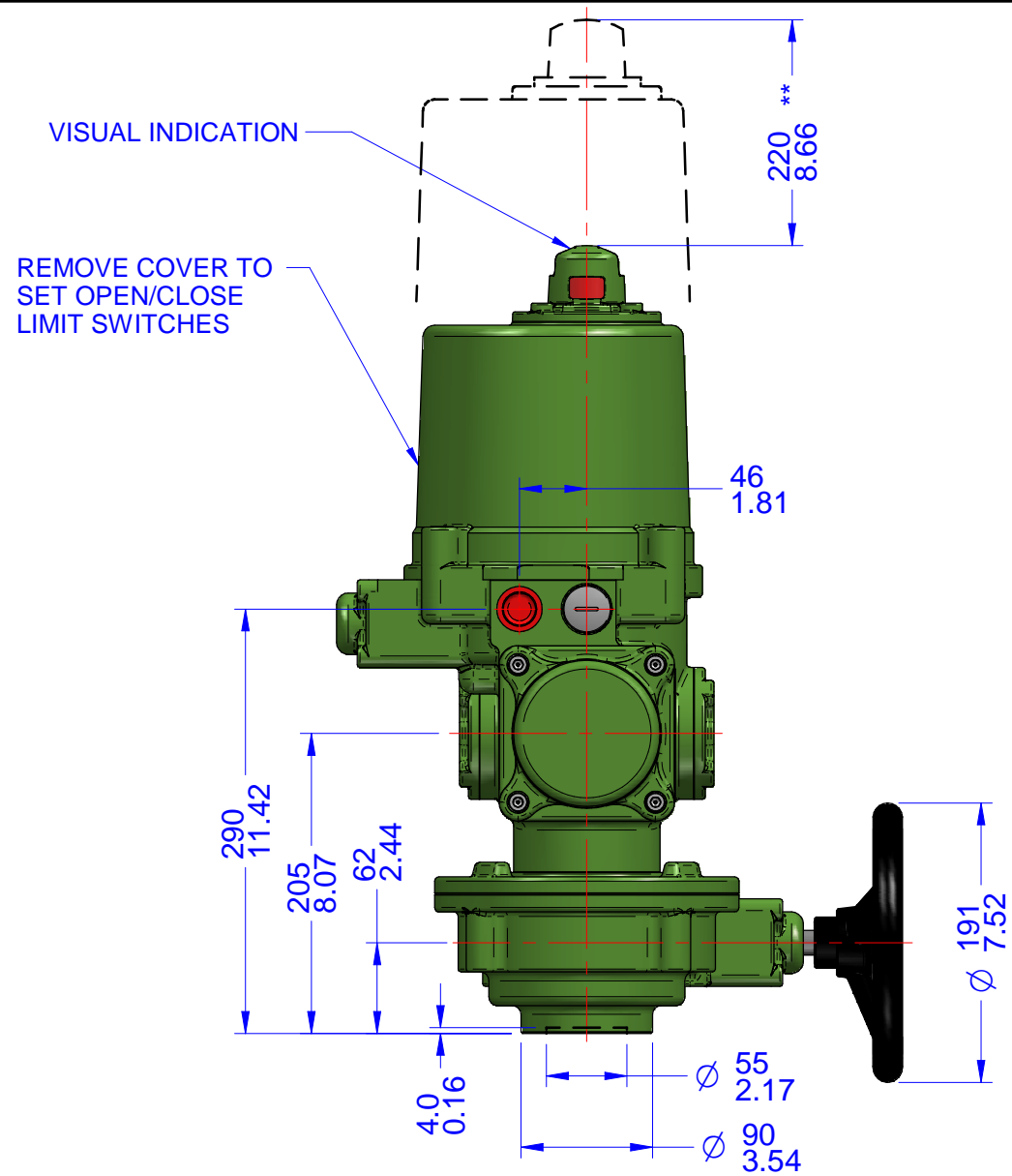
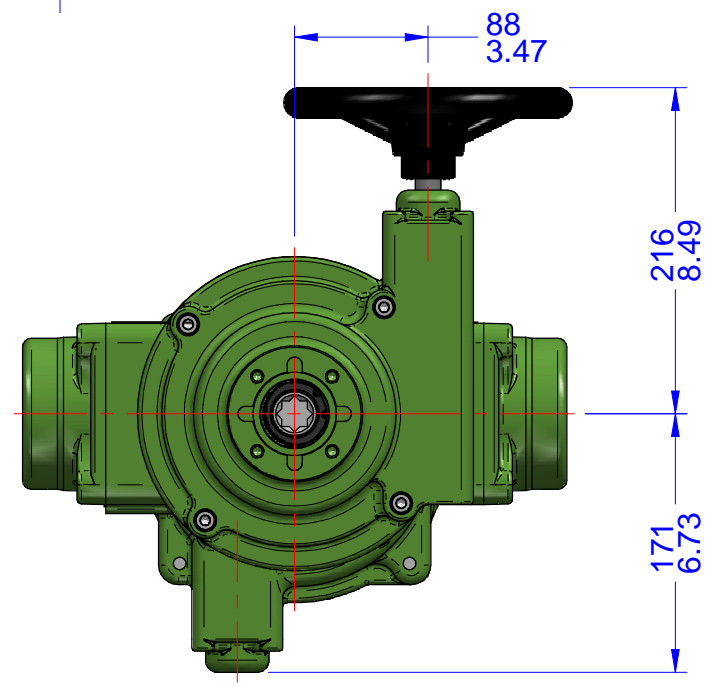


03			
02			
01			
00			
REV	DESCRIPTION	DATE	APVD
REVISION HISTORY			




**BASE DETAIL**

ISO5211 F07 BASE  
4 HOLES TAPPED  
M8 X 1.25P - 12mm DEPTH  
EQUI-SPACED ON  
70mm/2.76" B.C.D.



- Notes:**
- 1) All dimensions are in mm/INCHES.
  - 2) Actuator shown is in the failsafe position of FULLY CLOCKWISE CLOSED.
  - 3) Enclosure - Watertight CSA Nema 4X.
  - 4) \*\* Designates cover removal allowance.



**Innovative Actuation Incorporated**

1-215 Traders Blvd. Mississauga, Ontario Canada L4Z-3K5 [www.ivact.com](http://www.ivact.com)

TITLE:  
Dimensional Drawing for iVact Model iVS-AHWN Spring Return Failsafe Electric Actuator with Manual Override

DOC. NO.: IV-2025	DATE: July 5/2018
----------------------	----------------------

DRAWING NO.:  
**iVS-AHWN-X**