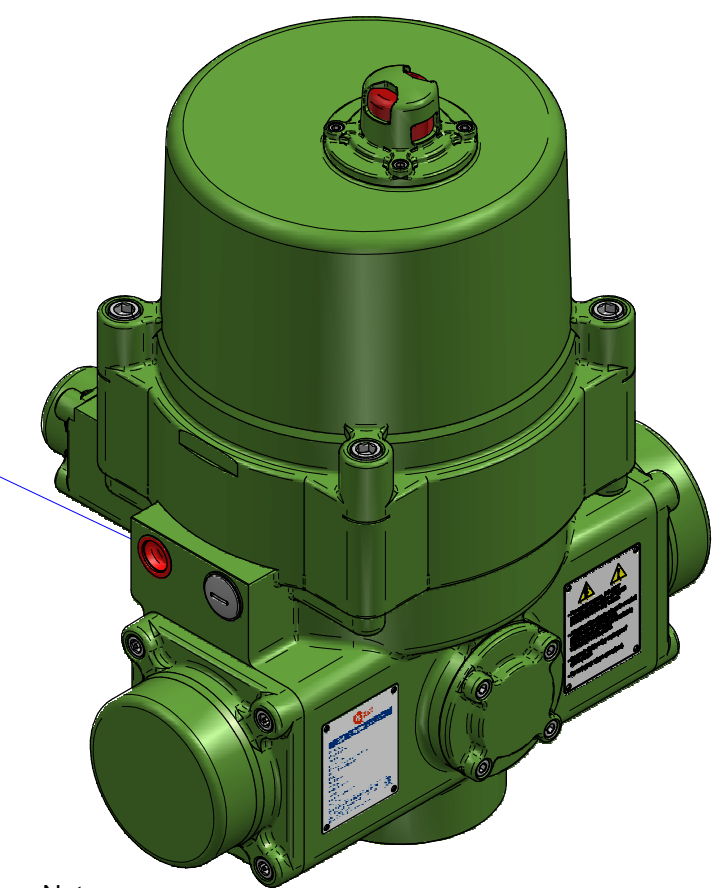
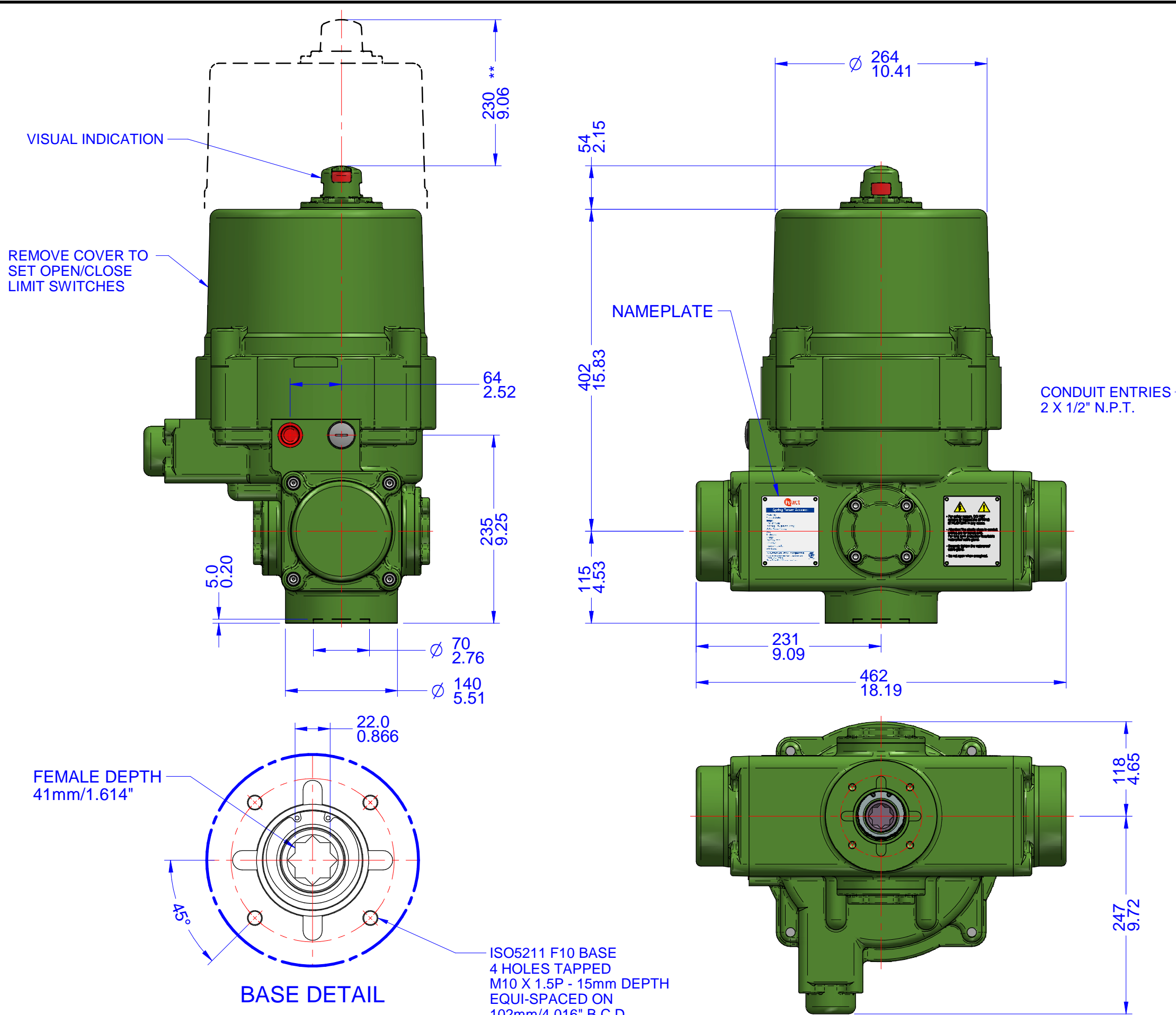


03			
02			
01			
00			
REV	DESCRIPTION	DATE	APVD
REVISION HISTORY			



- Notes:**
- 1) All dimensions are in mm/INCHES.
 - 2) Actuator shown is in the failsafe position of FULLY CLOCKWISE CLOSED.
 - 3) Enclosure - Watertight CSA Nema 4X.
 - 4) ** Designates cover removal allowance.

ivact
Innovative Actuation Incorporated
 1-215 Traders Blvd. Mississauga, Ontario Canada L4Z-3K5 www.ivact.com

TITLE:
Dimensional Drawing for iVact Model iVS-BNWN
Spring Return Failsafe Electric Actuator

DOC. NO.: IV-2026 DATE: June 28/2018

DRAWING NO.: **iVS-BNWN-X**