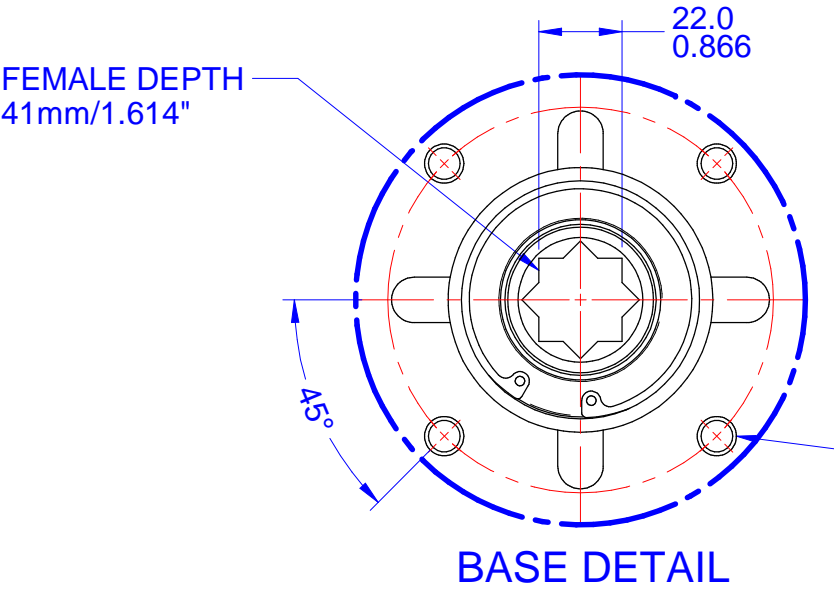
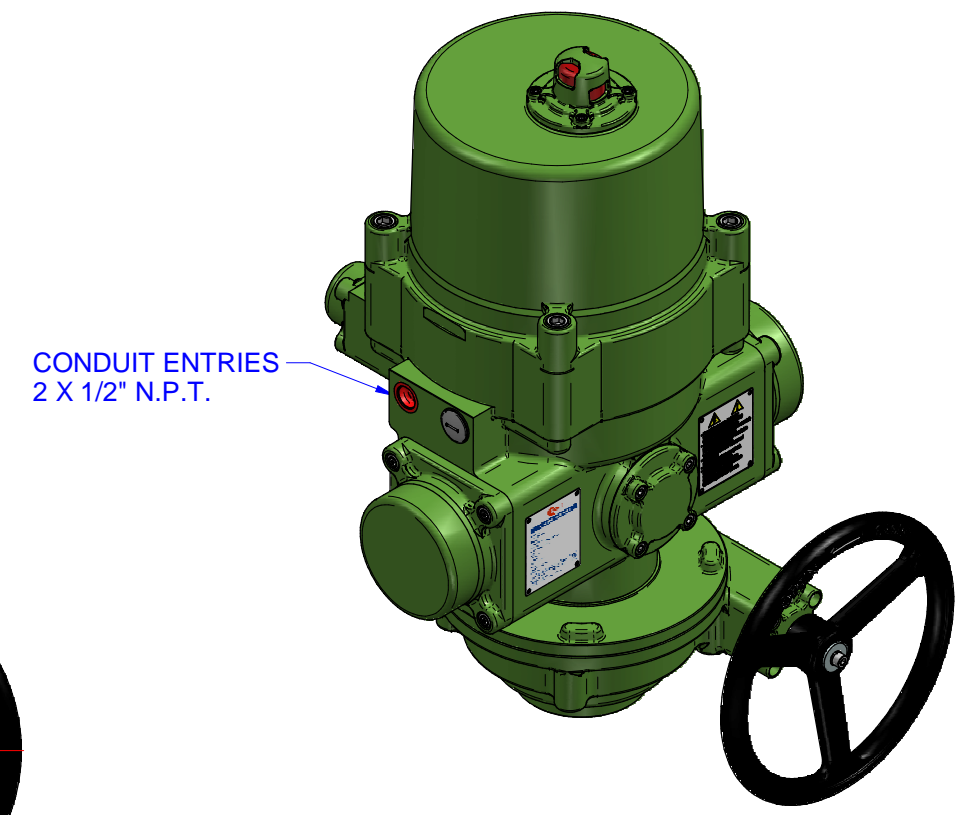
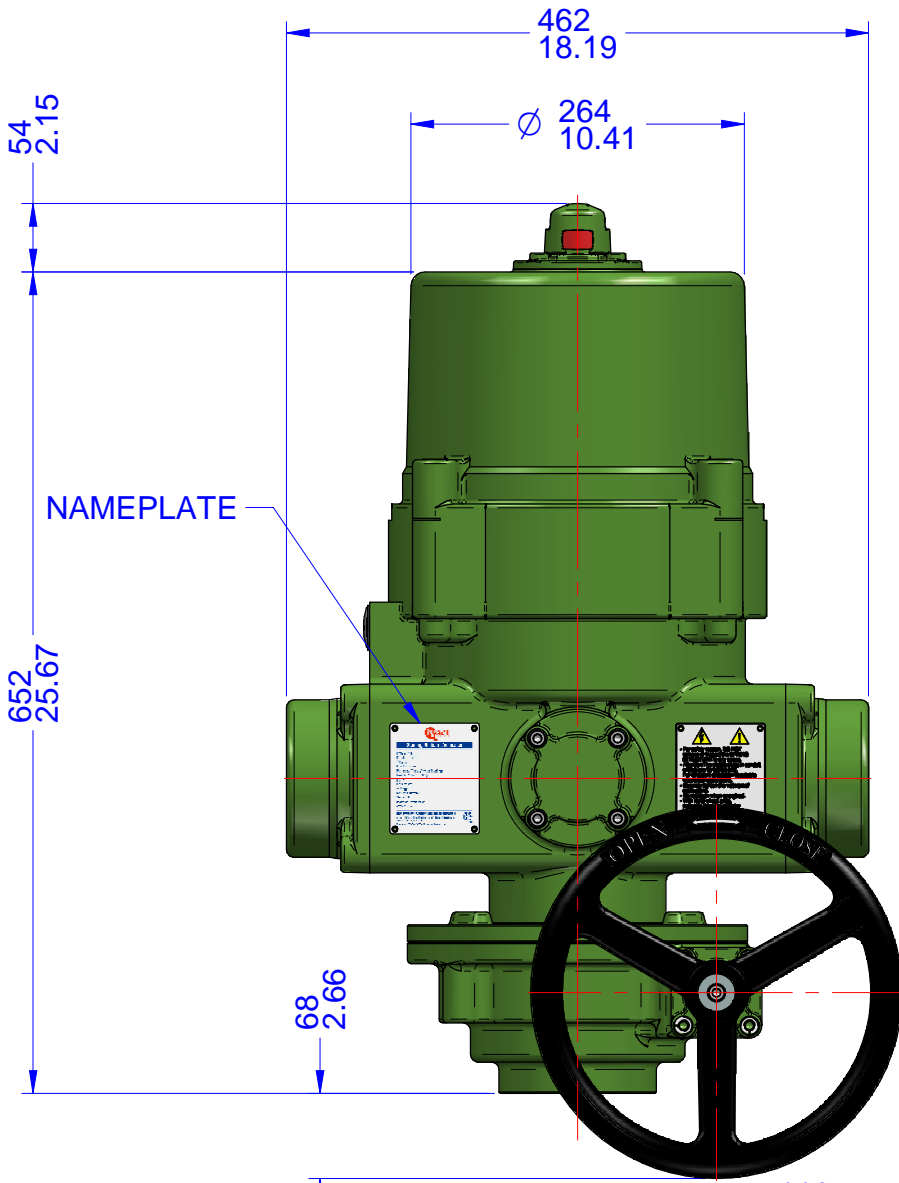
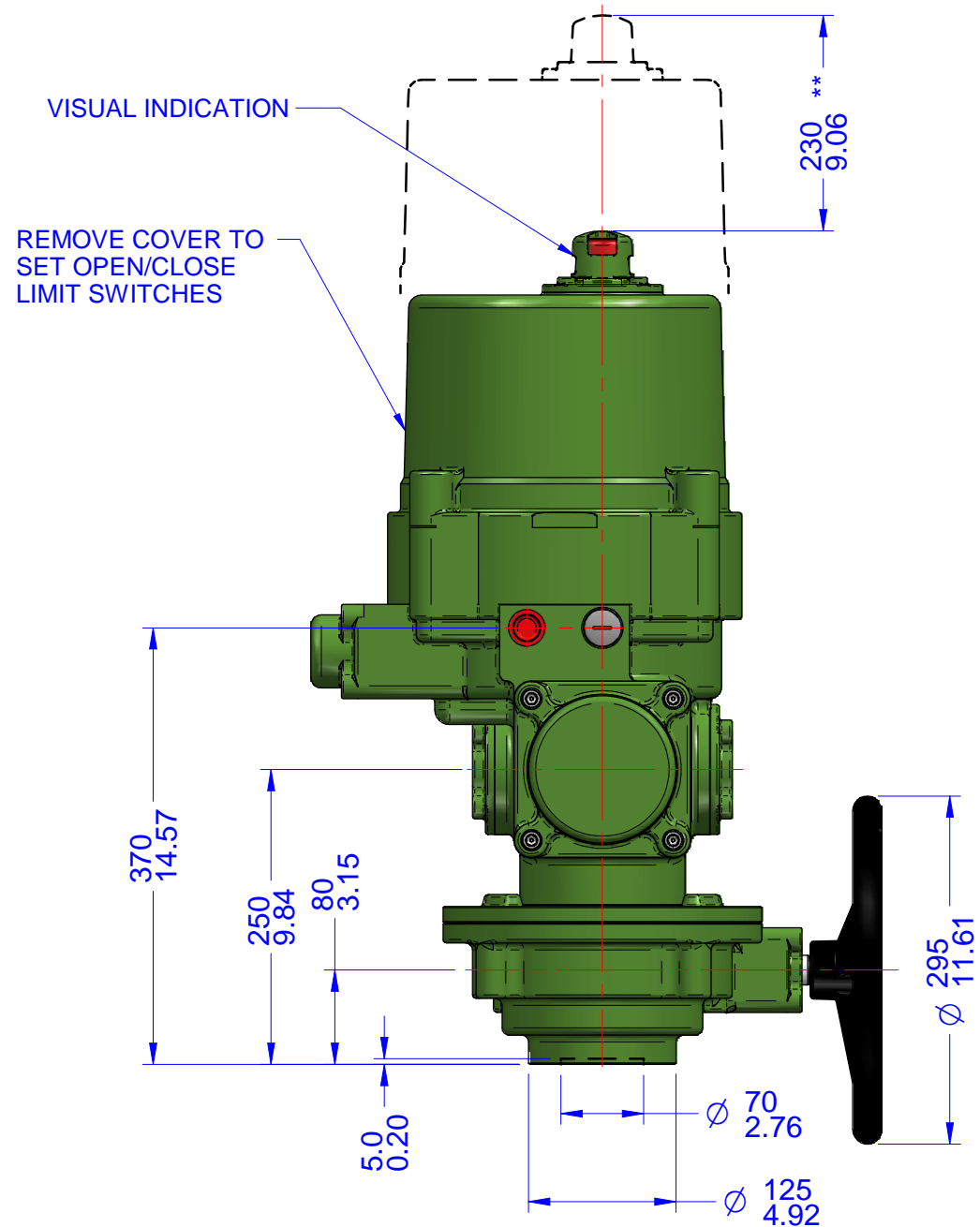
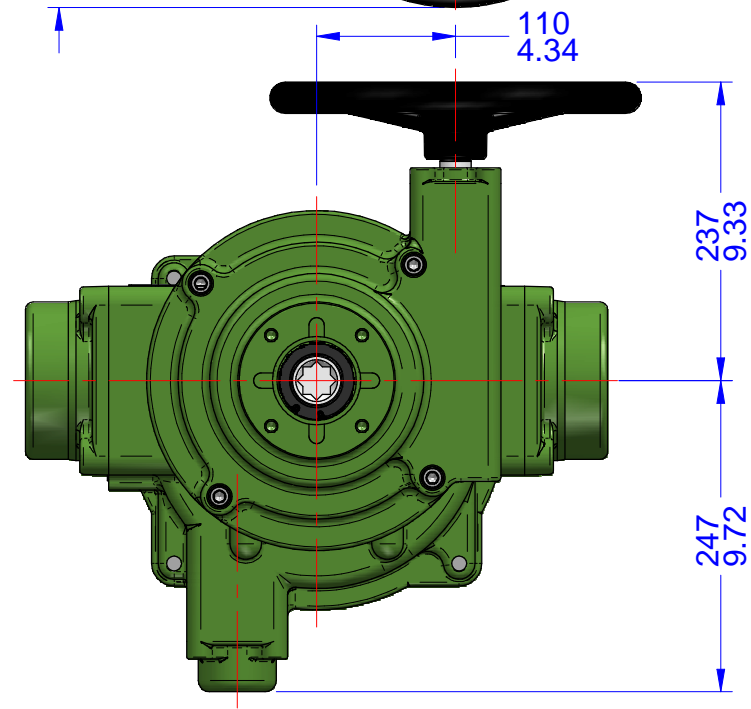



| 03 | | | |
|------------------|-------------|------|------|
| 02 | | | |
| 01 | | | |
| 00 | | | |
| REV | DESCRIPTION | DATE | APVD |
| REVISION HISTORY | | | |



ISO5211 F10 BASE
4 HOLES TAPPED
M10 X 1.5P - 15mm DEPTH
EQUI-SPACED ON
102mm/4.016" B.C.D.



- Notes:
- 1) All dimensions are in mm/INCHES.
 - 2) Actuator shown is in the failsafe position of FULLY CLOCKWISE CLOSED.
 - 3) Enclosure - Watertight CSA Nema 4X.
 - 4) ** Designates cover removal allowance.



Innovative Actuation Incorporated

1-215 Traders Blvd. Mississauga, Ontario Canada L4Z-3K5 www.ivact.com

TITLE:
Dimensional Drawing for iVact Model iVS-BHWN Spring Return Failsafe Electric Actuator with Manual Override

| | |
|----------------------|----------------------|
| DOC. NO.: IV-2027 | DATE: July 5/2018 |
|----------------------|----------------------|

DRAWING NO.:
iVS-BHWN-X