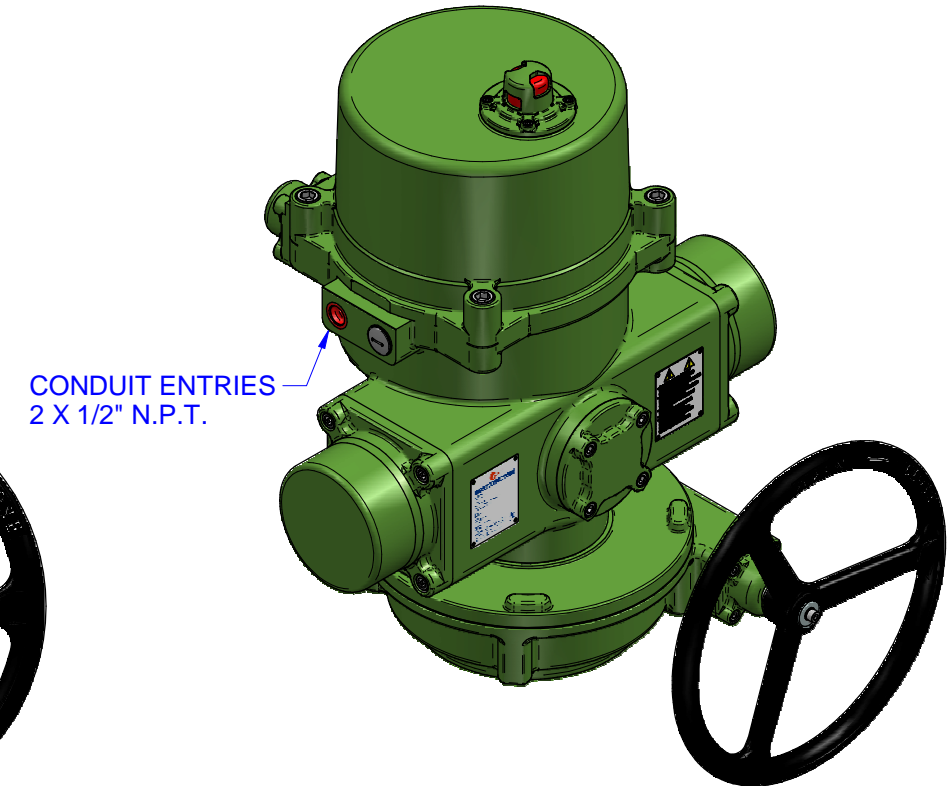
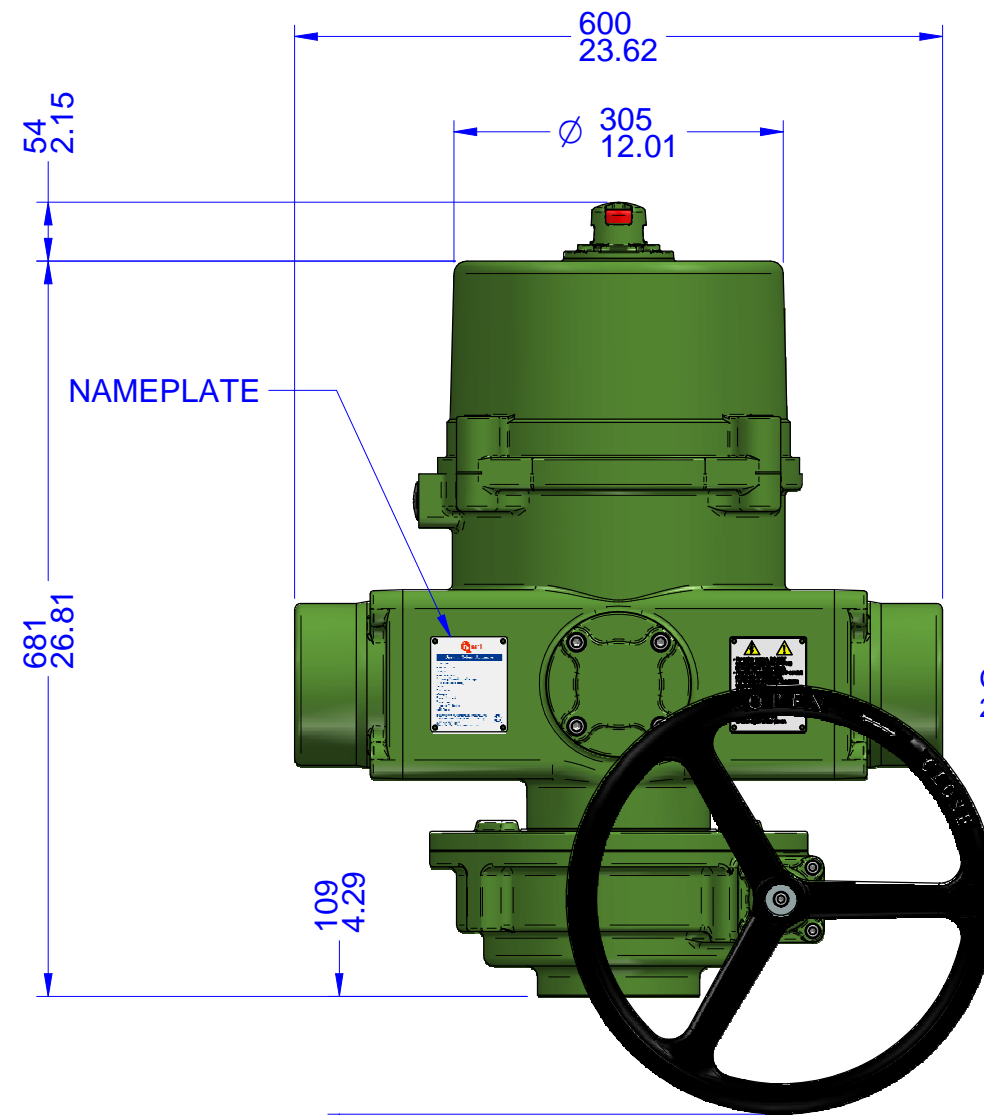
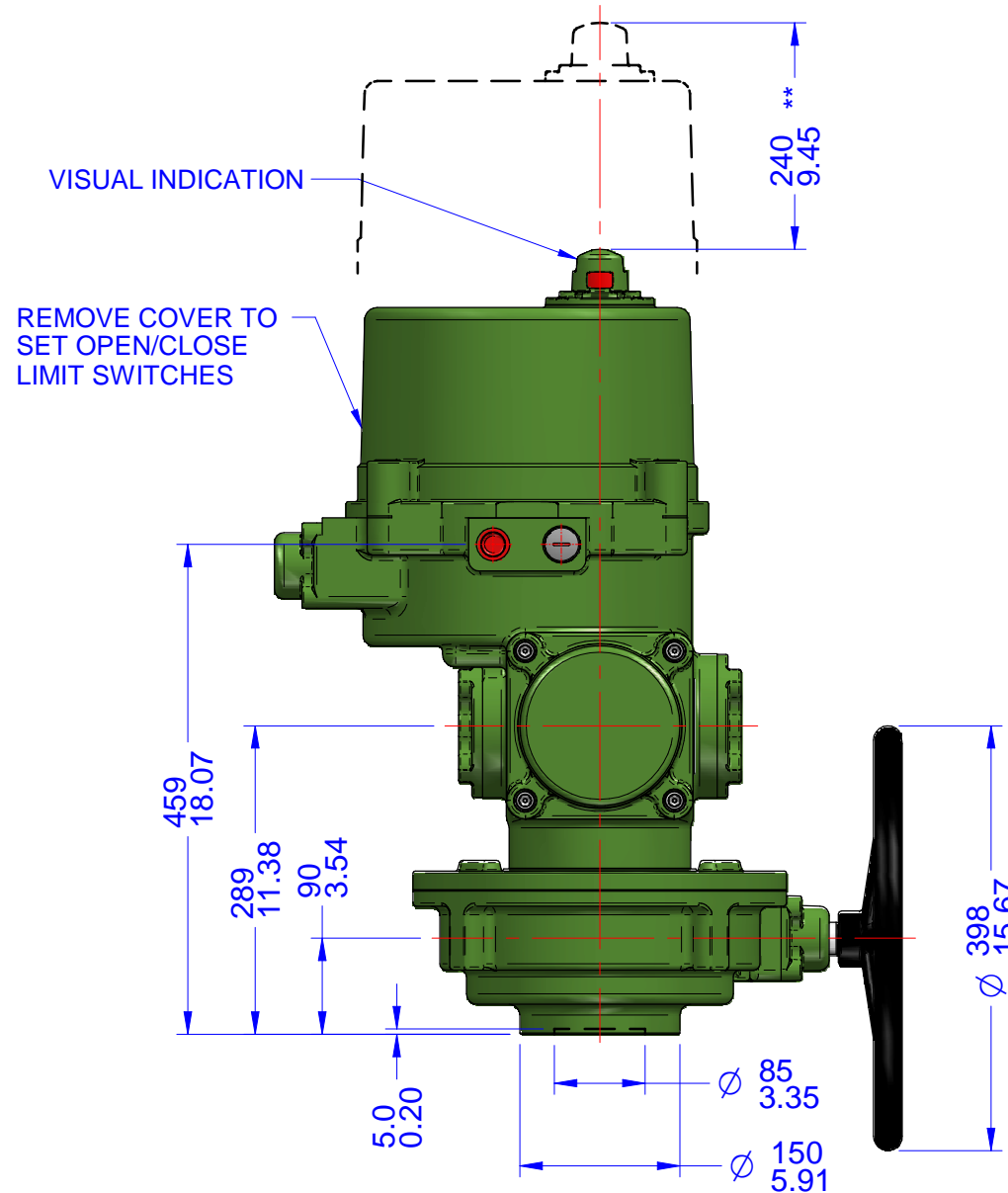
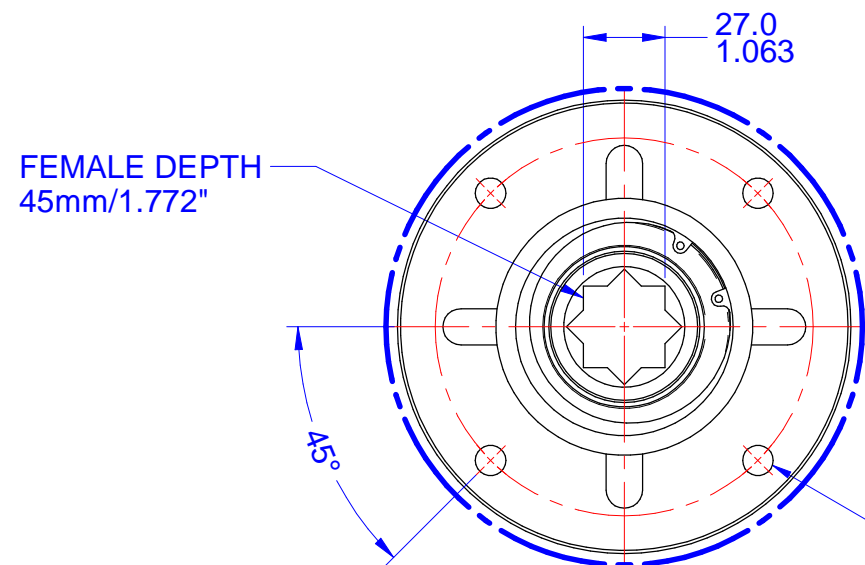


03			
02			
01			
00			
REV	DESCRIPTION	DATE	APVD
REVISION HISTORY			



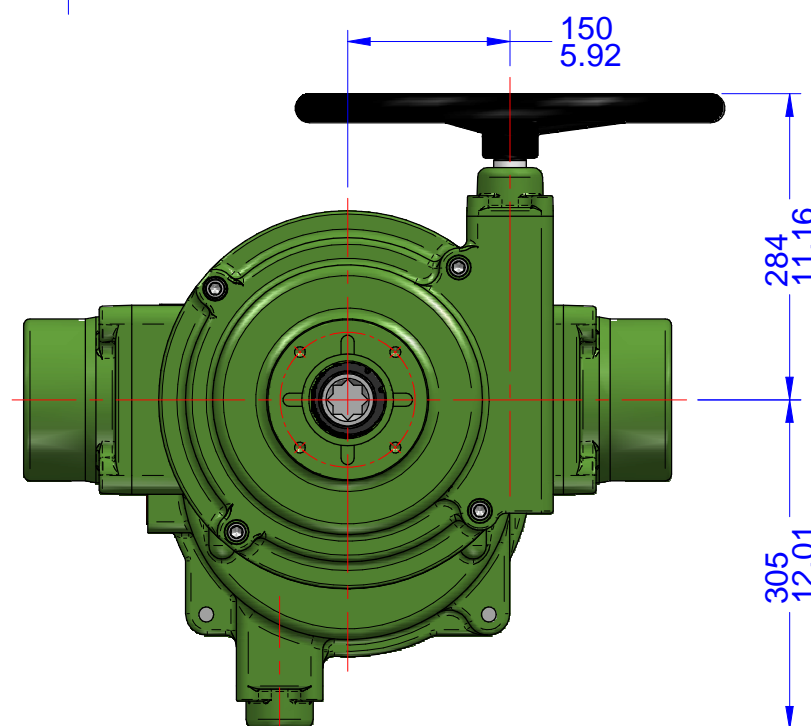
Notes:

- 1) All dimensions are in mm/INCHES.
- 2) Actuator shown is in the failsafe position of FULLY CLOCKWISE CLOSED.
- 3) Enclosure - Watertight CSA Nema 4X.
- 4) ** Designates cover removal allowance.



BASE DETAIL

ISO5211 F12 BASE
 4 HOLES TAPPED
 M12 X 1.75P - 18mm DEPTH
 EQUI-SPACED ON
 125mm/4.921" B.C.D.



Innovative Actuation Incorporated

1-215 Traders Blvd. Mississauga, Ontario Canada L4Z-3K5 www.ivact.com

TITLE:

Dimensional Drawing for iVact Model iVS-DHWN Spring
 Return Failsafe Electric Actuator with Manual Override

DOC. NO.: IV-2031

DATE: July 5/2018

DRAWING NO.:

iVS-DHWN-X