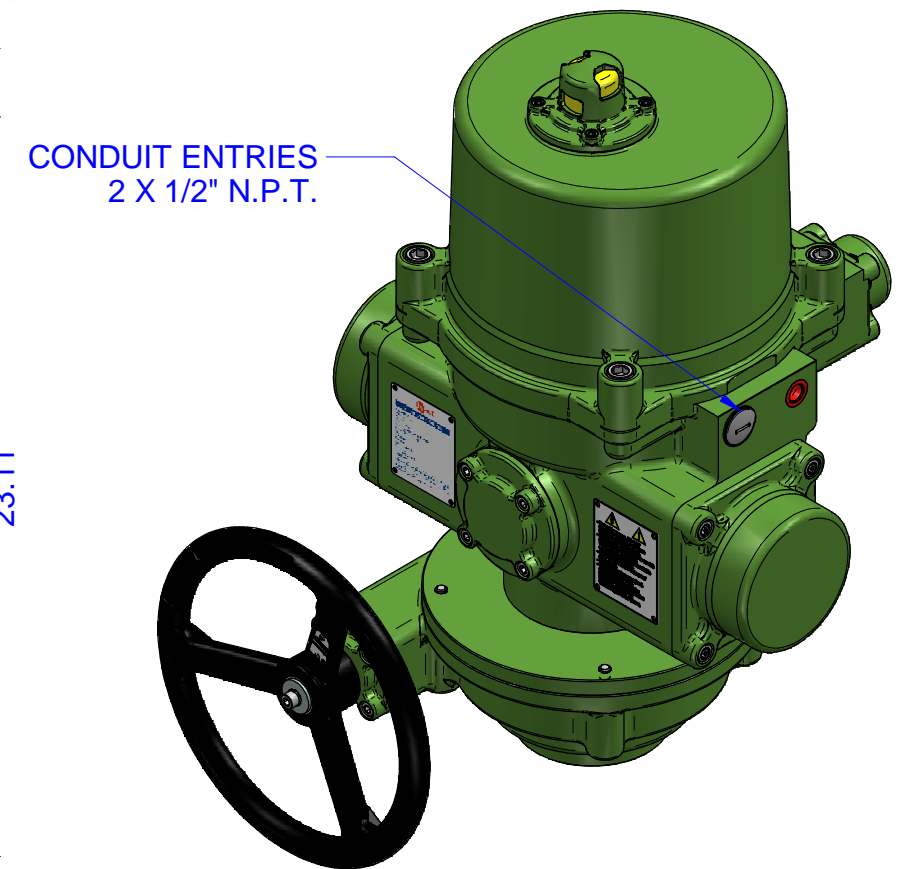
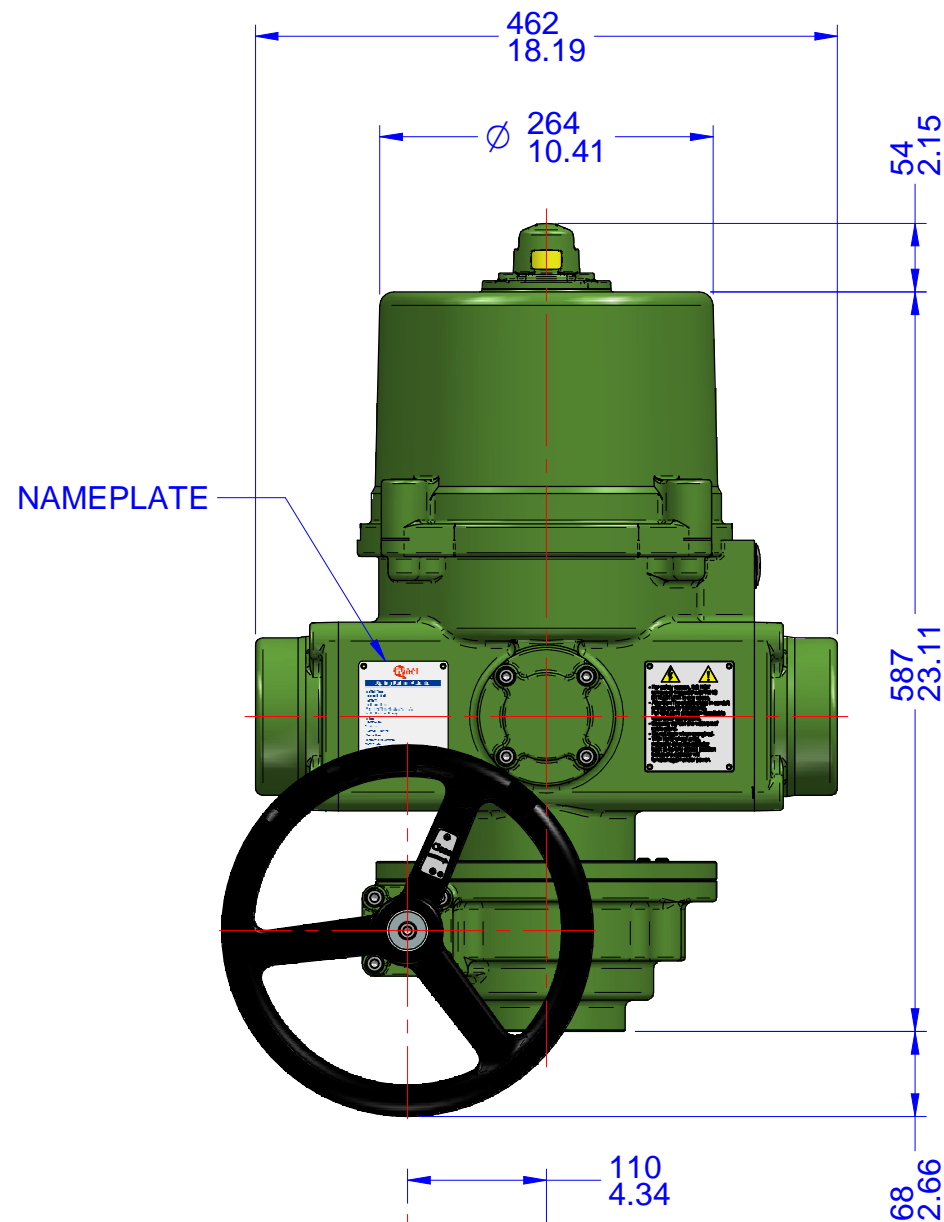
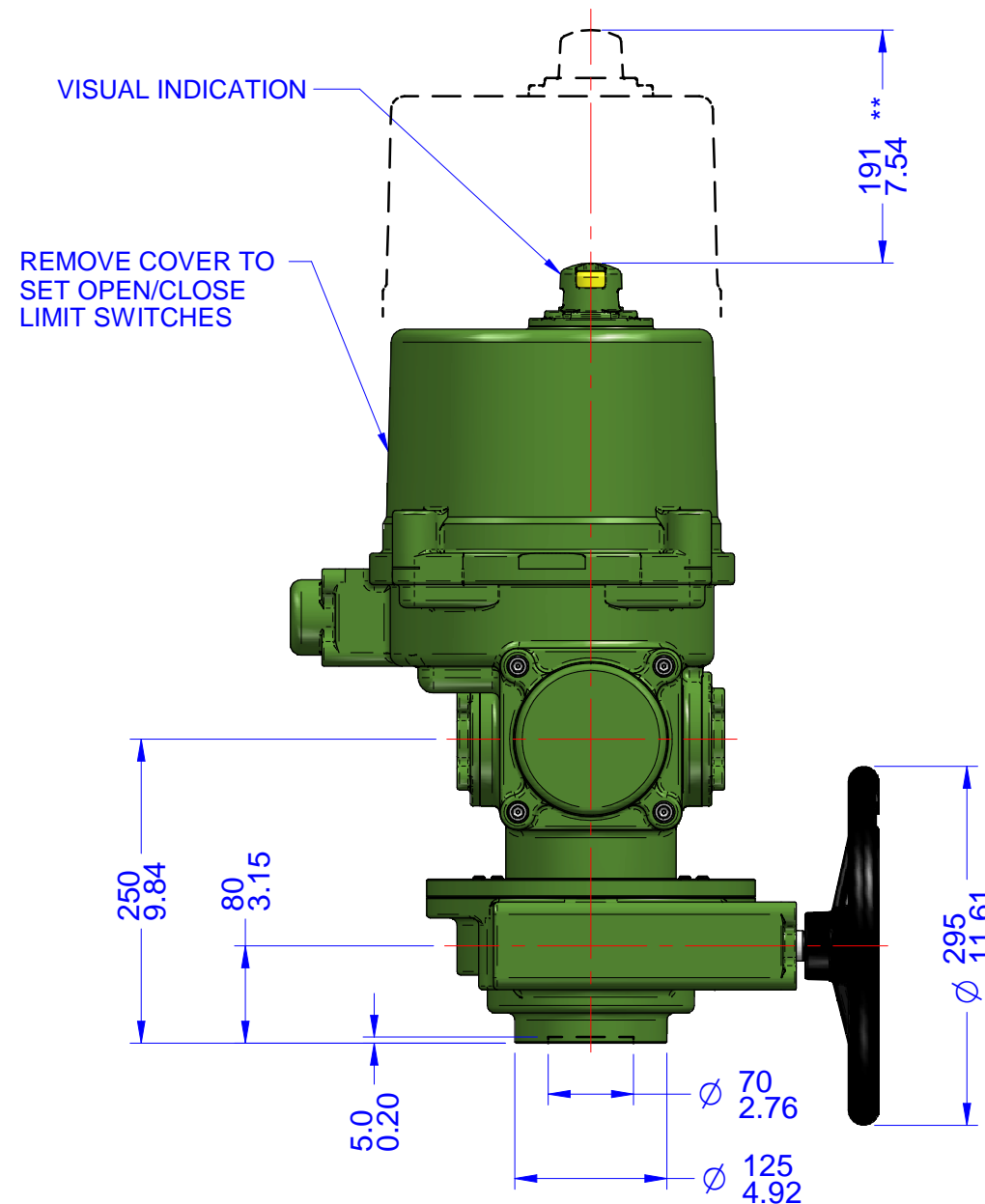
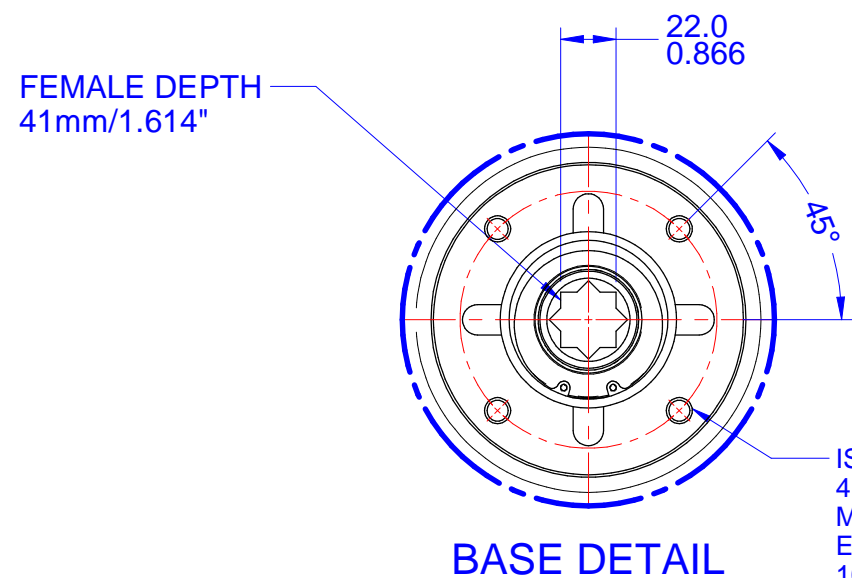


03			
02			
01			
00			
REV	DESCRIPTION	DATE	APVD
REVISION HISTORY			

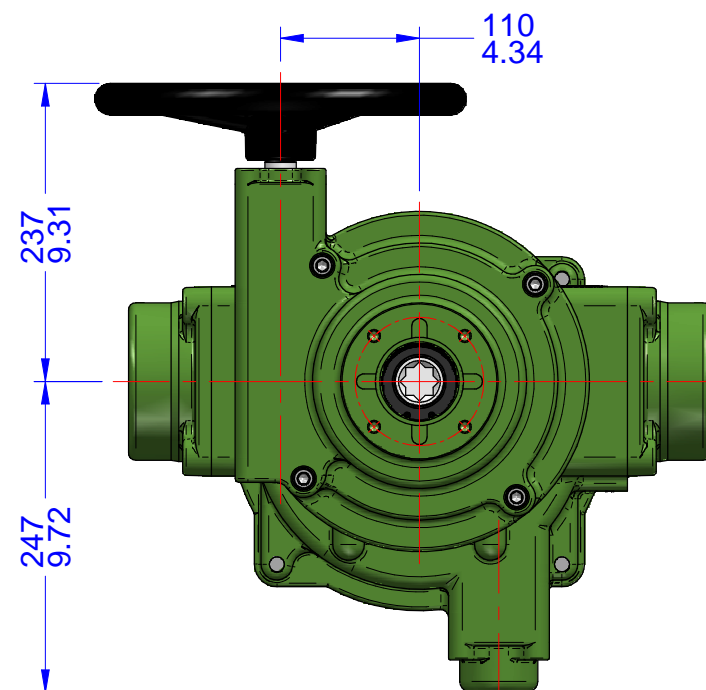


**Notes:**

- 1) All dimensions are in mm/INCHES.
- 2) Actuator shown is in the failsafe position of FULLY COUNTERCLOCKWISE OPEN.
- 3) Enclosure - Watertight CSA Nema 4X.
- 4) \*\* Designates cover removal allowance.



ISO5211 F10 BASE  
 4 HOLES TAPPED  
 M10 X 1.5P - 15mm DEPTH  
 EQUI-SPACED ON  
 102mm/4.016" B.C.D.



**Innovative Actuation Incorporated**

1-215 Traders Blvd. Mississauga, Ontario Canada L4Z-3K5 www.ivact.com

TITLE:  
 Dimensional Drawing for ivact Model iVS-BHWN Spring  
 Return Failsafe Electric Actuator with Manual Override  
 (Fails Counter Clockwise)

DOC. NO.: IV-2035      DATE: July 5/2018

DRAWING NO.: **iVS-BHWN-Y**