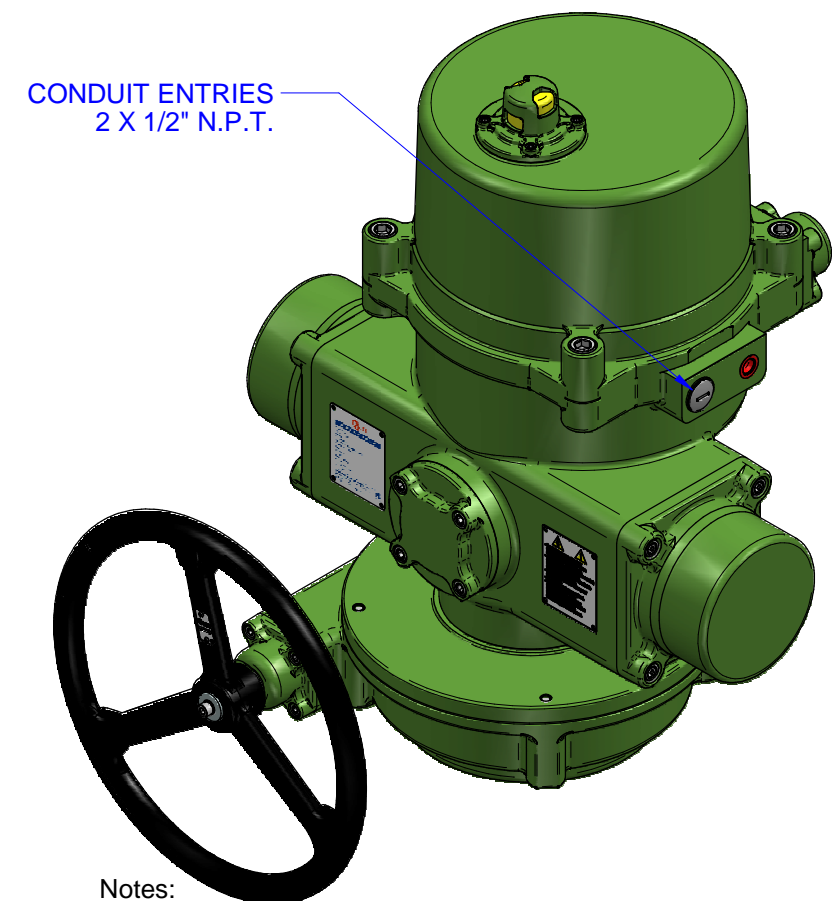
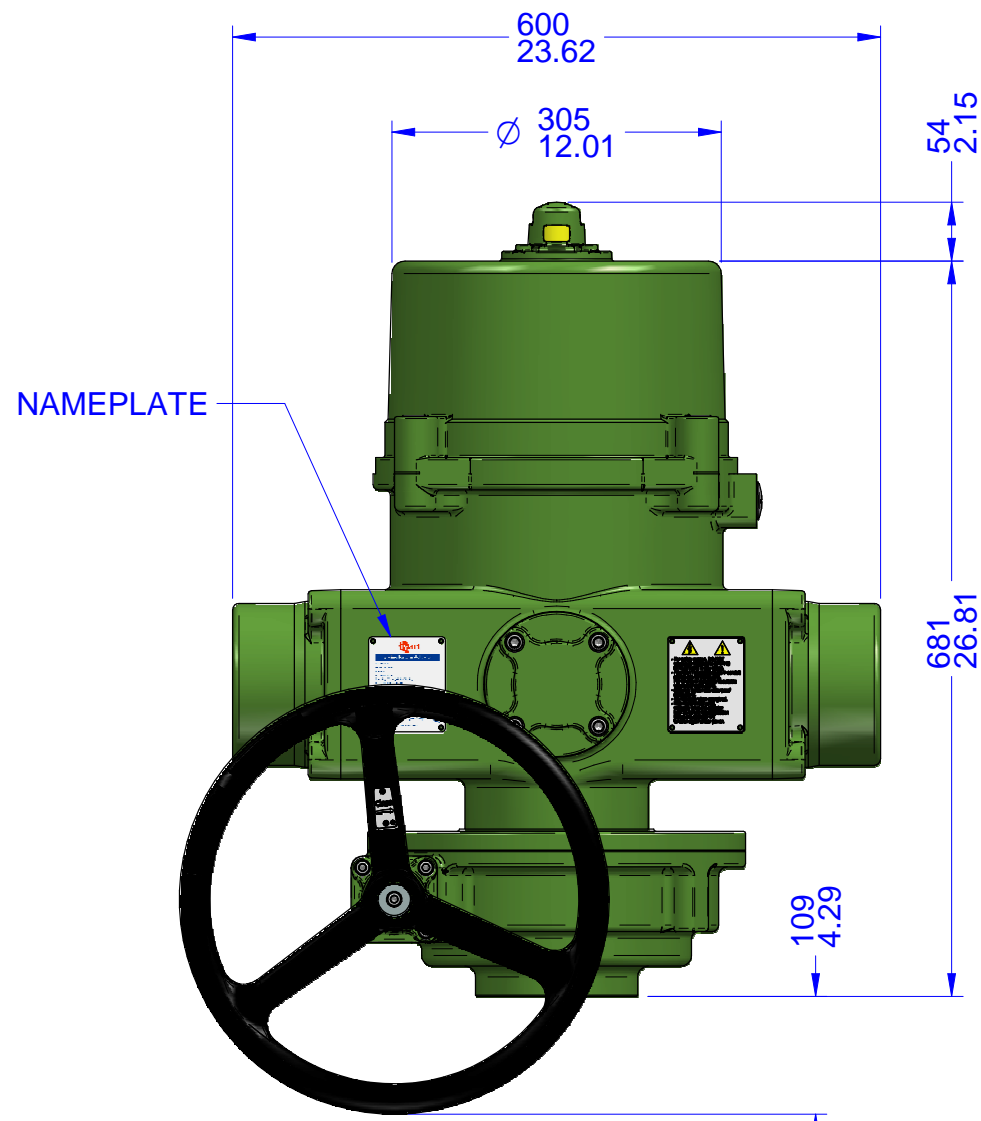
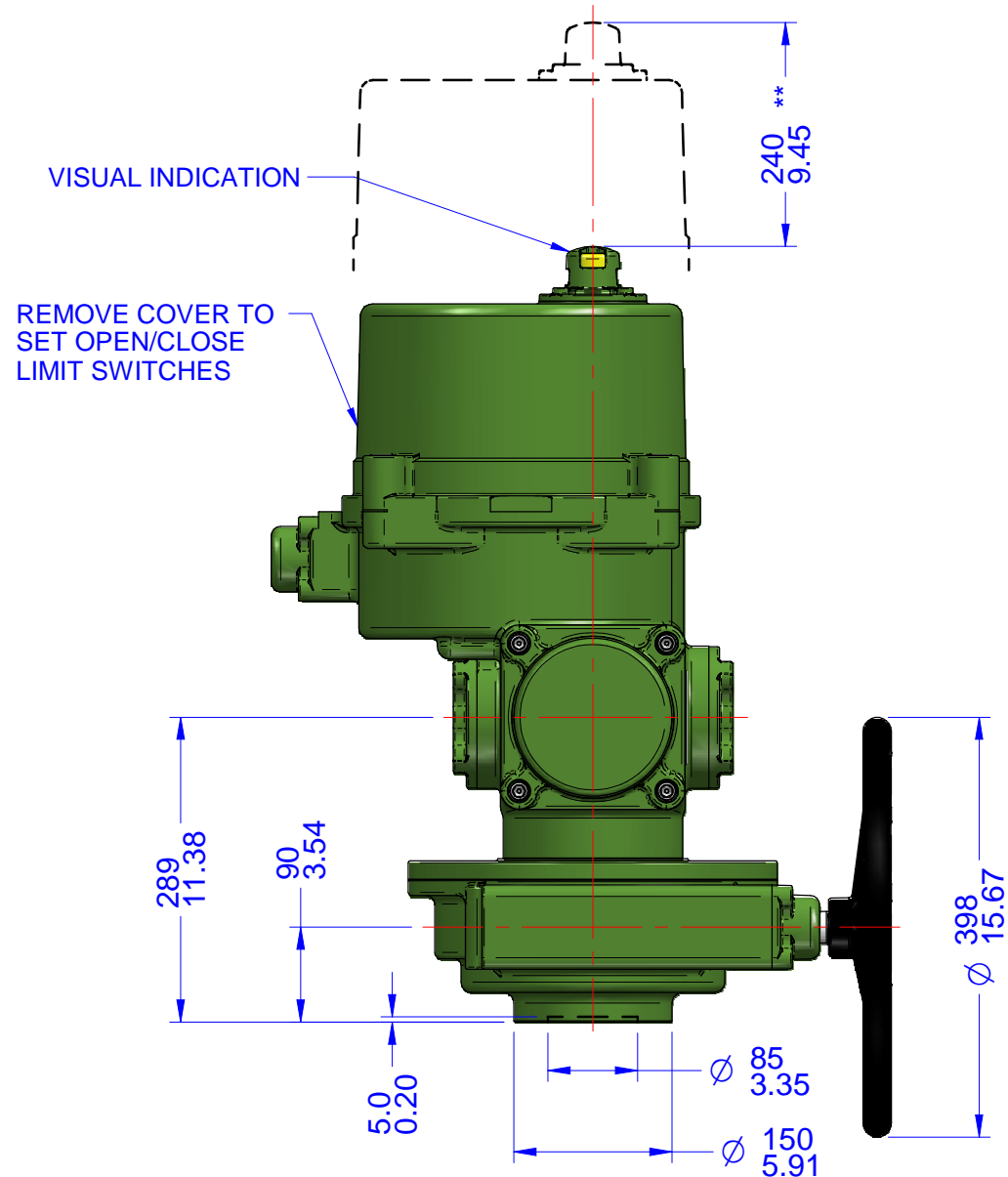
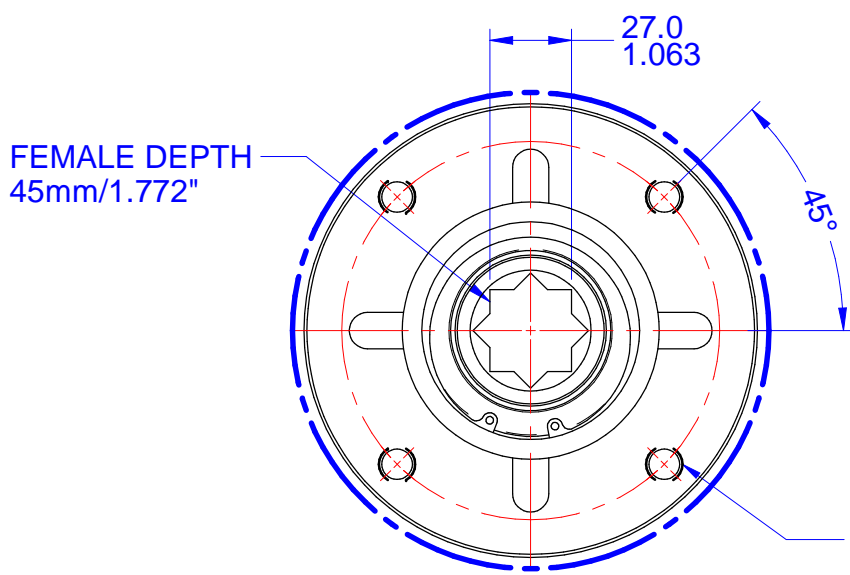


03			
02			
01			
00			
REV	DESCRIPTION	DATE	APVD
REVISION HISTORY			

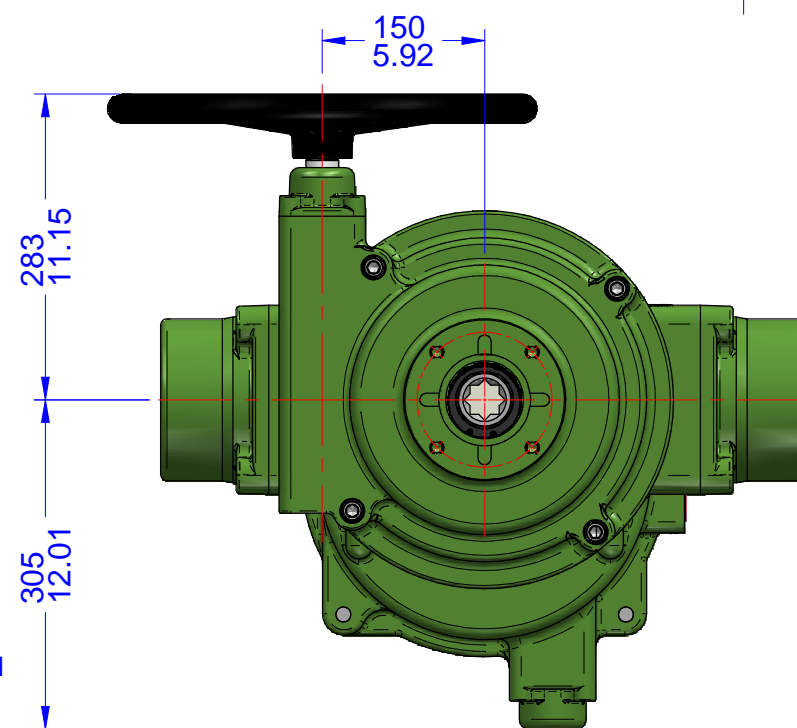


- Notes:
- 1) All dimensions are in mm/INCHES.
 - 2) Actuator shown is in the failsafe position of FULLY COUNTERCLOCKWISE OPEN.
 - 3) Enclosure - Watertight CSA Nema 4X.
 - 4) ** Designates cover removal allowance.



BASE DETAIL

ISO5211 F12 BASE
4 HOLES TAPPED
M12 X 1.75P - 18mm DEPTH
EQUI-SPACED ON
125mm/4.921\" B.C.D.



Innovative Actuation Incorporated

1-215 Traders Blvd. Mississauga, Ontario Canada L4Z-3K5 www.ivact.com

TITLE:
Dimensional Drawing for iVact Model iVS-CHWN Spring
Return Failsafe Electric Actuator with Manual Override
(Fails Counter Clockwise)

DOC. NO.: IV-2039 DATE: July 5/2018

DRAWING NO.: **iVS-DHWN-Y**