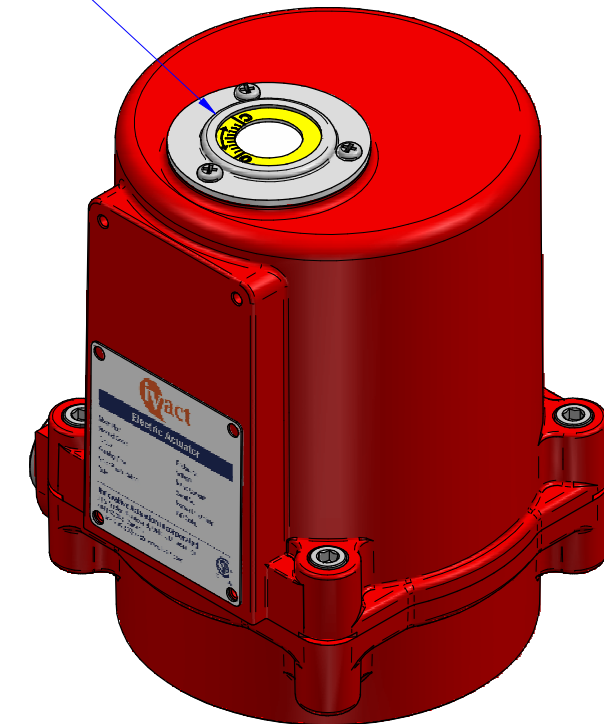
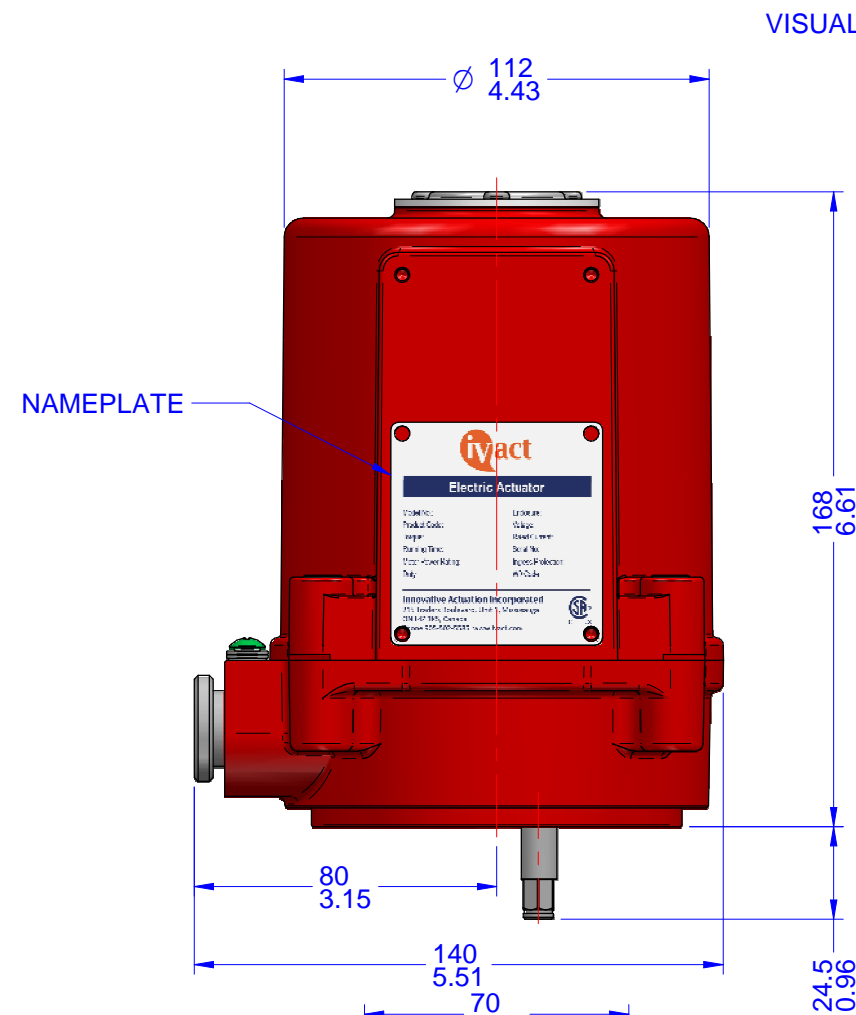
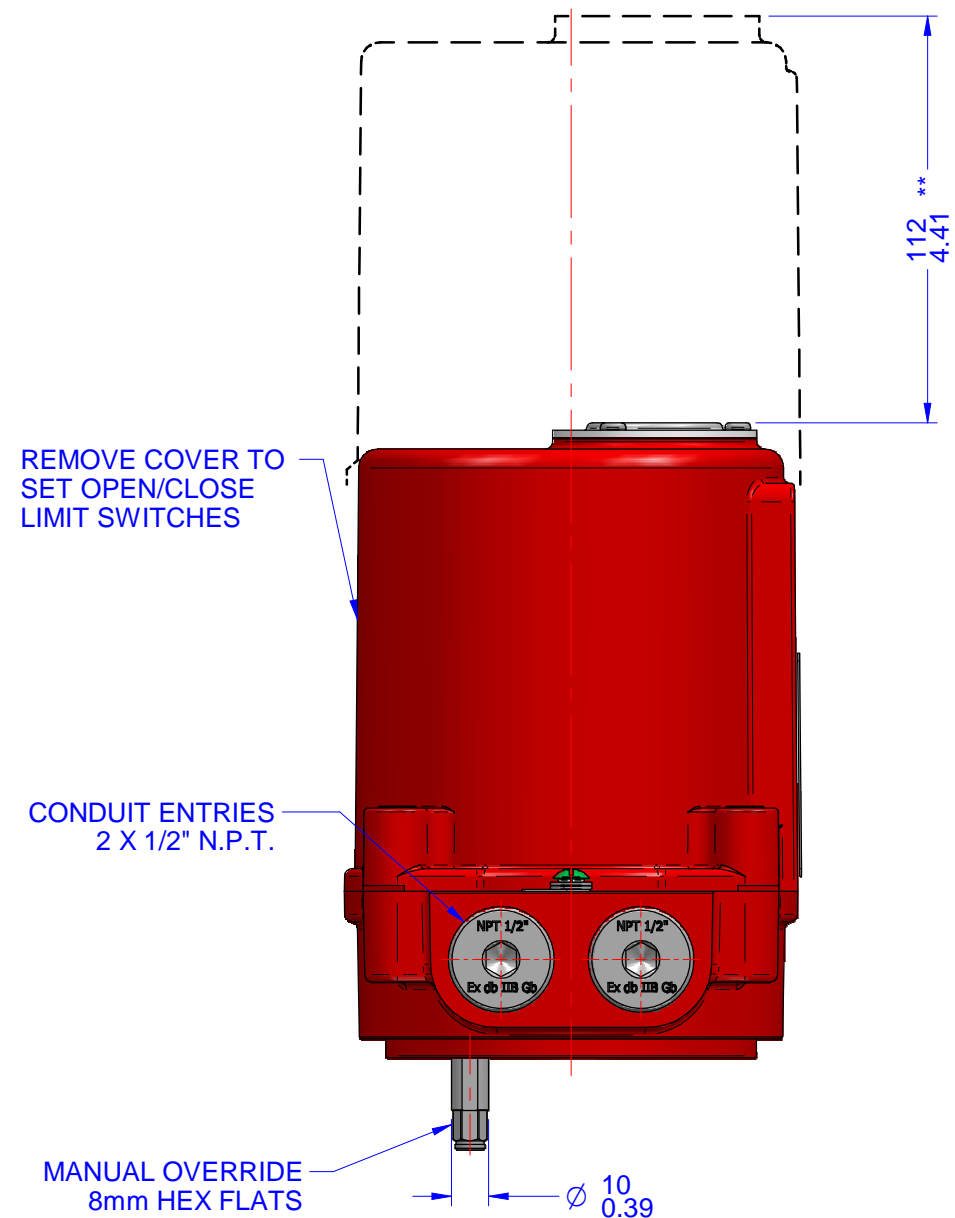
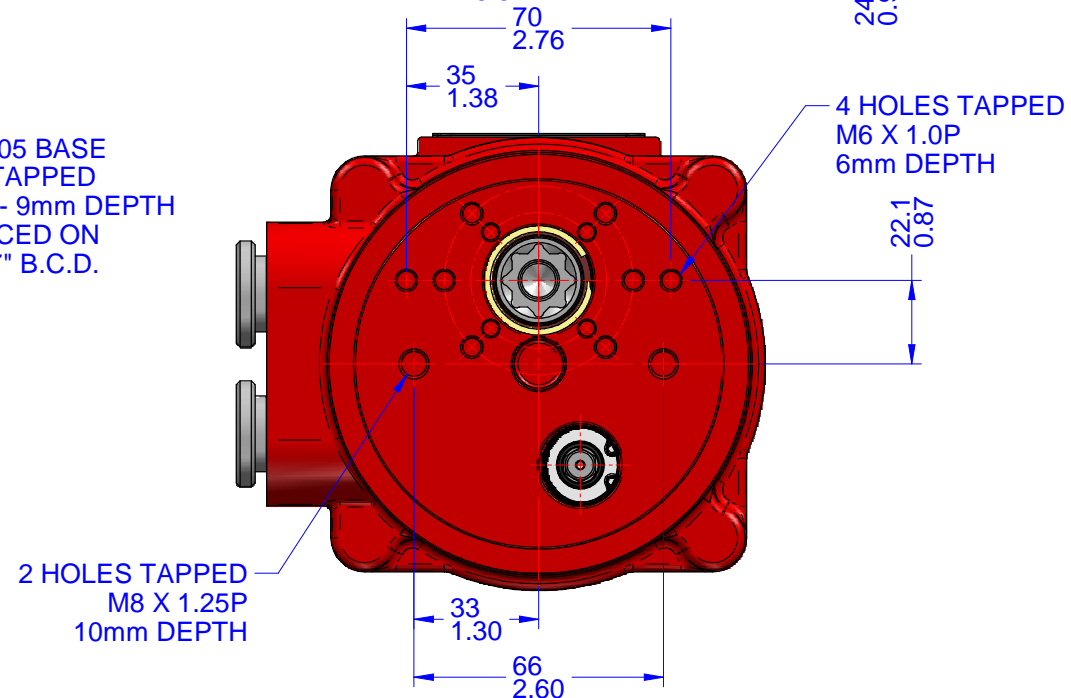
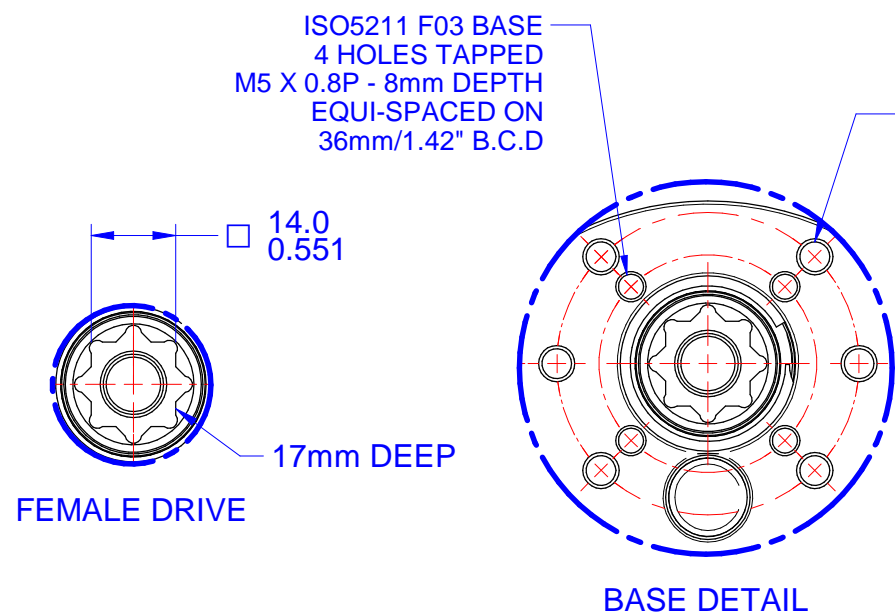


|                  |             |      |      |
|------------------|-------------|------|------|
| 03               |             |      |      |
| 02               |             |      |      |
| 01               |             |      |      |
| 00               |             |      |      |
| REV              | DESCRIPTION | DATE | APVD |
| REVISION HISTORY |             |      |      |



- Notes:
- 1) All dimensions are in mm/INCHES.
  - 2) Actuator shown is in the fully clockwise closed position.
  - 3) Enclosure - EXPLOSIONPROOF.
  - 4) \*\* Designates cover removal allowance.



**Innovative Actuation Incorporated**

1-215 Traders Blvd. Mississauga, Ontario Canada L4Z-3K5 www.ivact.com

TITLE:  
**Dimensional Drawing for iVact Model  
iVQ-CLEN (Explosionproof) Quarter-turn  
Electric Actuator with Manual Lever Override**

DOC. NO.: IV-2041      DATE: May 28/2018

DRAWING NO.: **iVQ-CLEN**