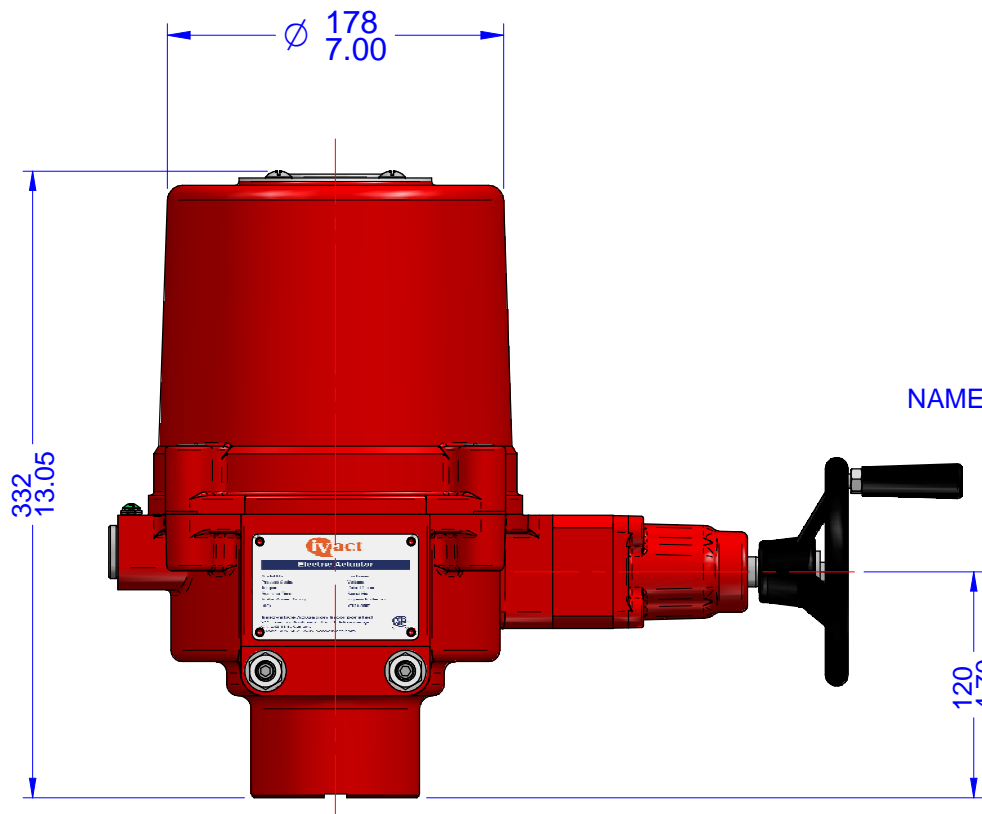
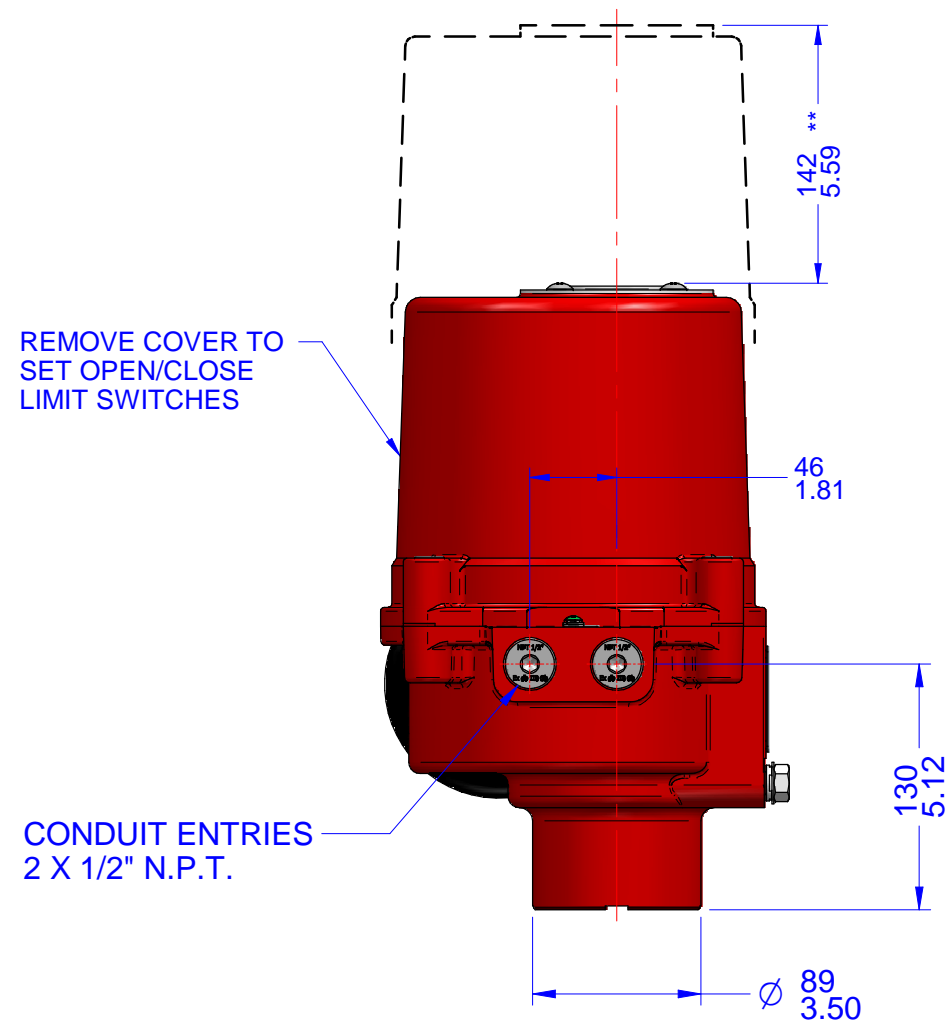
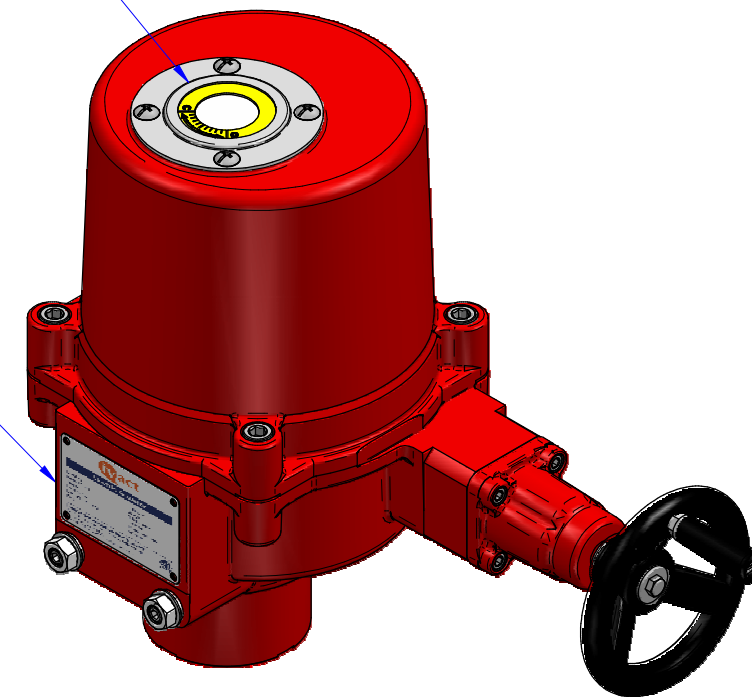


03			
02			
01			
00			
REV	DESCRIPTION	DATE	APVD
REVISION HISTORY			



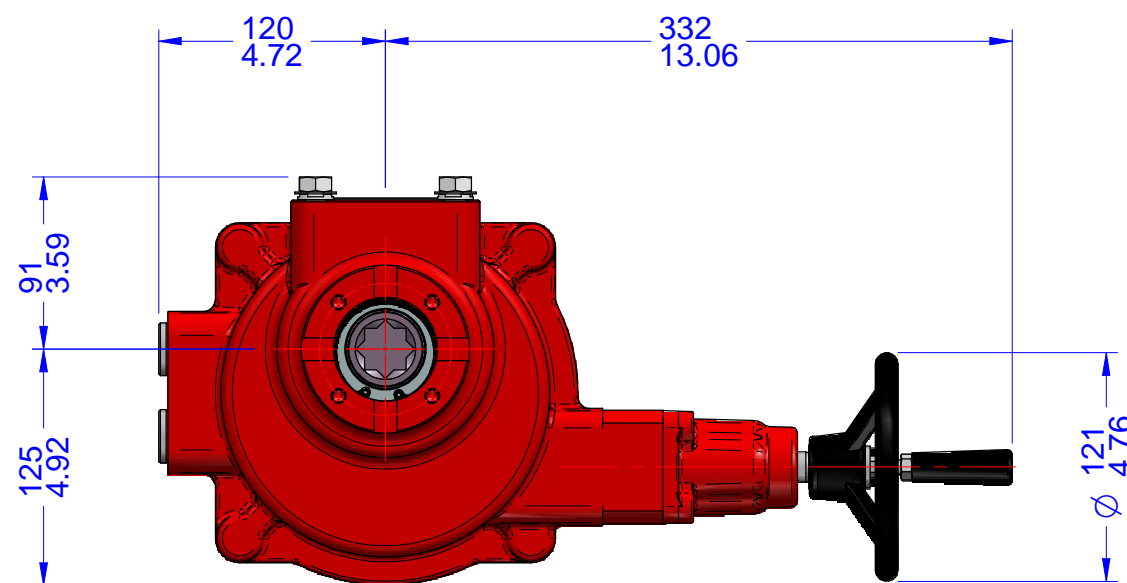
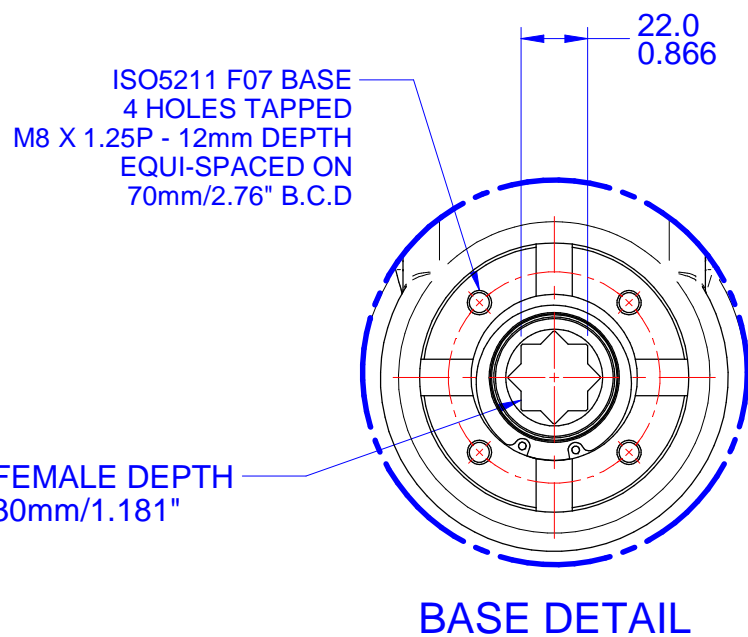
VISUAL INDICATION

NAMEPLATE



Notes:

- 1) All dimensions are in mm/INCHES.
- 2) Actuator shown is in the fully clockwise closed position.
- 3) Enclosure - EXPLOSIONPROOF.
- 4) ** Designates cover removal allowance.



Innovative Actuation Incorporated

1-215 Traders Blvd. Mississauga, Ontario Canada L4Z-3K5 www.ivact.com

TITLE:

Dimensional Drawing for iVact Model
iVQ-HHEN (Explosionproof) Electric Actuator

DOC. NO.:

IV-2045

DATE:

July 9/2018

DRAWING NO.:

iVQ-HHEN