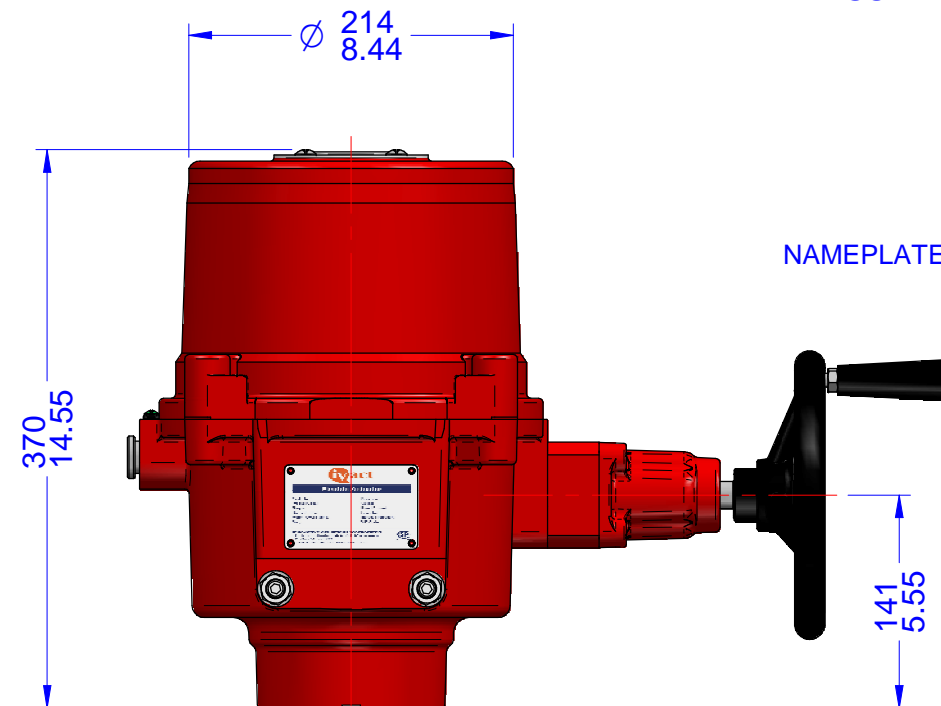
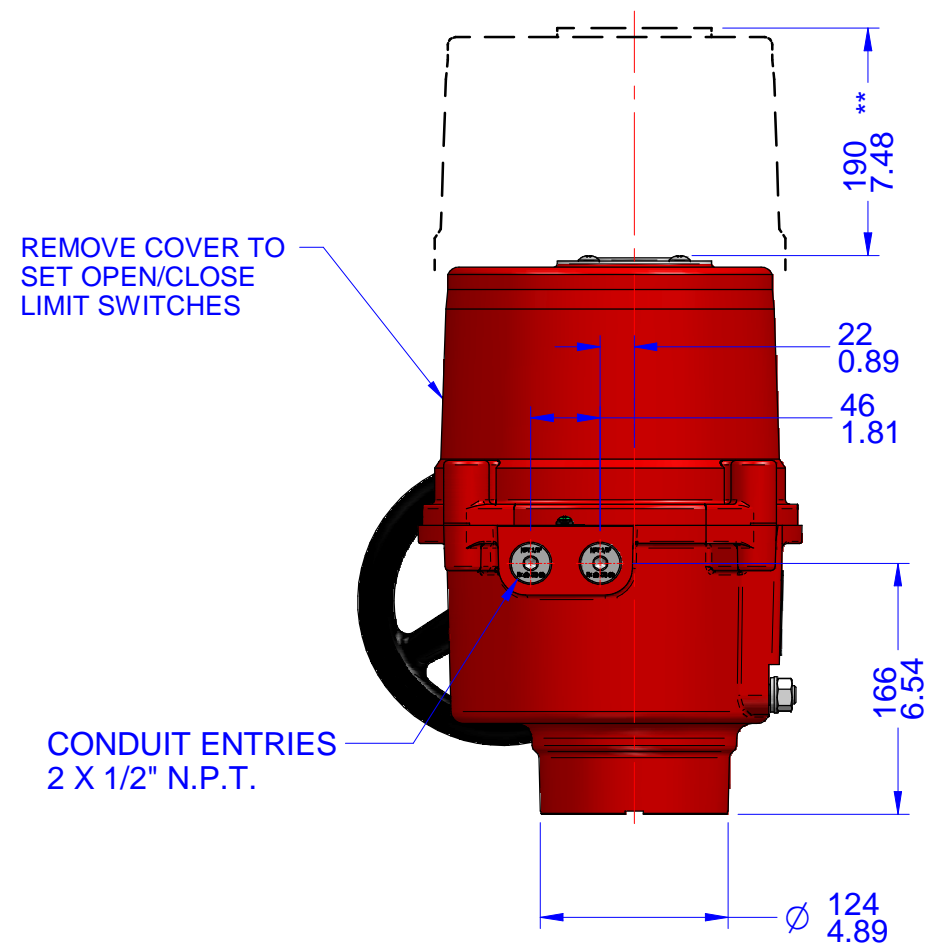
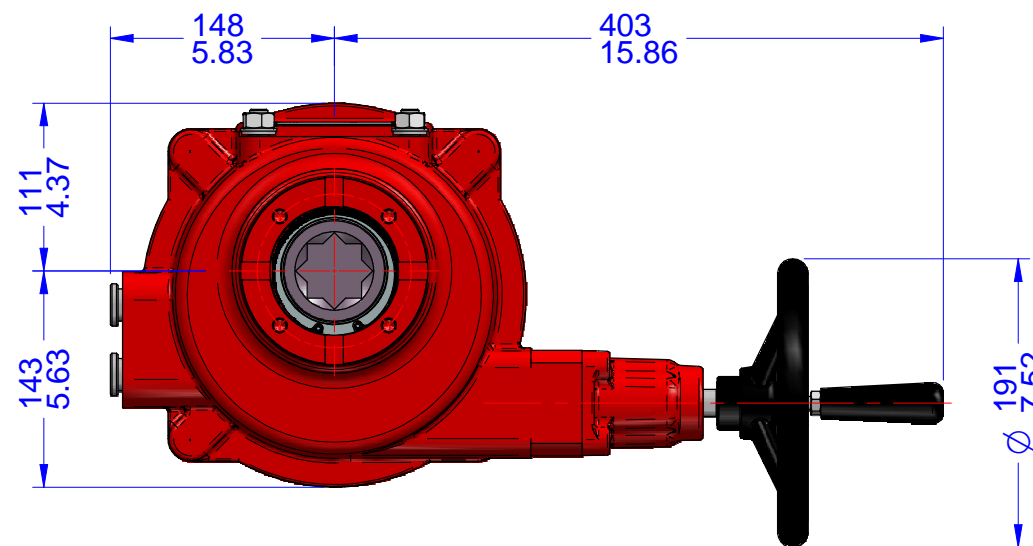
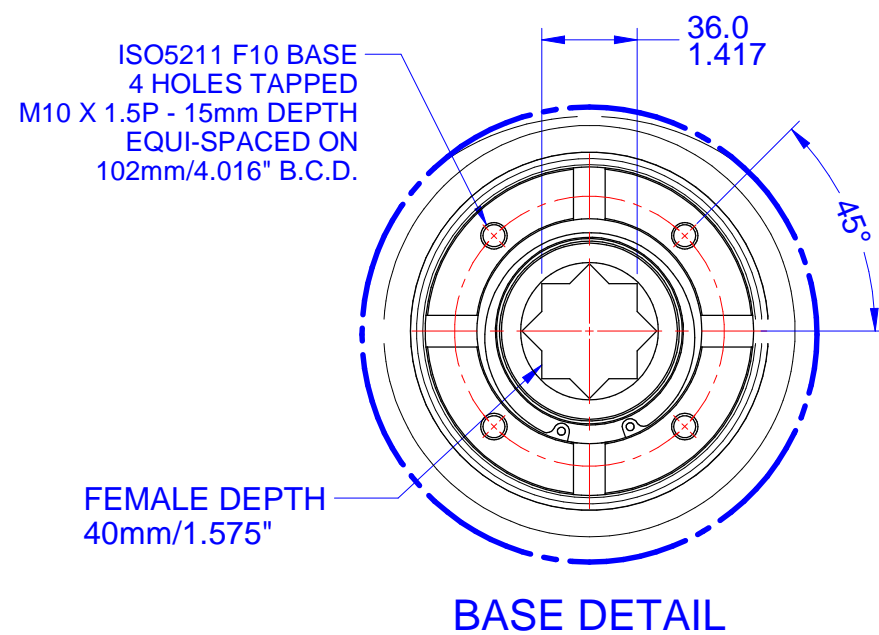
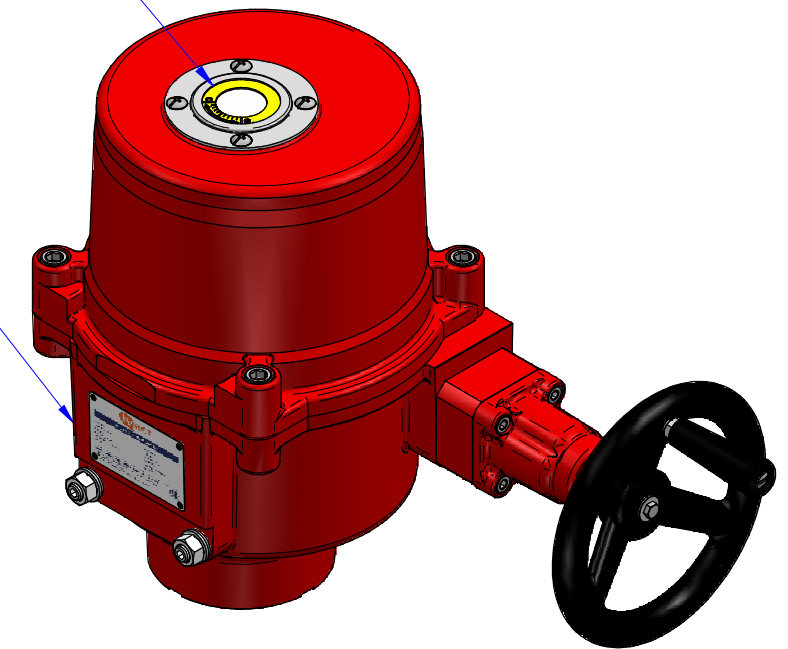


03			
02			
01			
00			
REV	DESCRIPTION	DATE	APVD
REVISION HISTORY			



VISUAL INDICATION

NAMEPLATE



**Notes:**

- 1) All dimensions are in mm/INCHES.
- 2) Actuator shown is in the fully clockwise closed position.
- 3) Enclosure - EXPLOSIONPROOF.
- 4) \*\* Designates cover removal allowance.



**Innovative Actuation Incorporated**

1-215 Traders Blvd. Mississauga, Ontario Canada L4Z-3K5 www.ivact.com

TITLE:

Dimensional Drawing for ivact Model  
iVQ-JHEN (Explosionproof) Electric Actuator

DOC. NO.:

IV-2046

DATE:

July 9/2018

DRAWING NO.:

**iVQ-JHEN**