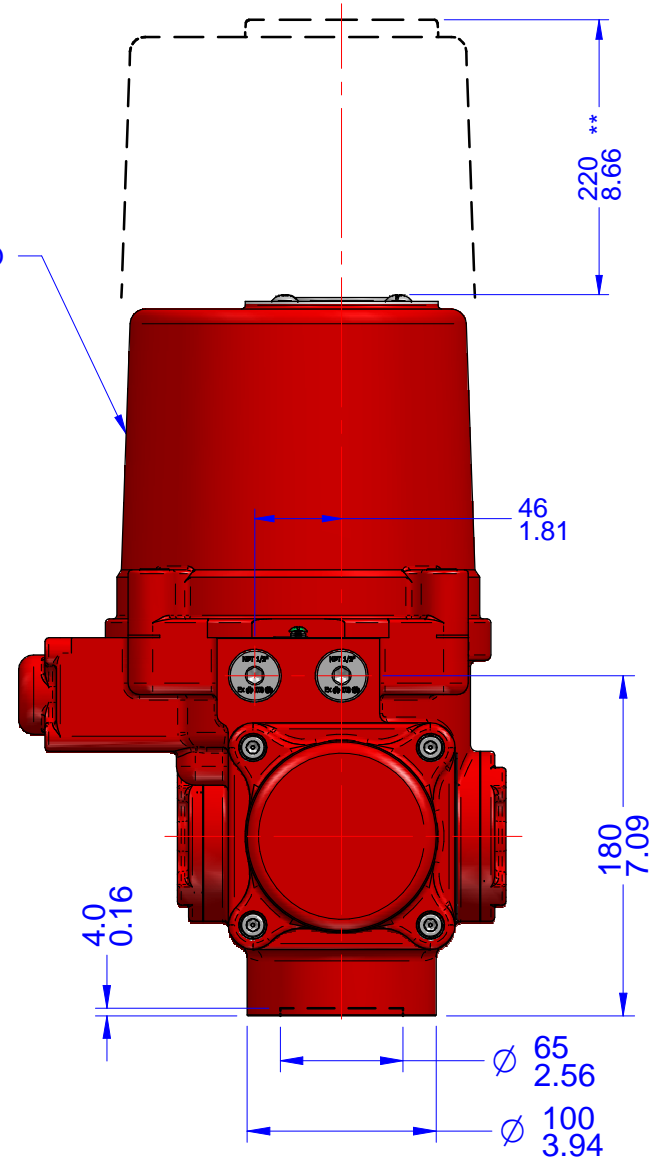
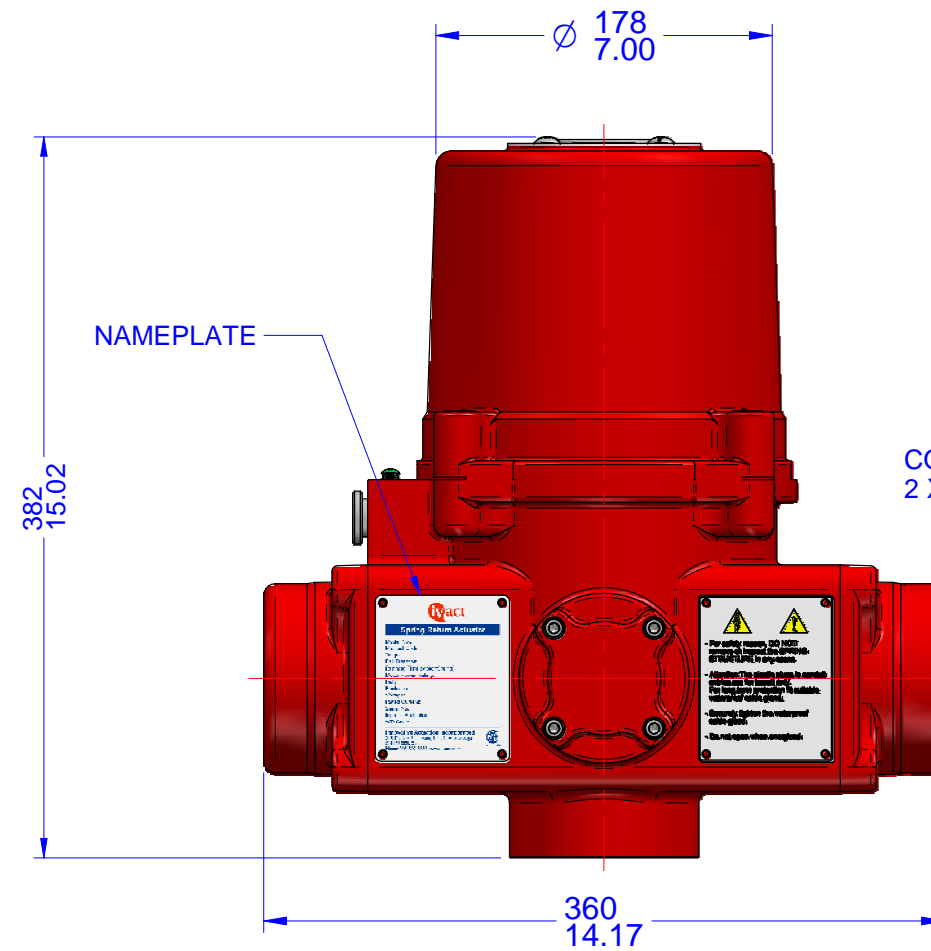


03			
02			
01			
00			
REV	DESCRIPTION	DATE	APVD
REVISION HISTORY			

REMOVE COVER TO SET OPEN/CLOSE LIMIT SWITCHES

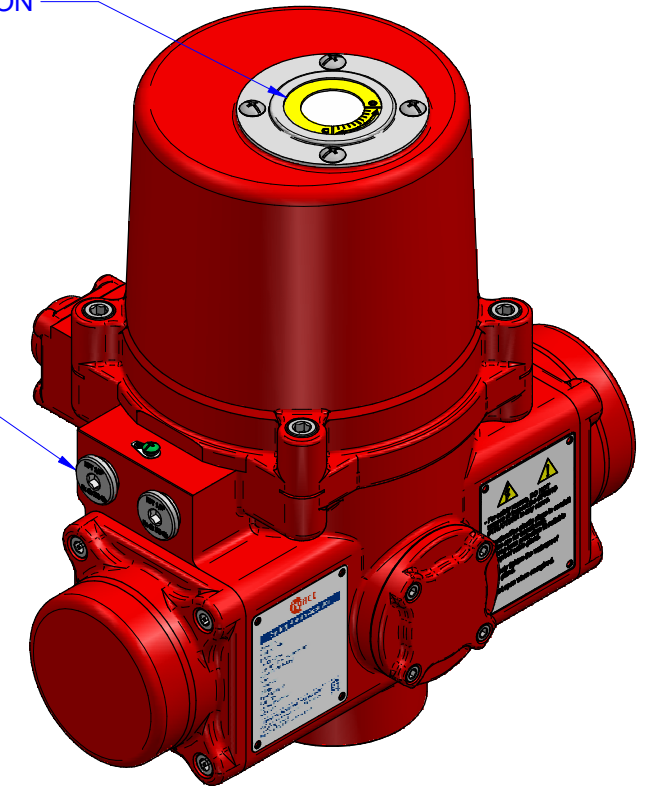


NAMEPLATE



VISUAL INDICATION

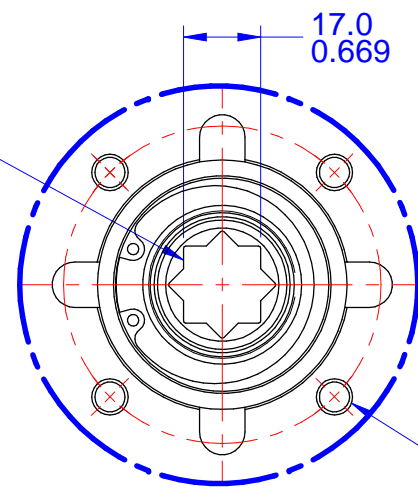
CONDUIT ENTRIES  
2 X 1/2" N.P.T.



Notes:

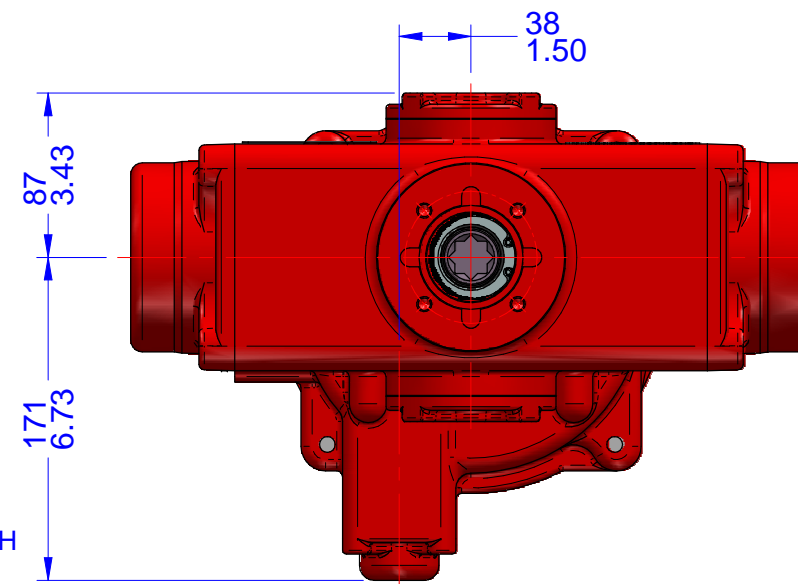
- 1) All dimensions are in mm/INCHES.
- 2) Actuator shown is in the failsafe position of FULLY CLOCKWISE CLOSED.
- 3) Enclosure - EXPLOSIONPROOF.
- 4) \*\* Designates cover removal allowance.

FEMALE DEPTH  
30mm/1.181"



BASE DETAIL

ISO5211 F07 BASE  
4 HOLES TAPPED  
M8 X 1.25P - 12mm DEPTH  
EQUI-SPACED ON  
70mm/2.76" B.C.D.



Innovative Actuation Incorporated

1-215 Traders Blvd. Mississauga, Ontario Canada L4Z-3K5 www.ivact.com

TITLE:

Dimensional Drawing for ivact Model iVS-ANEN  
(Explosionproof) Spring Return Failsafe Electric  
Actuator (Fails Clockwise)

DOC. NO.:

IV-2051

DATE:

June 28/2018

DRAWING NO.:

**iVS-ANEN-X**