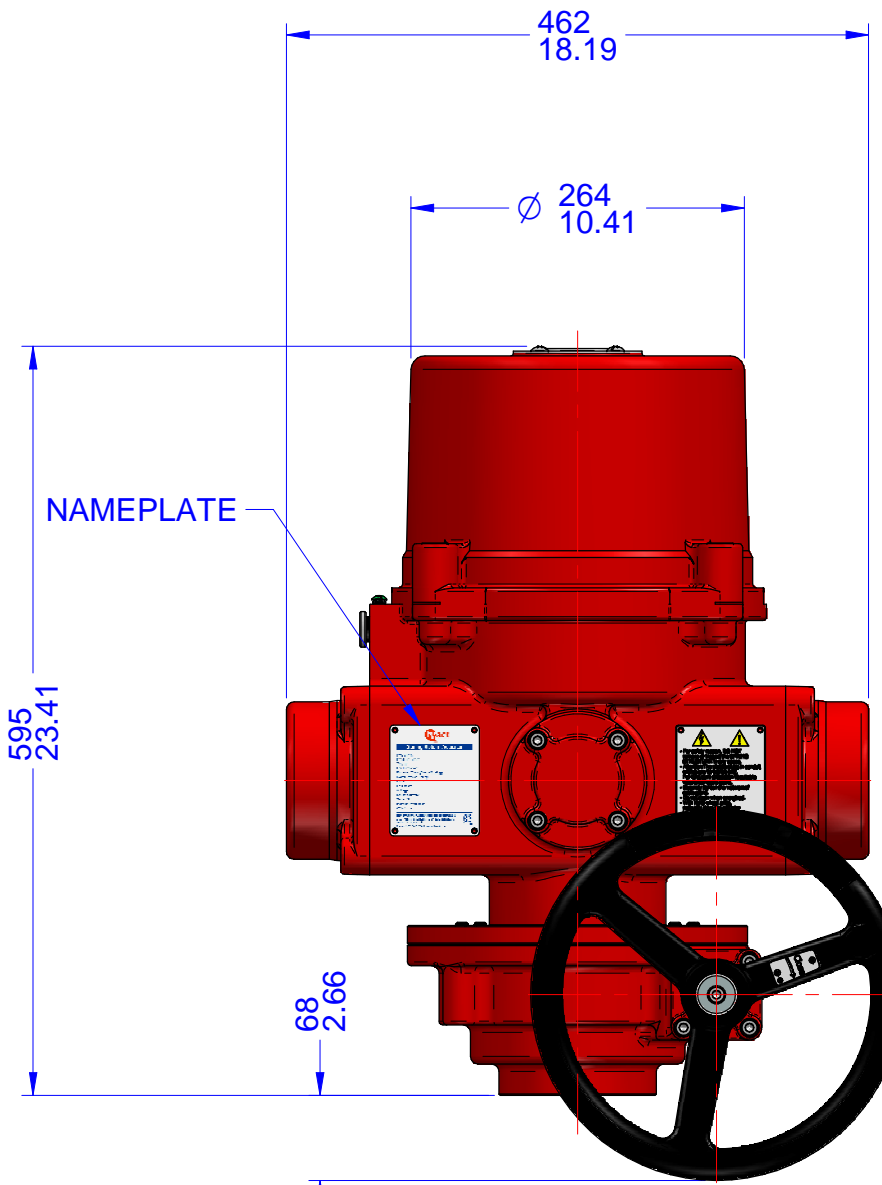
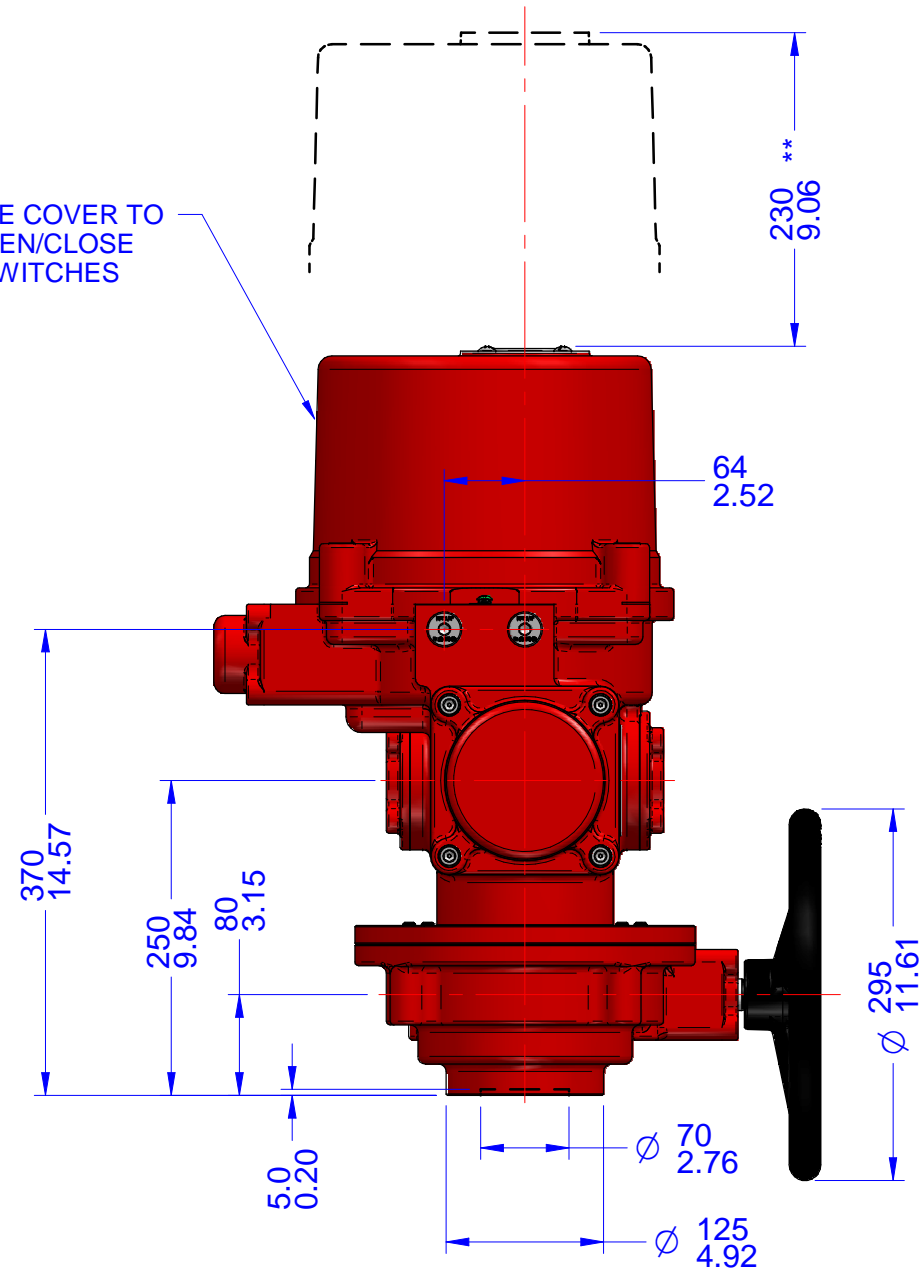


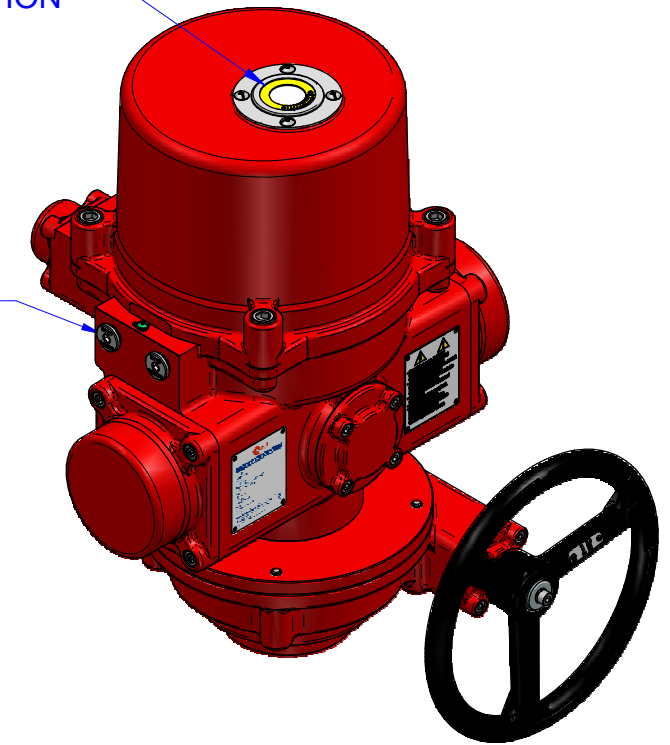
03			
02			
01			
00			
REV	DESCRIPTION	DATE	APVD
REVISION HISTORY			

REMOVE COVER TO SET OPEN/CLOSE LIMIT SWITCHES



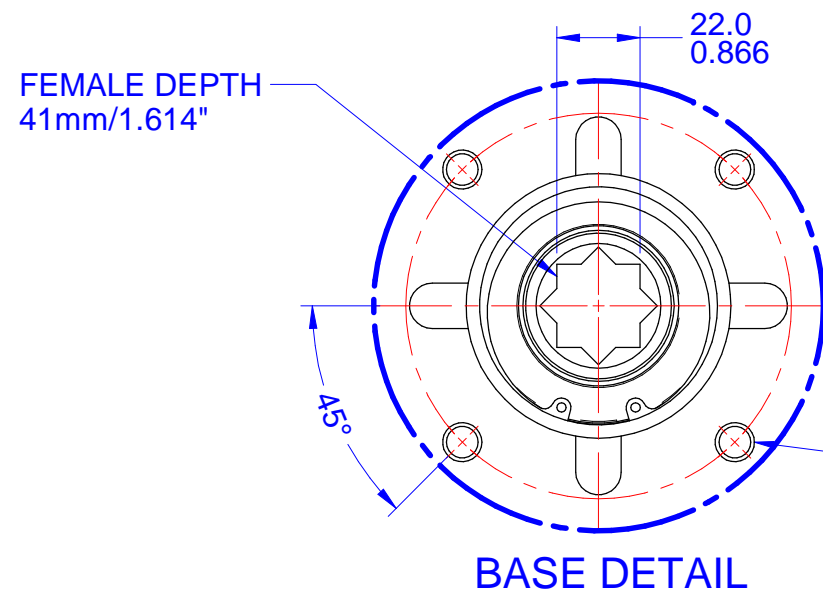
VISUAL INDICATION

CONDUIT ENTRIES
2 X 1/2" N.P.T.

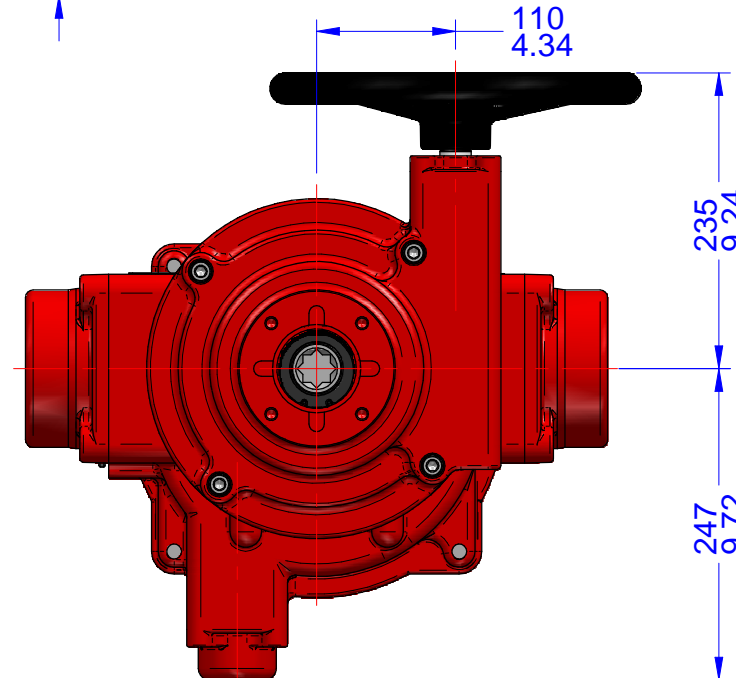


Notes:

- 1) All dimensions are in mm/INCHES.
- 2) Actuator shown is in the failsafe position of FULLY CLOCKWISE CLOSED.
- 3) Enclosure - EXPLOSIONPROOF.
- 4) ** Designates cover removal allowance.



ISO5211 F10 BASE
4 HOLES TAPPED
M10 X 1.5P - 15mm DEPTH
EQUI-SPACED ON
102mm/4.016" B.C.D.



Innovative Actuation Incorporated

1-215 Traders Blvd. Mississauga, Ontario Canada L4Z-3K5 www.ivact.com

TITLE:

Dimensional Drawing for ivact Model iVS-BHEN
(Explosionproof) Spring Return Failsafe
Electric Actuator with Manual Override (Fails Clockwise)

DOC. NO.: IV-2054

DATE: July 5/2018

DRAWING NO.:

iVS-BHEN-X