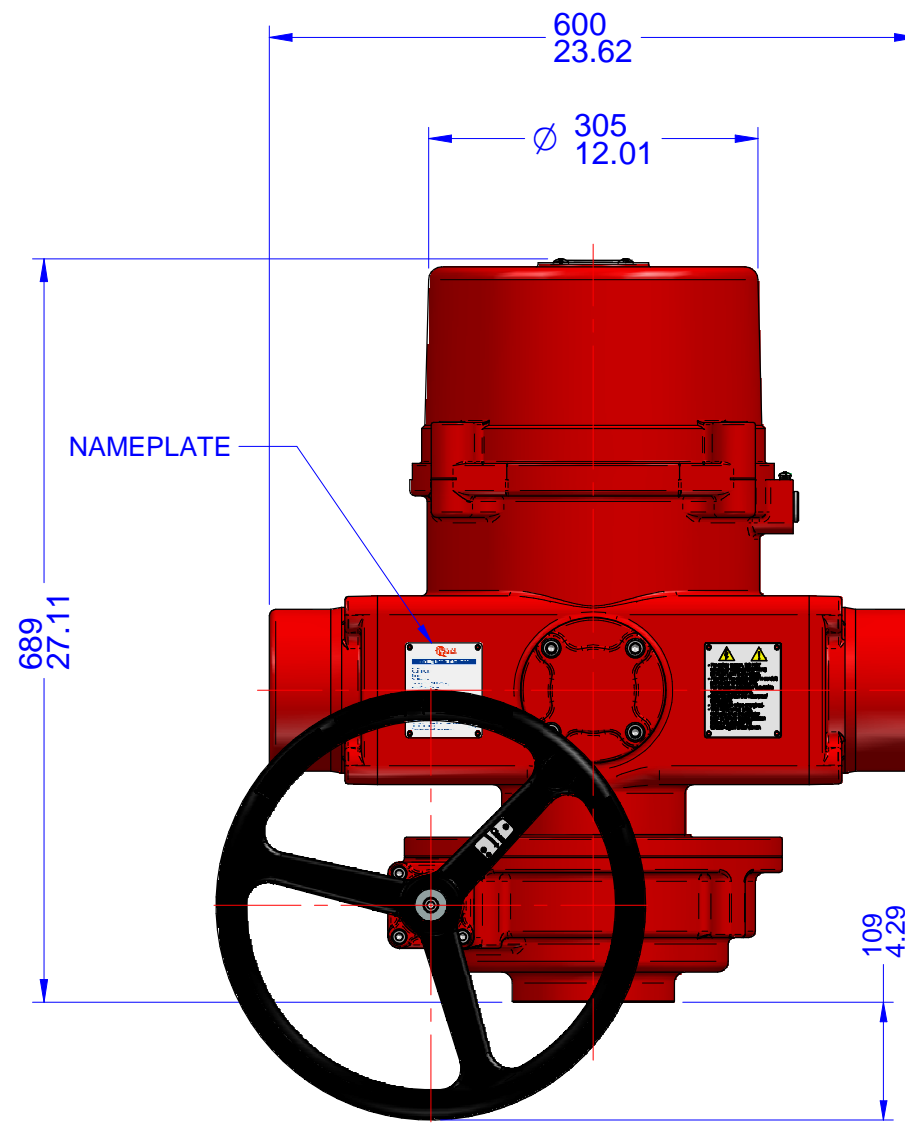
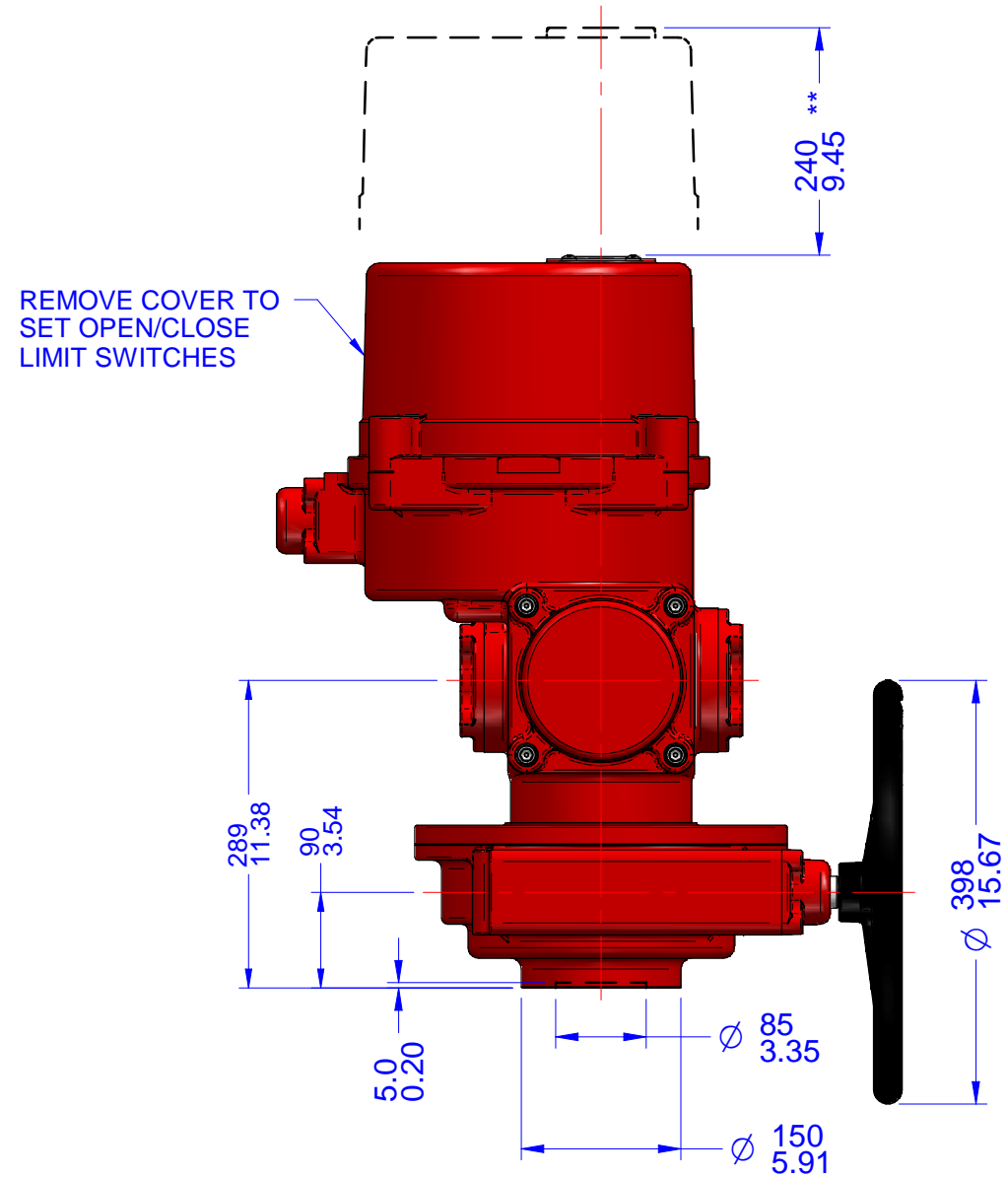
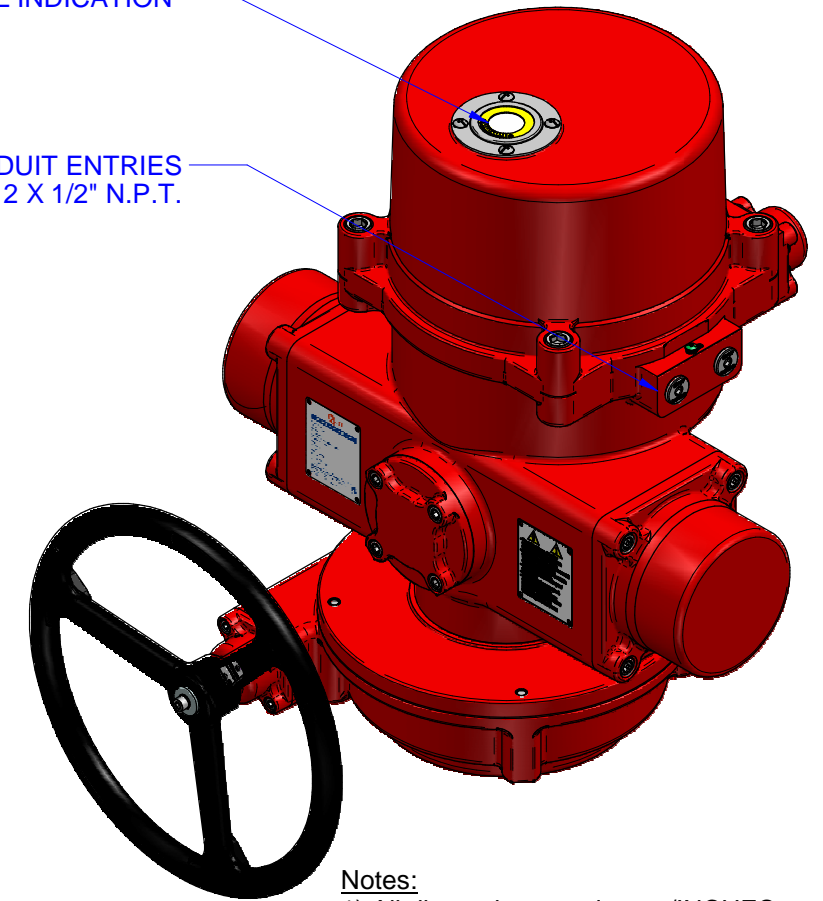


03			
02			
01			
00			
REV	DESCRIPTION	DATE	APVD
REVISION HISTORY			

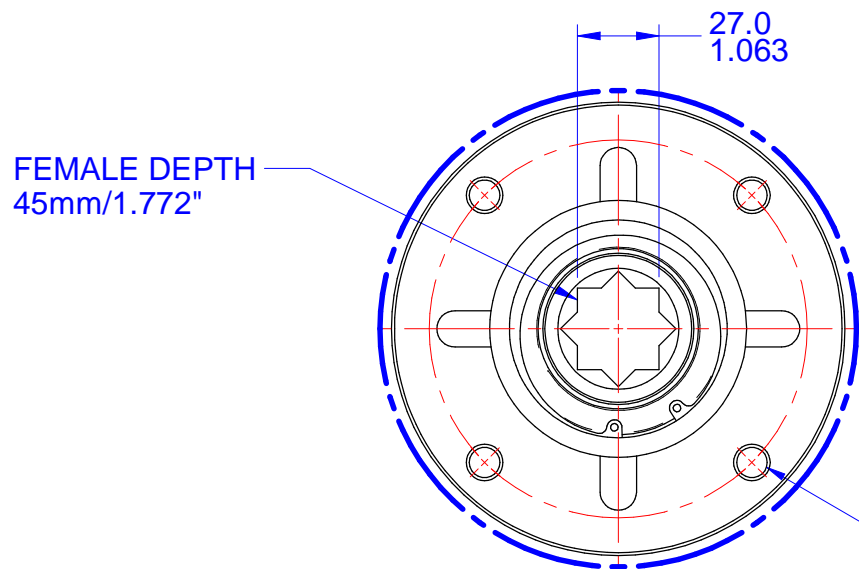


VISUAL INDICATION

CONDUIT ENTRIES
2 X 1/2" N.P.T.

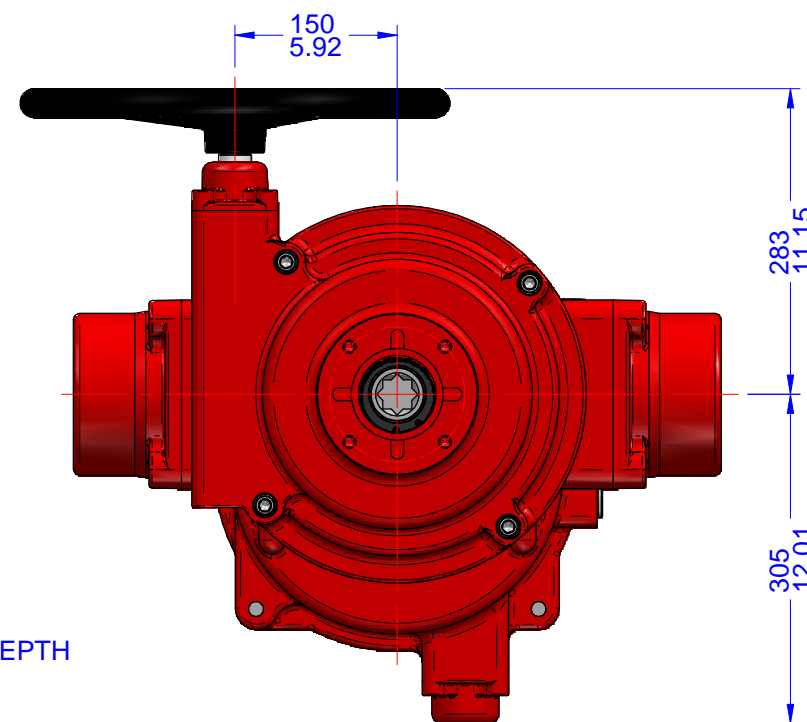


- Notes:
- 1) All dimensions are in mm/INCHES.
 - 2) Actuator shown is in the failsafe position of FULLY COUNTER CLOCKWISE OPEN.
 - 3) Enclosure - EXPLOSIONPROOF.
 - 4) ** Designates cover removal allowance.



BASE DETAIL

ISO5211 F12 BASE
4 HOLES TAPPED
M12 X 1.75P - 18mm DEPTH
EQUI-SPACED ON
125mm/4.921" B.C.D.



Innovative Actuation Incorporated

1-215 Traders Blvd. Mississauga, Ontario Canada L4Z-3K5 www.ivact.com

TITLE:

Dimensional Drawing for ivact Model iVS-CHEN
(Explosionproof) Spring Return Failsafe Electric Actuator
with Manual Override (Fails Counter Clockwise)

DOC. NO.: IV-2064

DATE: July 5/2018

DRAWING NO.:

iVS-CHEN-Y