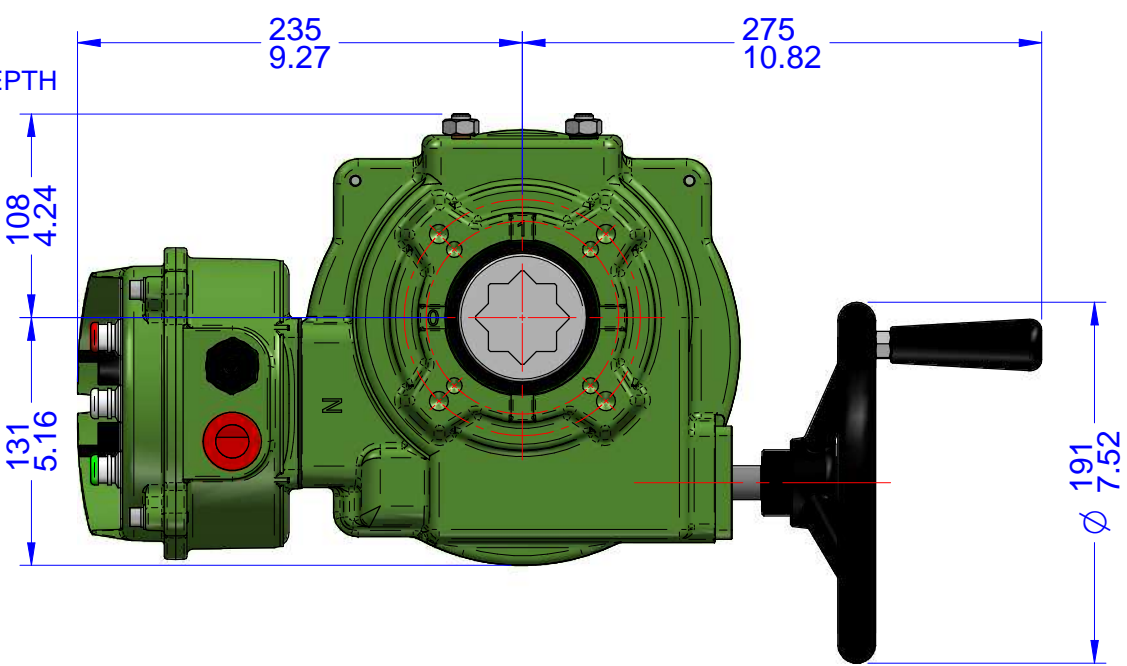
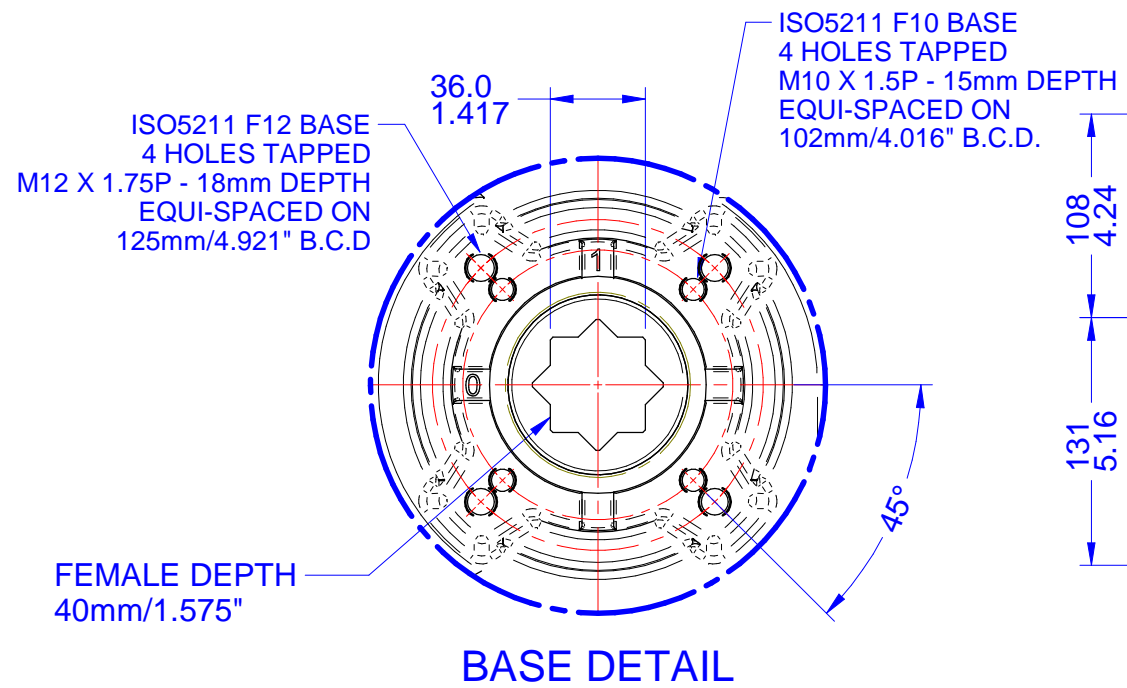
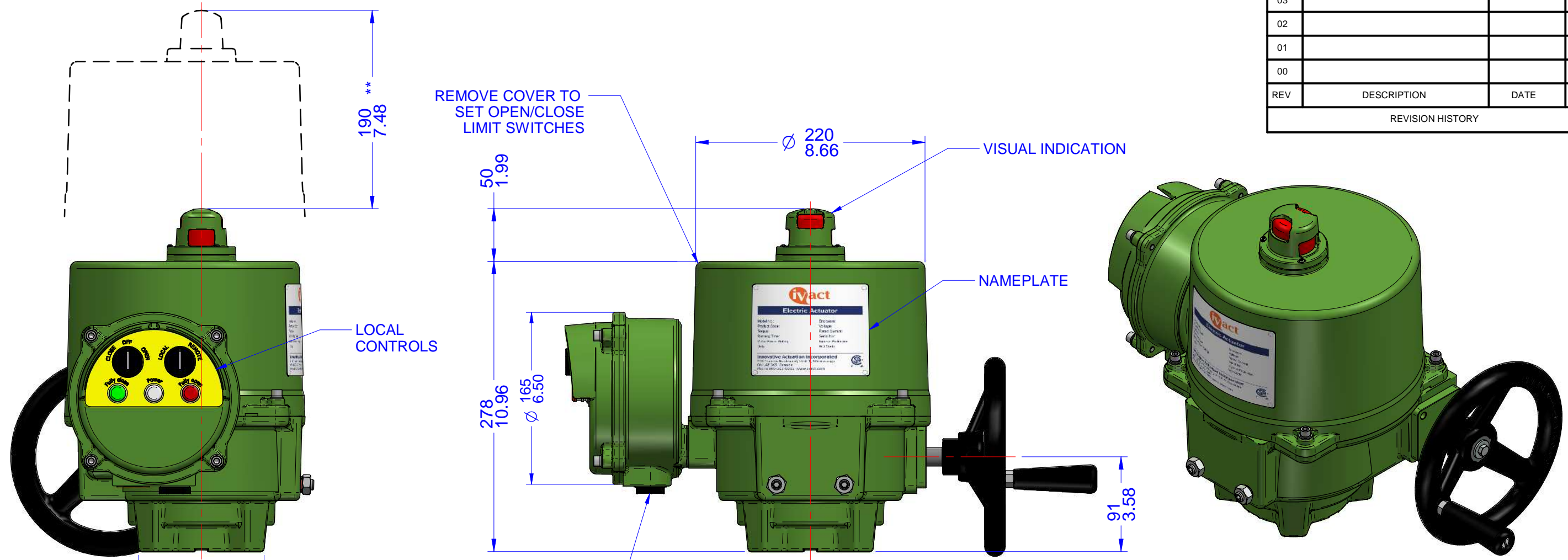



03			
02			
01			
00			
REV	DESCRIPTION	DATE	APVD
REVISION HISTORY			



- Notes:
- 1) All dimensions are in mm/INCHES.
 - 2) Actuator shown is in the fully clockwise closed position.
 - 3) Enclosure - Watertight CSA Nema 4X.
 - 4) ** Designates cover removal allowance.



Innovative Actuation Incorporated
 1-215 Traders Blvd. Mississauga, Ontario Canada L4Z-3K5 www.ivact.com

TITLE: **Dimensional Drawing for iVact Model iVQ-LHWL Electric Actuator**

DOC. NO.: IV-2076	DATE: August 28/2018
-------------------	----------------------

DRAWING NO.: **iVQ-LHWL**