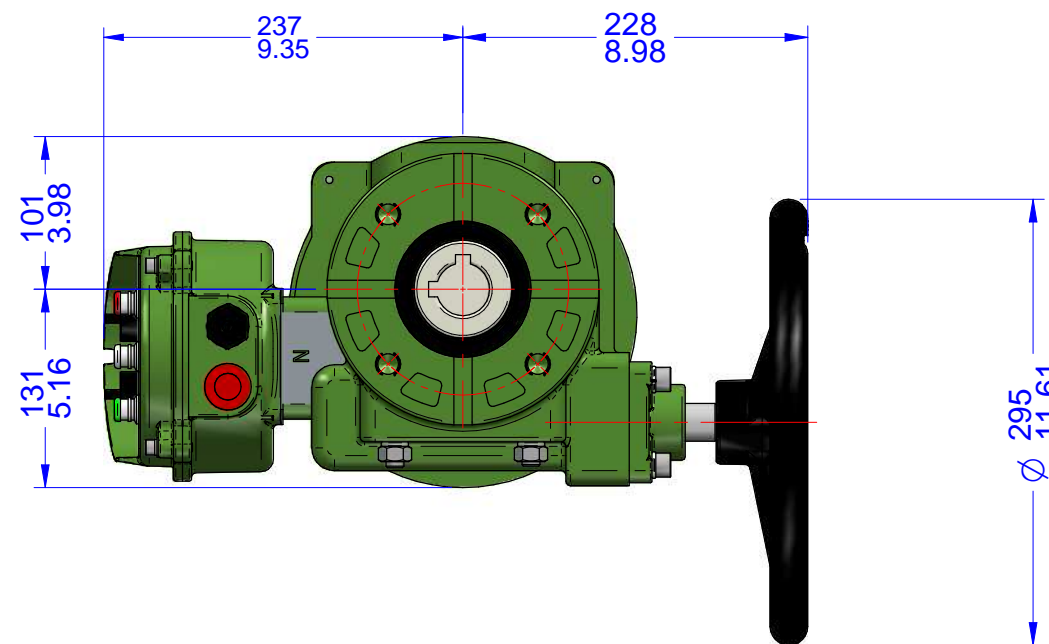
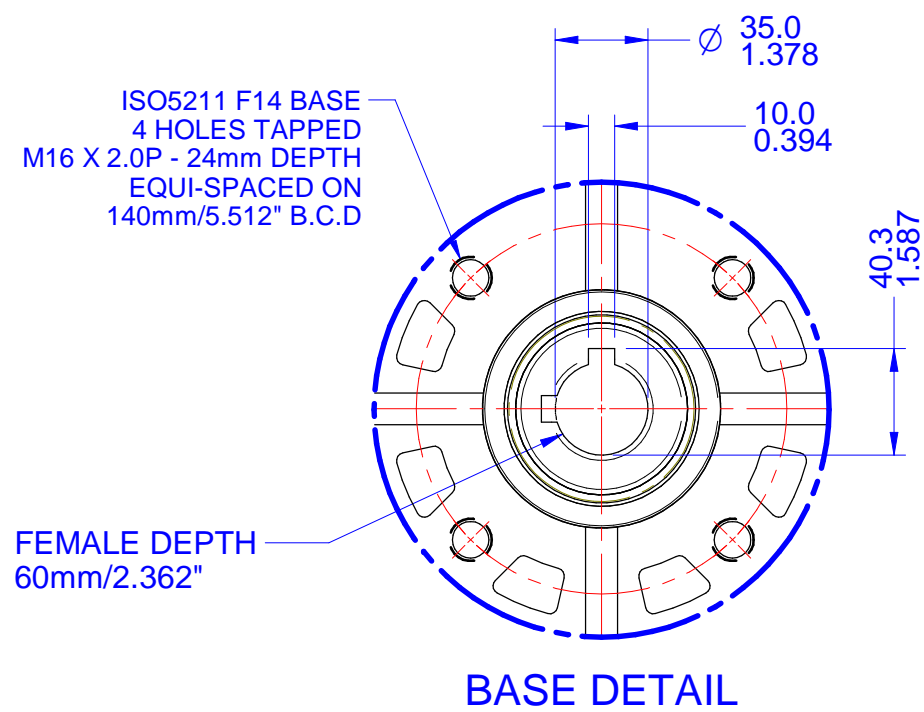
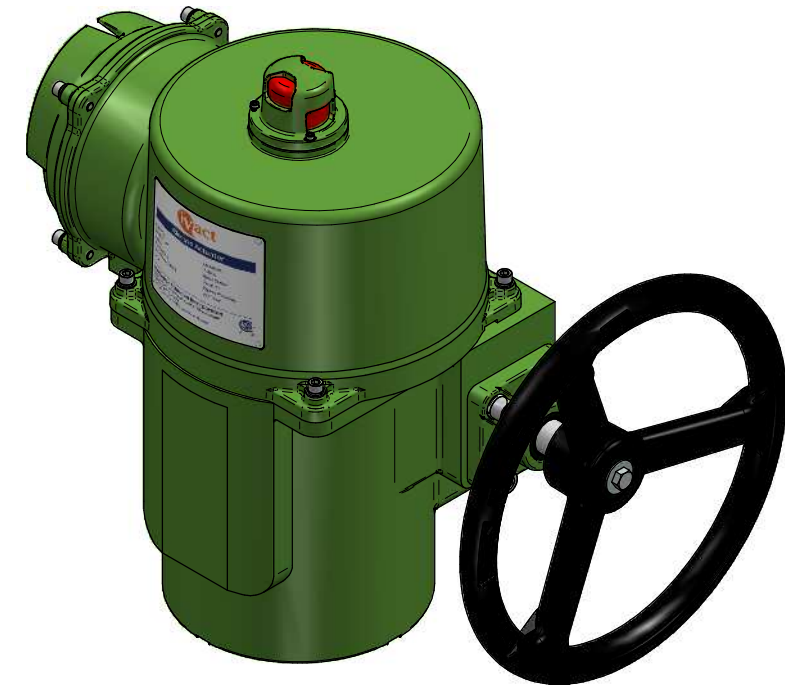
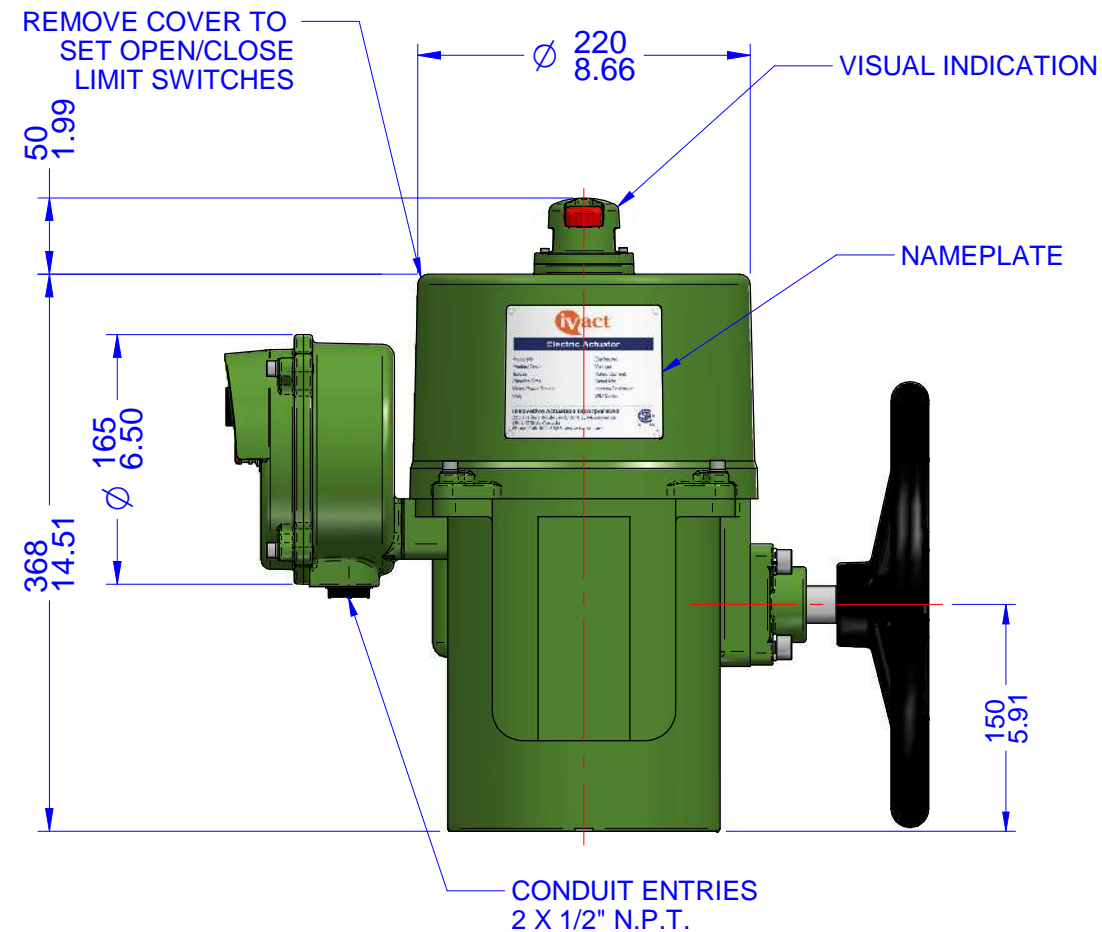
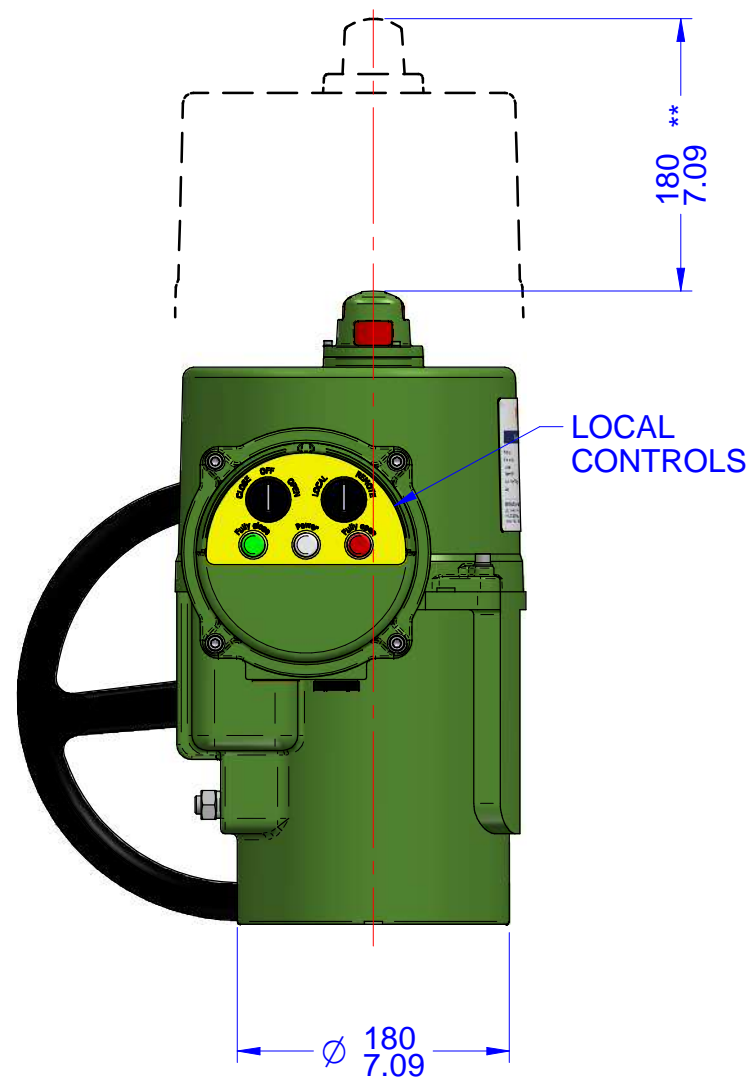


03			
02			
01			
00			
REV	DESCRIPTION	DATE	APVD
REVISION HISTORY			



Notes:

- 1) All dimensions are in mm/INCHES.
- 2) Actuator shown is in the fully clockwise closed position.
- 3) Enclosure - Watertight CSA Nema 4X.
- 4) ** Designates cover removal allowance.
- 5) Actuator can also be supplied with F12 mounting base.



Innovative Actuation Incorporated

1-215 Traders Blvd. Mississauga, Ontario Canada L4Z-3K5 www.ivact.com

TITLE:

**Dimensional Drawing for ivact Model
iVQ-NHWL Electric Actuator**

DOC. NO.:

IV-2078

DATE:

August 28/2018

DRAWING NO.:

iVQ-NHWL