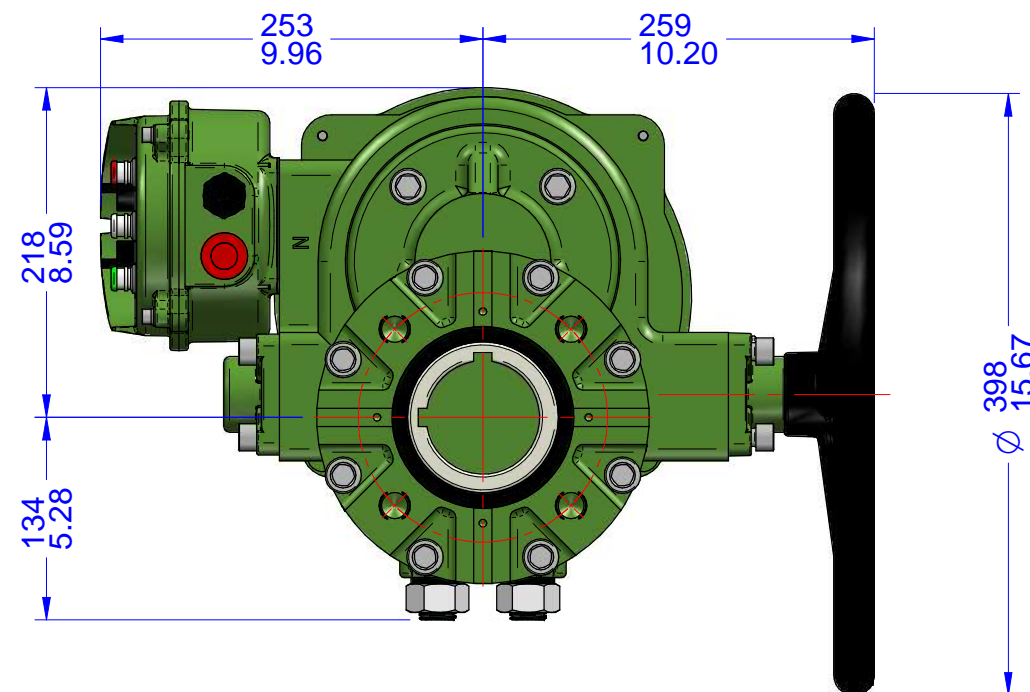
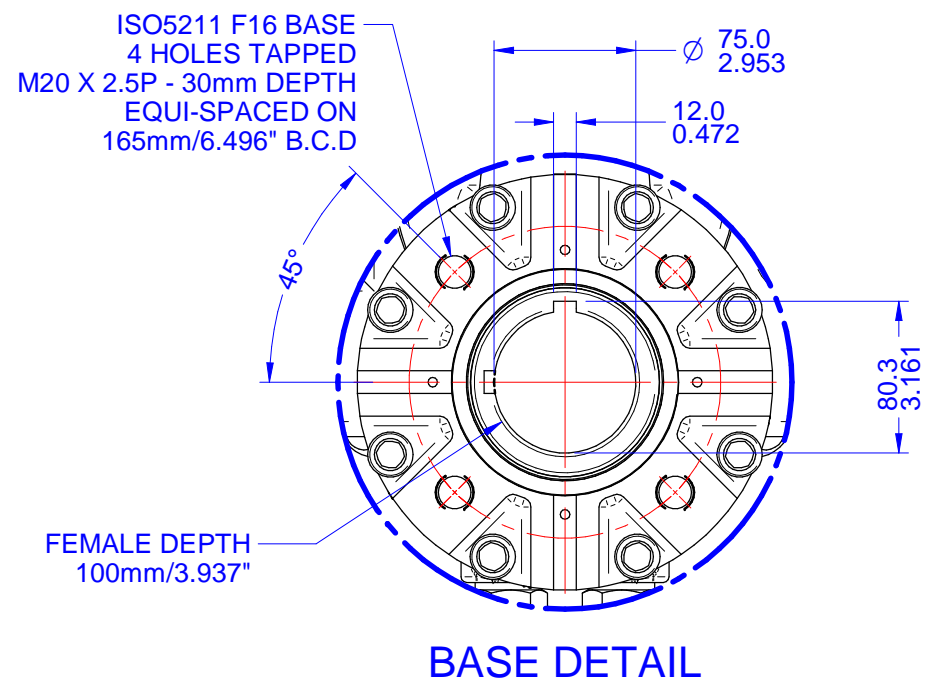
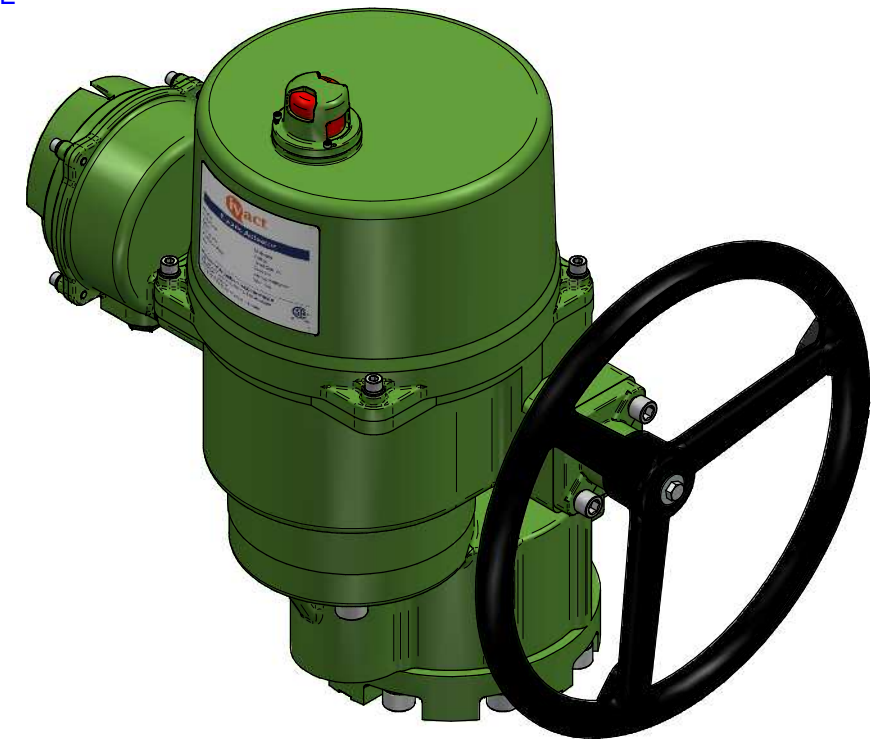
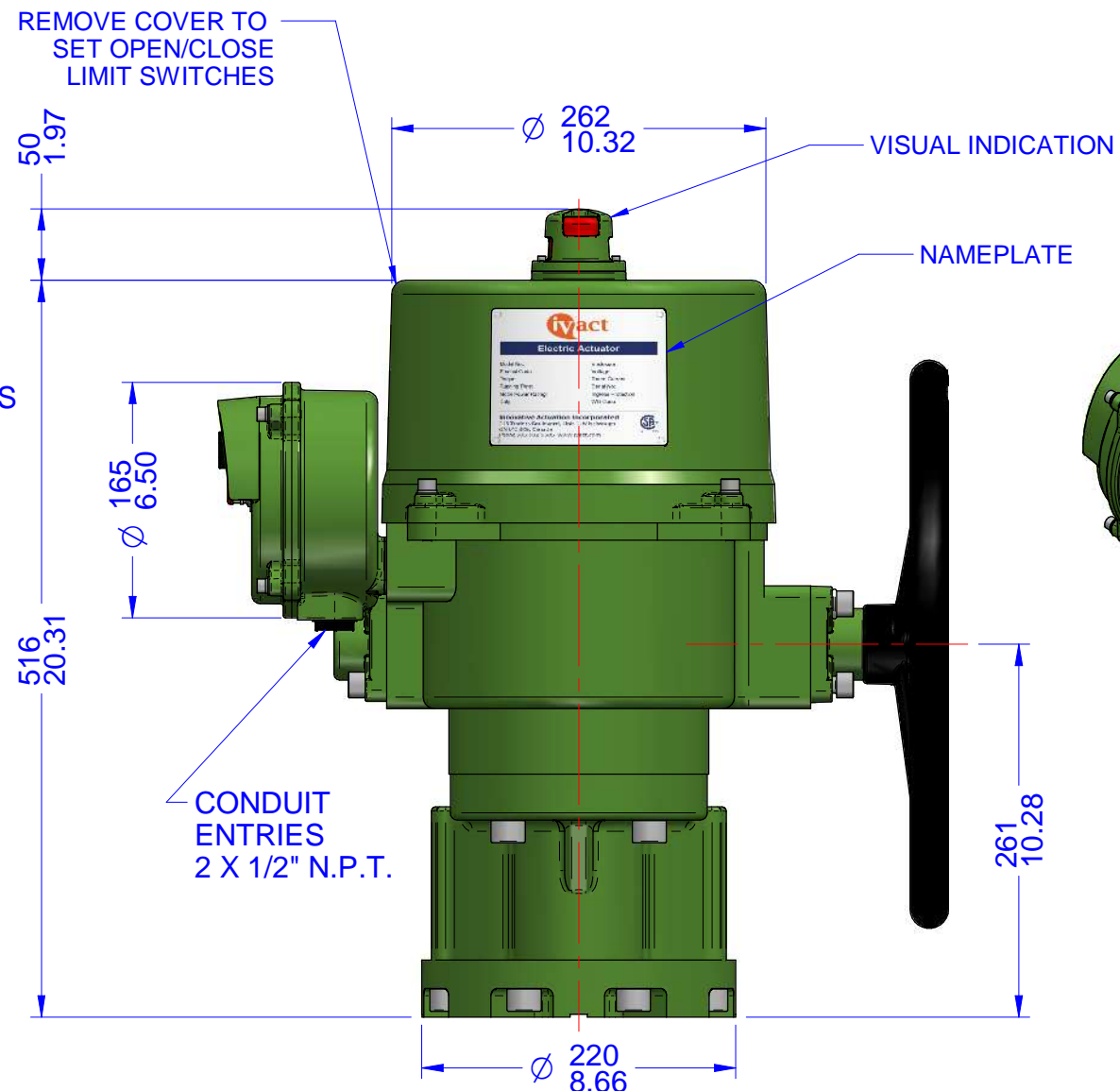
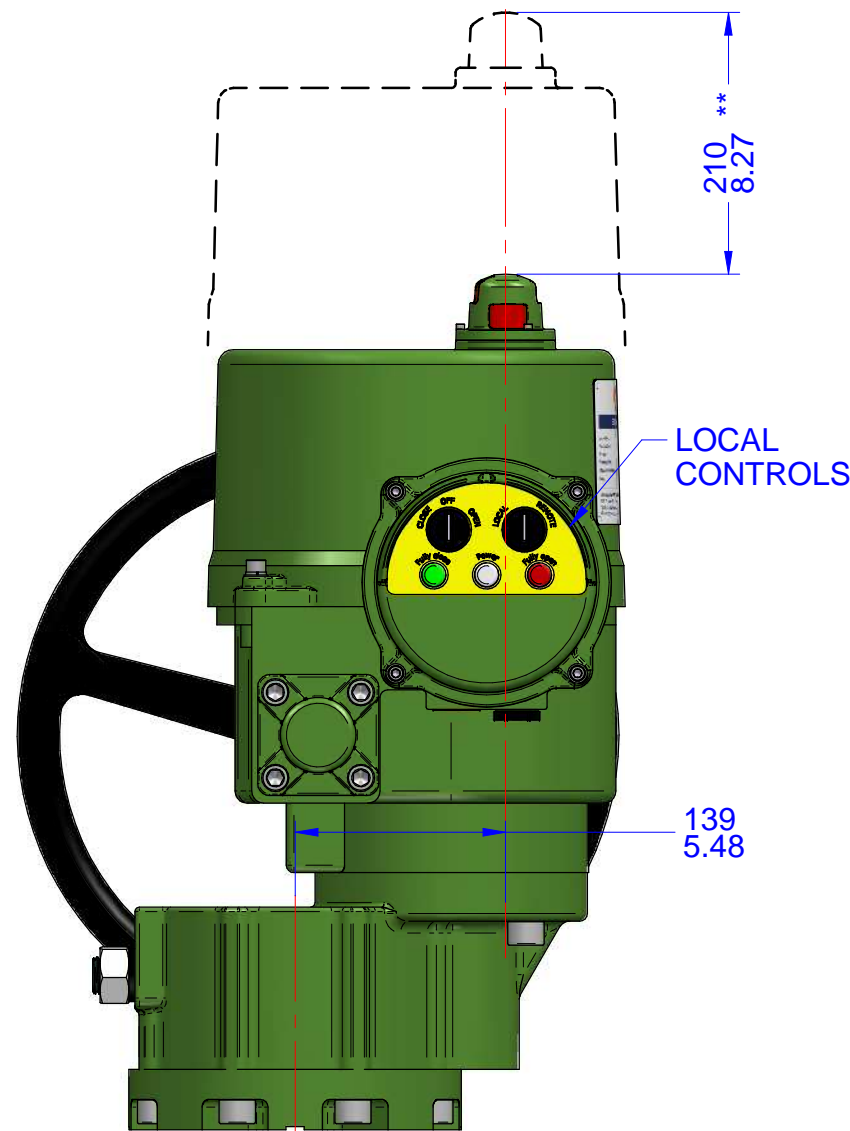



03			
02			
01			
00			
REV	DESCRIPTION	DATE	APVD
REVISION HISTORY			



- Notes:
- 1) All dimensions are in mm/INCHES.
  - 2) Actuator shown is in the fully clockwise closed position.
  - 3) Enclosure - Watertight CSA Nema 4X.
  - 4) \*\* Designates cover removal allowance.
  - 5) Actuator can also be supplied with F14 mounting base.



**Innovative Actuation Incorporated**

1-215 Traders Blvd. Mississauga, Ontario Canada L4Z-3K5 [www.ivact.com](http://www.ivact.com)

TITLE:  
**Dimensional Drawing for iVact Model iVQ-PHWL Electric Actuator**

DOC. NO.: IV-2080	DATE: August 28/2018
----------------------	-------------------------

DRAWING NO.:  
**iVQ-PHWL**