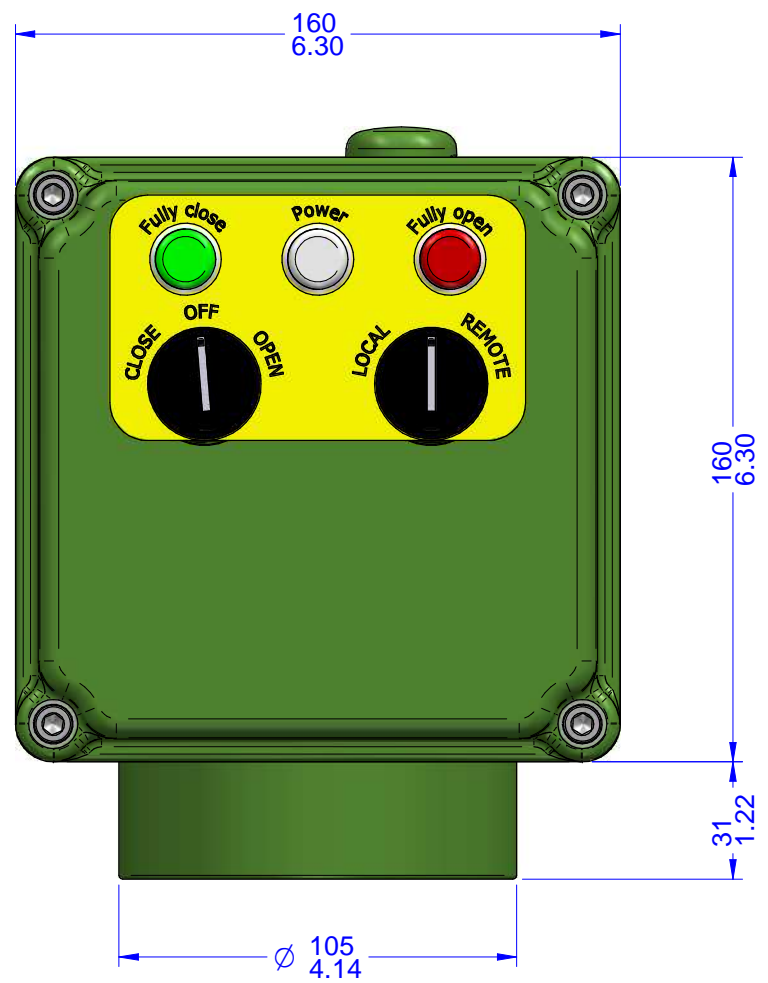
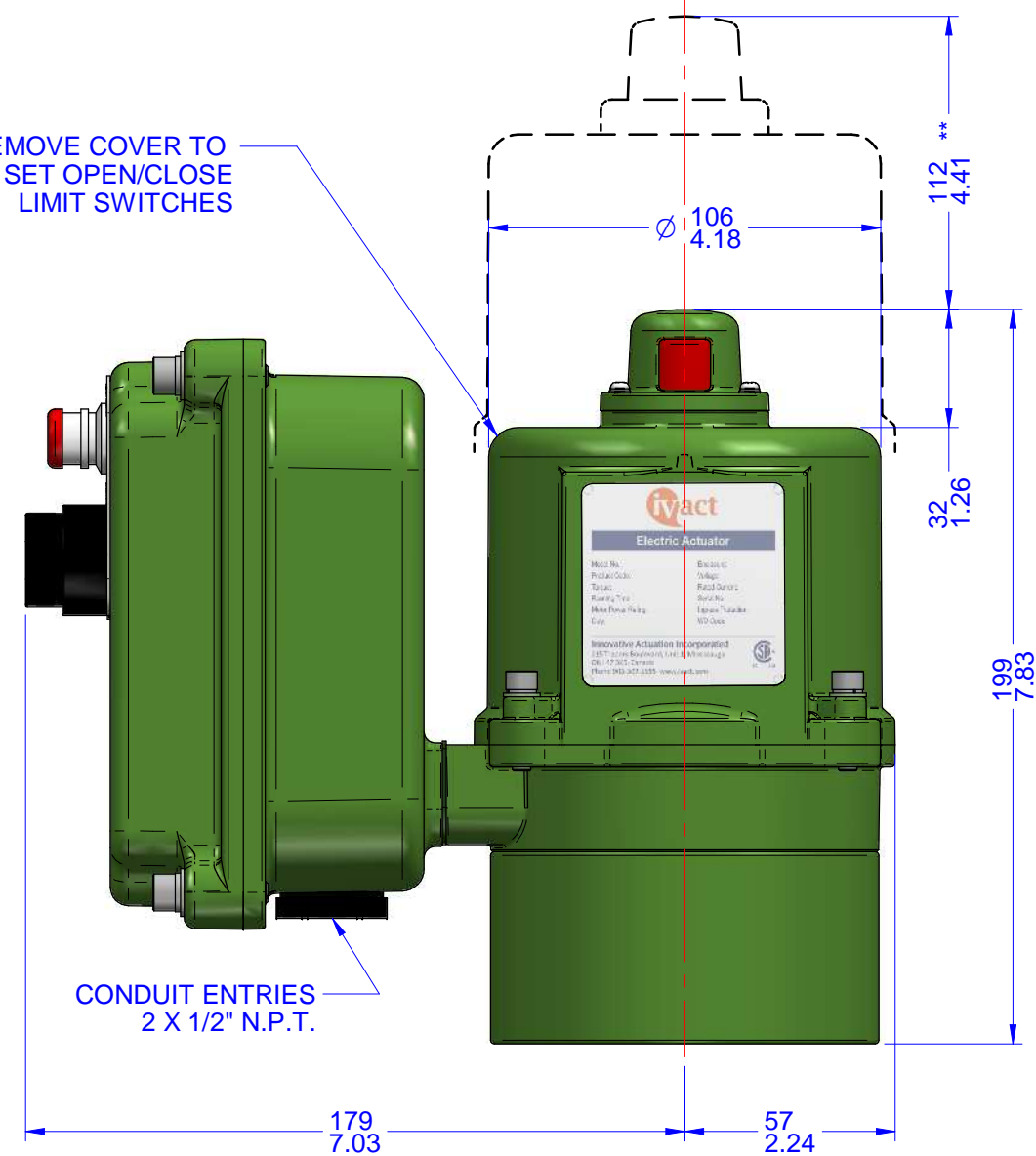


03			
02			
01			
00			
REV	DESCRIPTION	DATE	APVD
REVISION HISTORY			

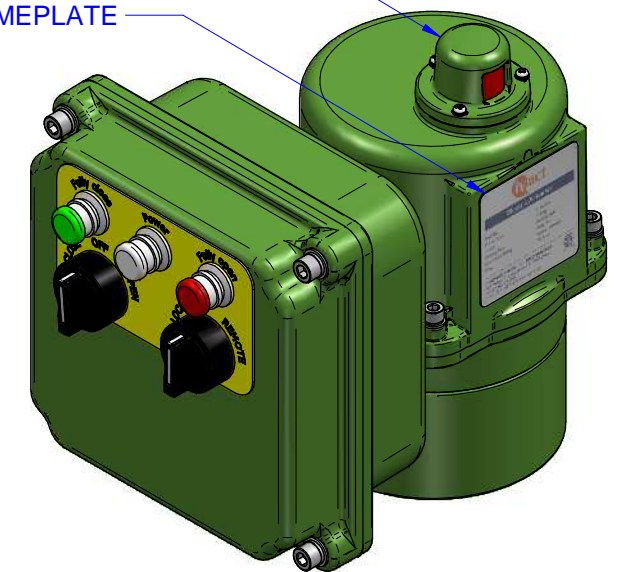


REMOVE COVER TO
SET OPEN/CLOSE
LIMIT SWITCHES



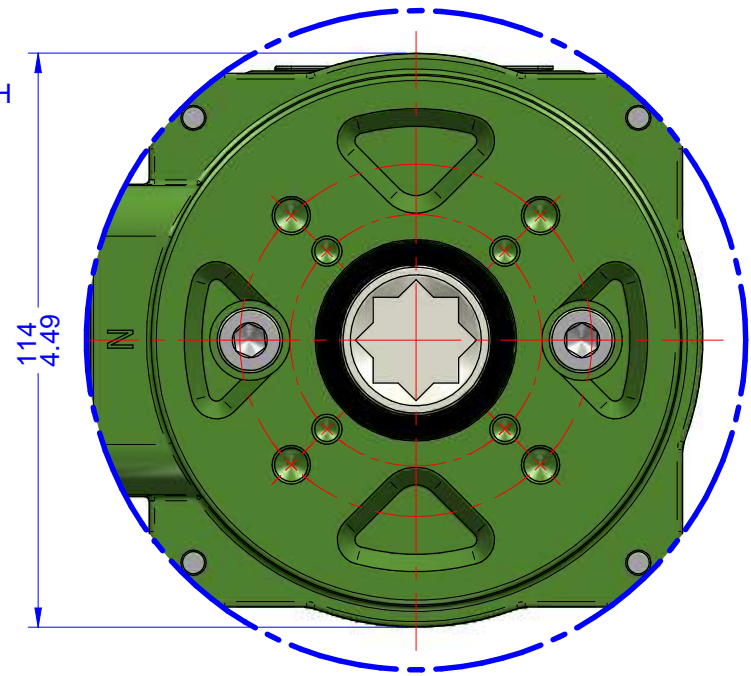
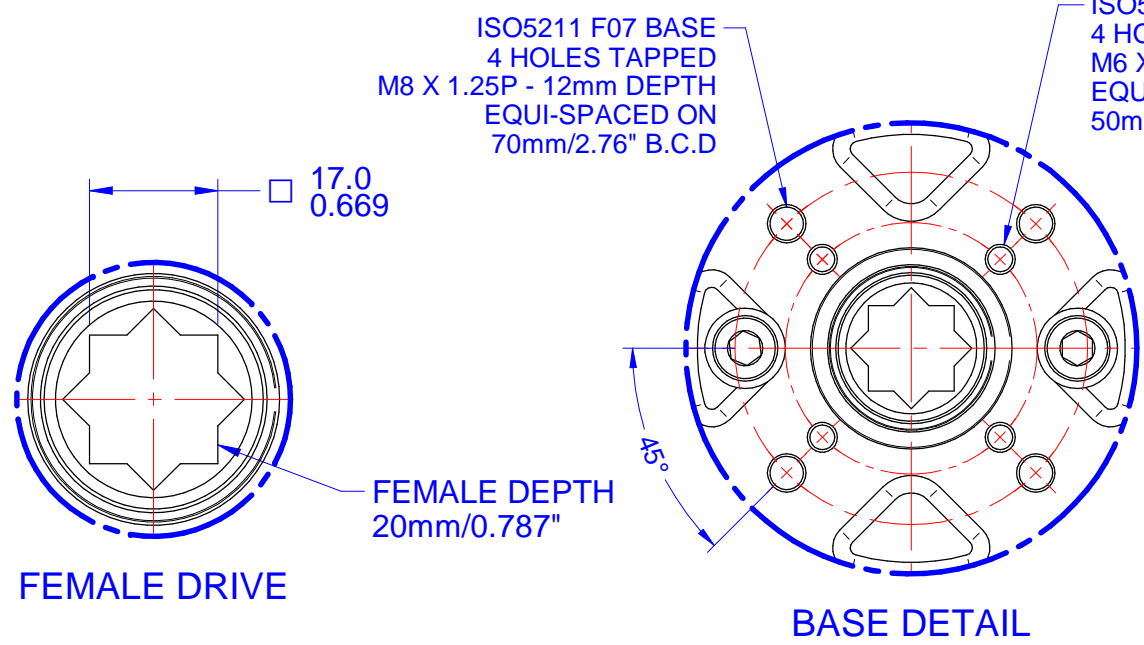
VISUAL INDICATION


NAMEPLATE



CONDUIT ENTRIES
2 X 1/2" N.P.T.

- Notes:
- 1) All dimensions are in mm/INCHES.
 - 2) Actuator shown is in the fully clockwise closed position.
 - 3) Enclosure - Watertight CSA Nema 4X.
 - 4) ** Designates cover removal allowance.





Innovative Actuation Incorporated

1-215 Traders Blvd. Mississauga, Ontario Canada L4Z-3K5 www.ivact.com

TITLE:
**Dimensional Drawing for iVact Model
iVQ-DNWL Electric Actuator**

DOC. NO.: IV-2083	DATE: August 28/2018
----------------------	-------------------------

DRAWING NO.:
iVQ-DNWL