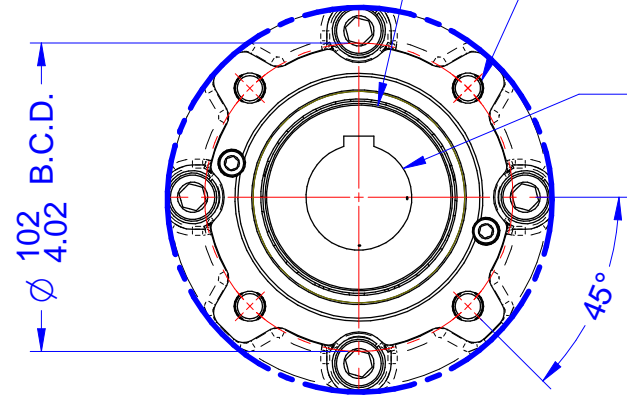


REMOVE STEM NUT FROM BASE FOR MACHINING
REFERENCE DIA. - $\varnothing 62\text{mm}$
REFERENCE LENGTH - 50mm

ISO5211 F10 BASE
4 HOLES TAPPED
M10 X 1.5P - 15mm DEPTH
EQUI-SPACED ON
102mm/4.016" B.C.D.

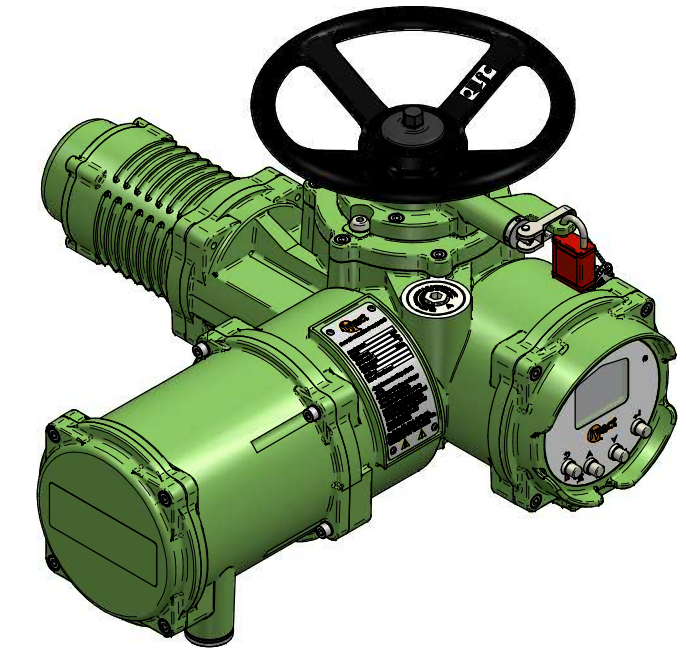
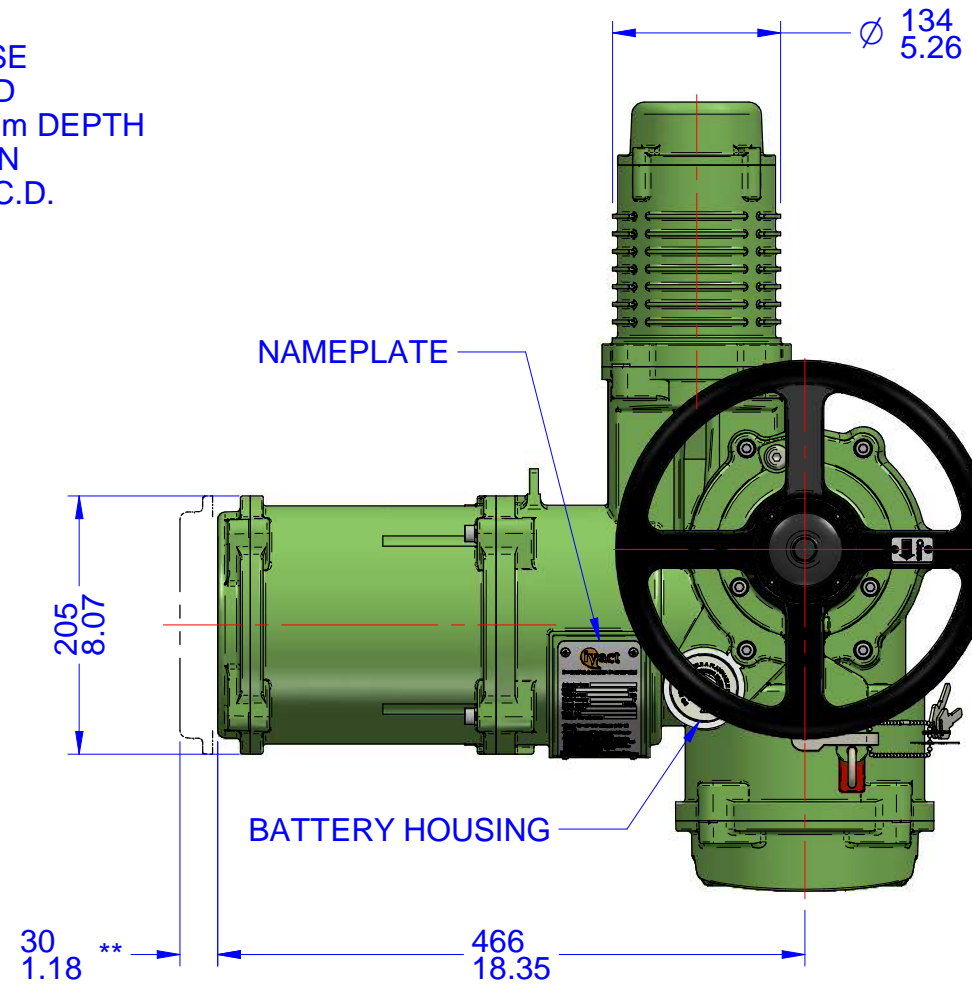
MAX STEM
ACCEPTANCE
35mm / 1-3/8"



BASE DETAIL
VIEW ON ARROW 'A'

NAMEPLATE

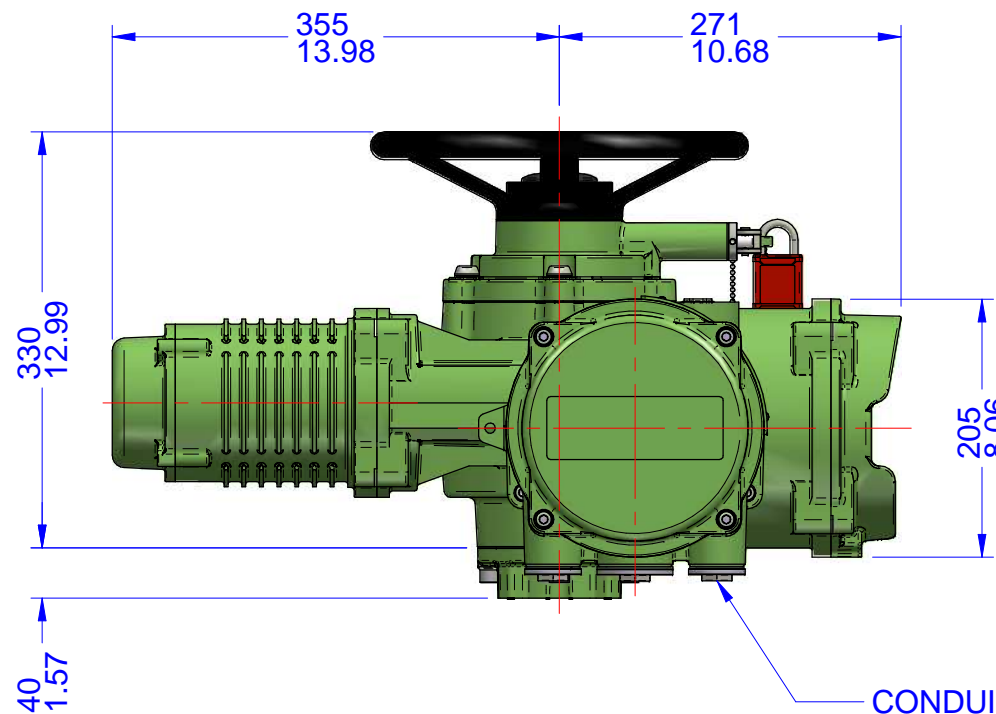
BATTERY HOUSING



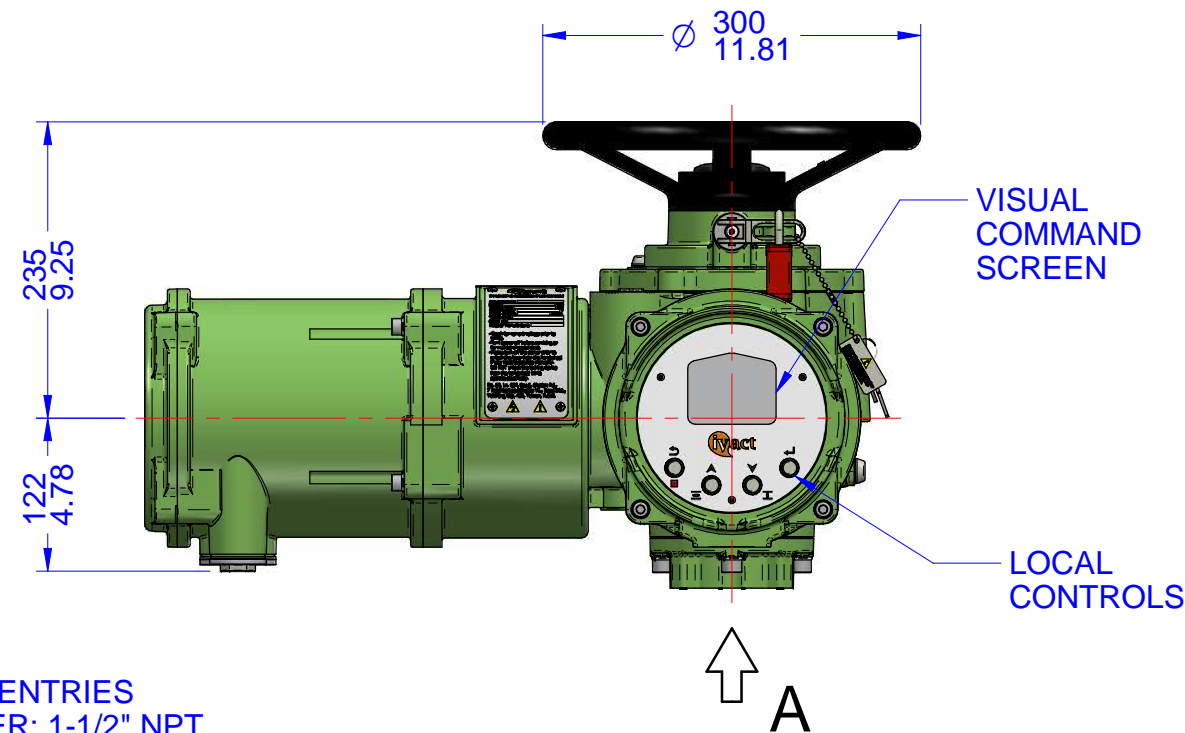
Actuator Performance Data				
Voltage	Max Torque	RPM	Running Current	Motor Power
220-1-60	74 lbs.ft.	15-45	6.0 Amps	735 Watts

Notes:

- 1) All dimensions are in mm/INCHES.
- 2) Actuator shown is in the fully clockwise closed position.
- 3) Enclosure - Watertight CSA Nema 4X.
- 4) ** Designates cover removal allowance.
- 5) Actuator Weight: 115 lbs / 52 KG.
- 6) The interface provided for mounting the actuator or second stage gearbox onto the valve should conform to good engineering practices, ensuring adequately toleranced limits for parallelism, perpendicularity and concentricity.



CONDUIT ENTRIES
1 X CENTER: 1-1/2" NPT
2 X ENDS: 1" NPT



VISUAL
COMMAND
SCREEN

LOCAL
CONTROLS



Innovative Actuation Incorporated

1-215 Traders Blvd. Mississauga, Ontario Canada L4Z-3K5 www.ivact.com

TITLE:

**Dimensional Drawing for iVact Model
iVM-2DWN Electric Actuator
(For Non-Rising Stems)**

DOC. NO.:

IV-2098

DATE:

March 31/2020

DRAWING NO.:

iVM-2DWN