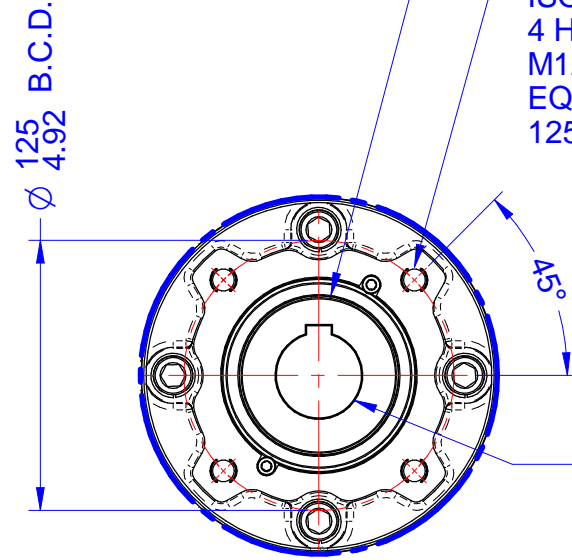
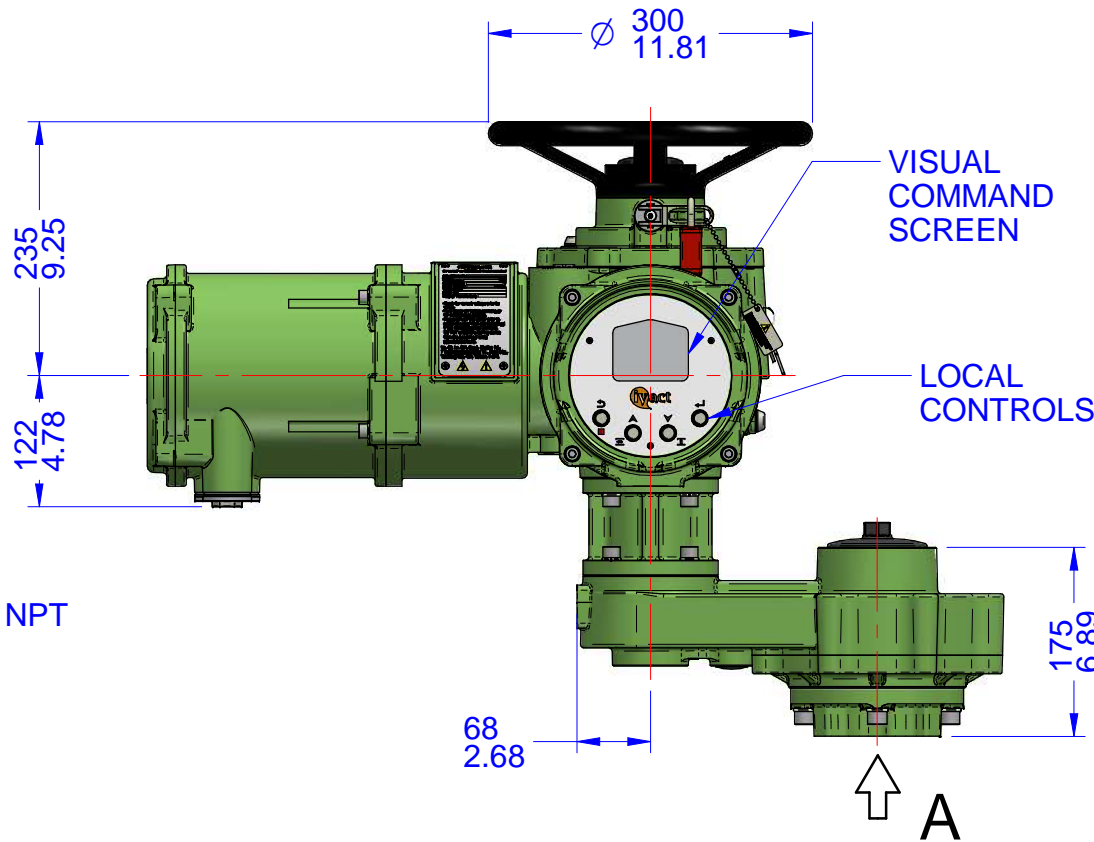
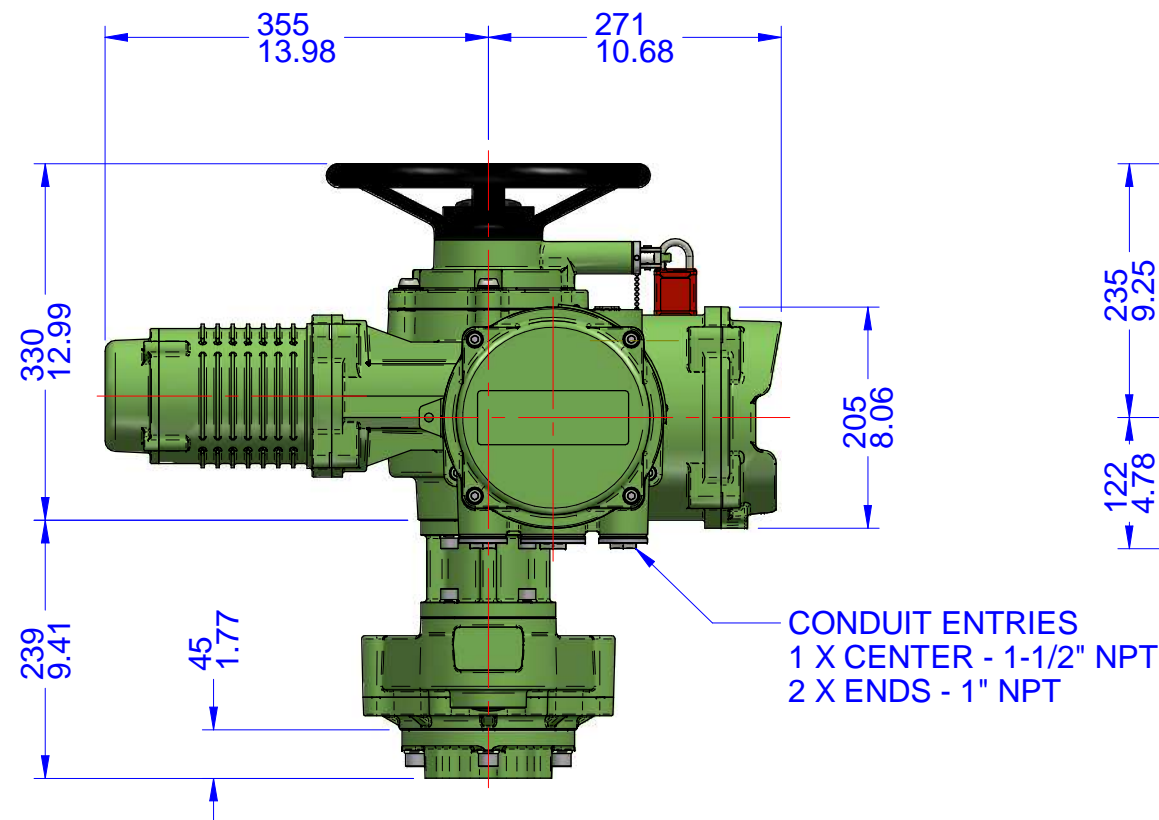
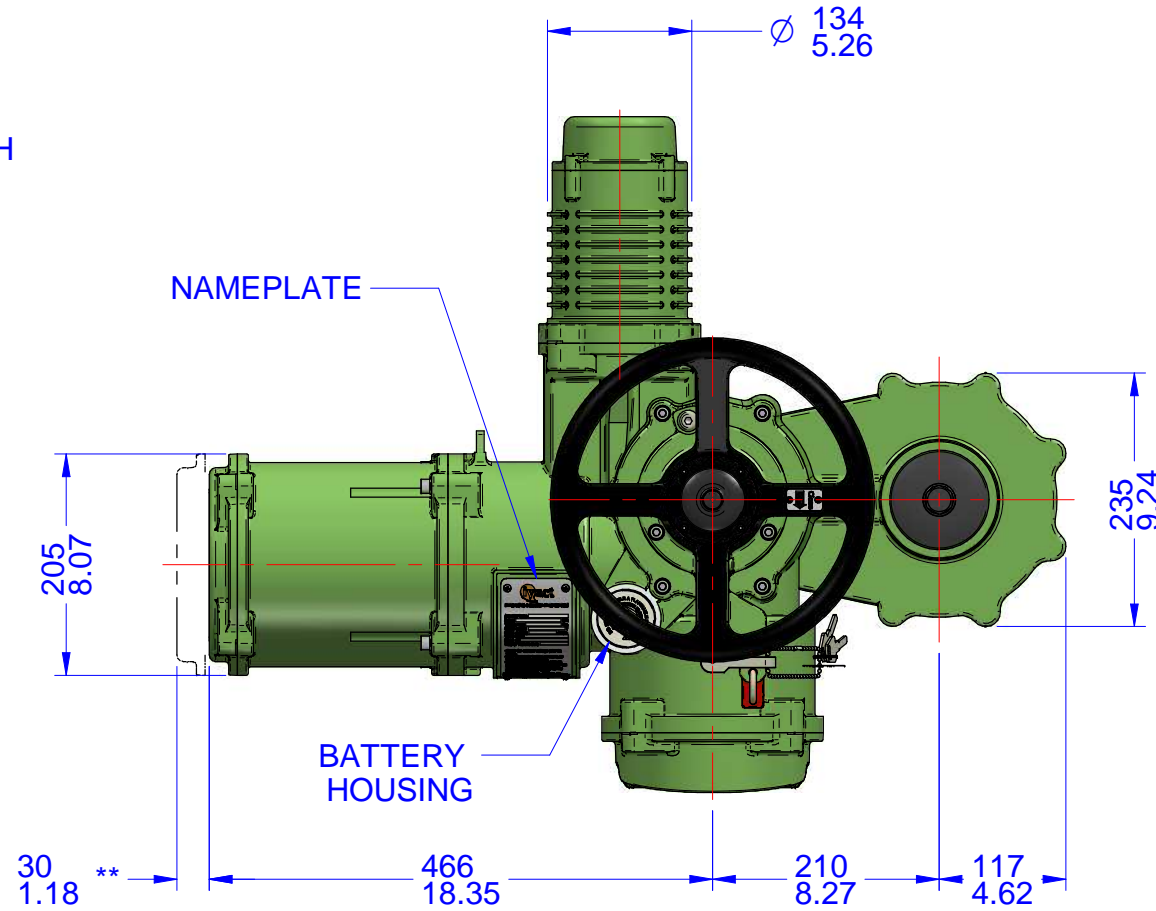


REMOVE STEM NUT FROM BASE FOR MACHINING REFERENCE DIA. - $\varnothing 72\text{mm}$ REFERENCE LENGTH - 53mm

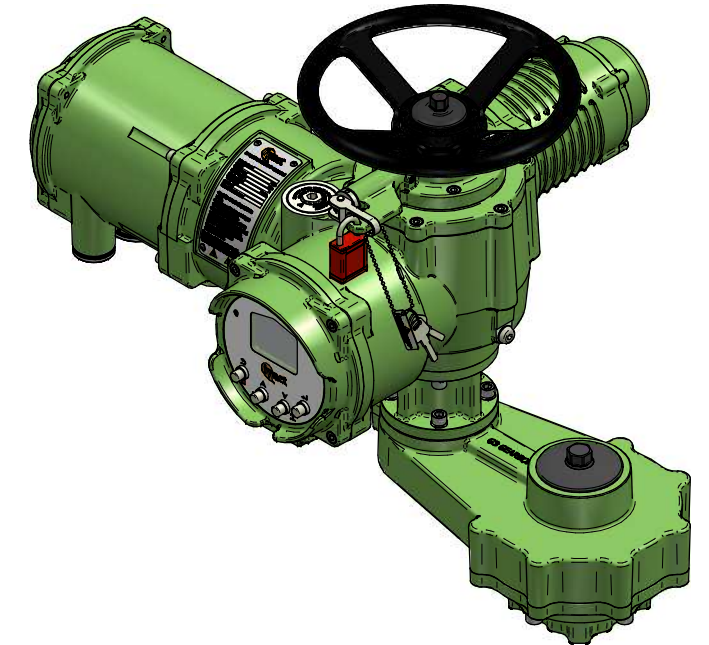


BASE DETAILS VIEW ON ARROW 'A'

ISO5211 F12 BASE
4 HOLES TAPPED
M12 X 1.75P - 25mm DEPTH
EQUI-SPACED ON
125mm/4.920" B.C.D.



Actuator Performance Data				
Voltage	Max Torque	RPM	Running Current	Motor Power
220-1-60	120 lbs.ft.	30-90	7.1 Amps	735 Watts



Notes:

- 1) All dimensions are in mm/INCHES.
- 2) Actuator shown is in the fully clockwise closed position.
- 3) Enclosure - Watertight CSA Nema 4X.
- 4) ** Designates cover removal allowance.
- 5) Actuator Weight: 163 lbs / 74 KG.
- 6) The interface provided for mounting the actuator or second stage gearbox onto the valve should conform to good engineering practices, ensuring adequately toleranced limits for parallelism, perpendicularity and concentricity.



Innovative Actuation Incorporated

1-215 Traders Blvd. Mississauga, Ontario Canada L4Z-3K5 www.ivact.com

TITLE:

**Dimensional Drawing for ivact Model
iVM-2BW0 Electric Actuator with SG201N
Spur Gear (For Non-Rising Stems)**

DOC. NO.:

IV-2100

DATE:

March 31/2020

DRAWING NO.:

iVM-2BW0/SG201N