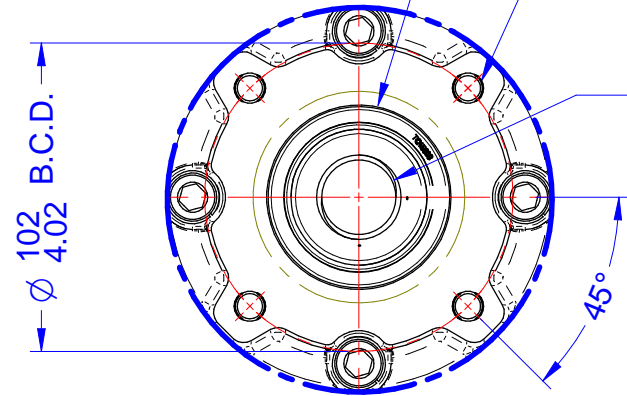


REMOVE STEM NUT FROM BASE FOR MACHINING  
REFERENCE DIA. -  $\varnothing 60\text{mm}$   
REFERENCE LENGTH - 77mm

ISO5211 F10 BASE  
4 HOLES TAPPED  
M10 X 1.5P - 15mm DEPTH  
EQUI-SPACED ON  
102mm/4.016" B.C.D.

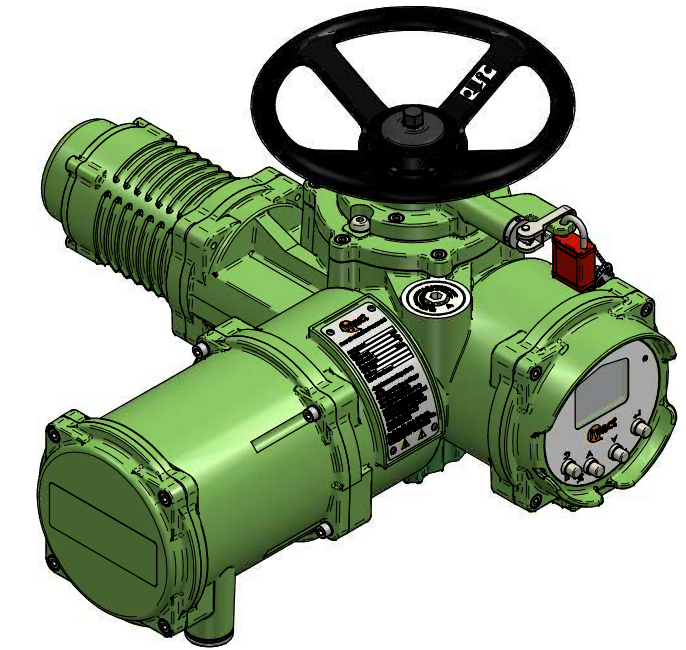
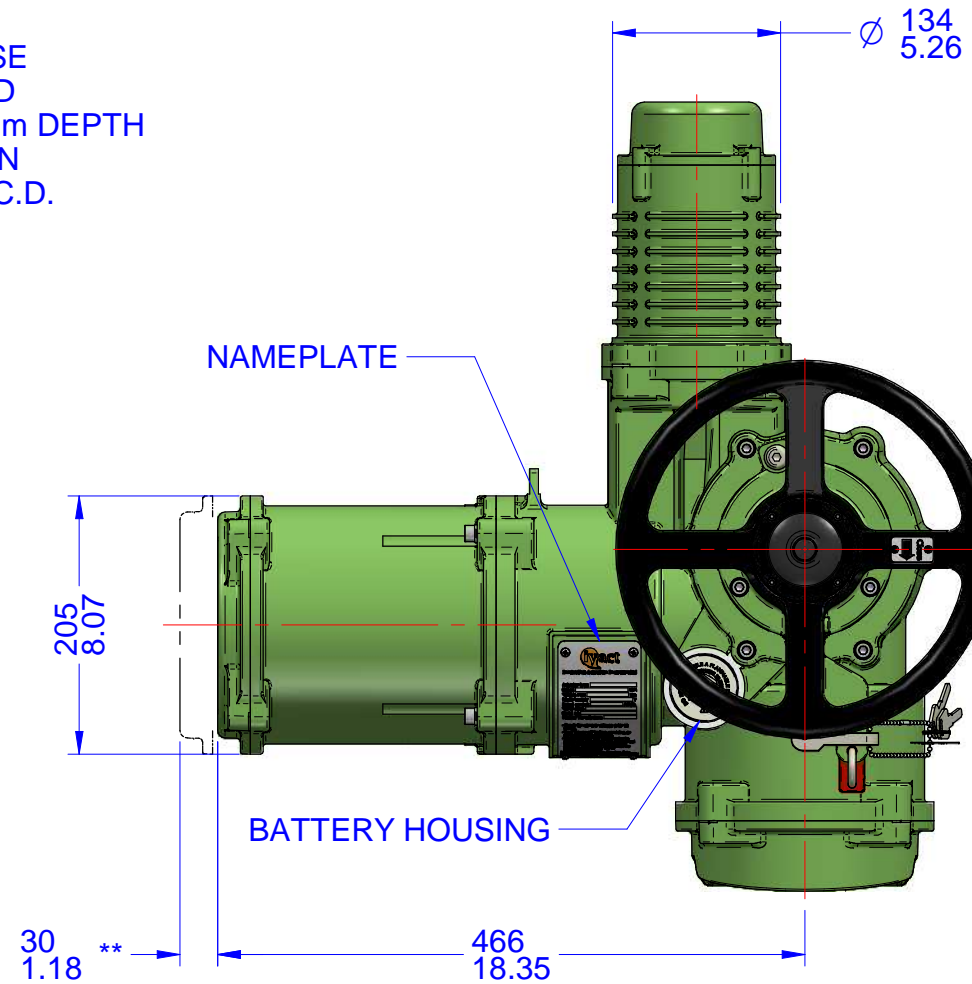
MAX STEM  
ACCEPTANCE  
32mm / 1.26"



BASE DETAIL  
VIEW ON ARROW 'A'

NAMEPLATE

BATTERY HOUSING

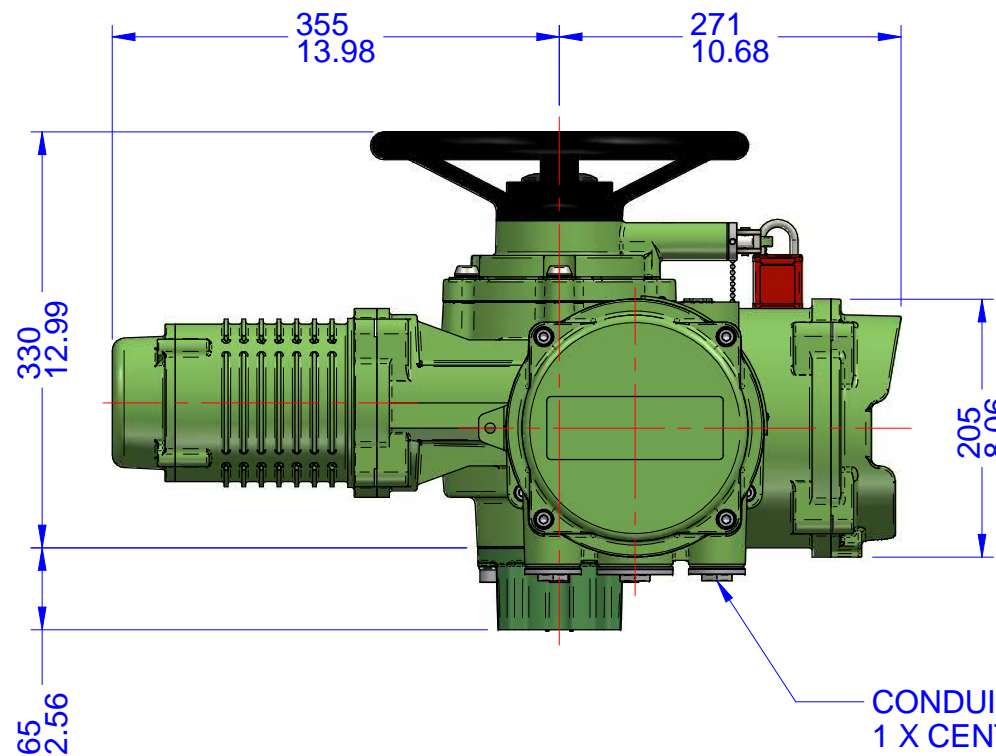


Actuator Performance Data

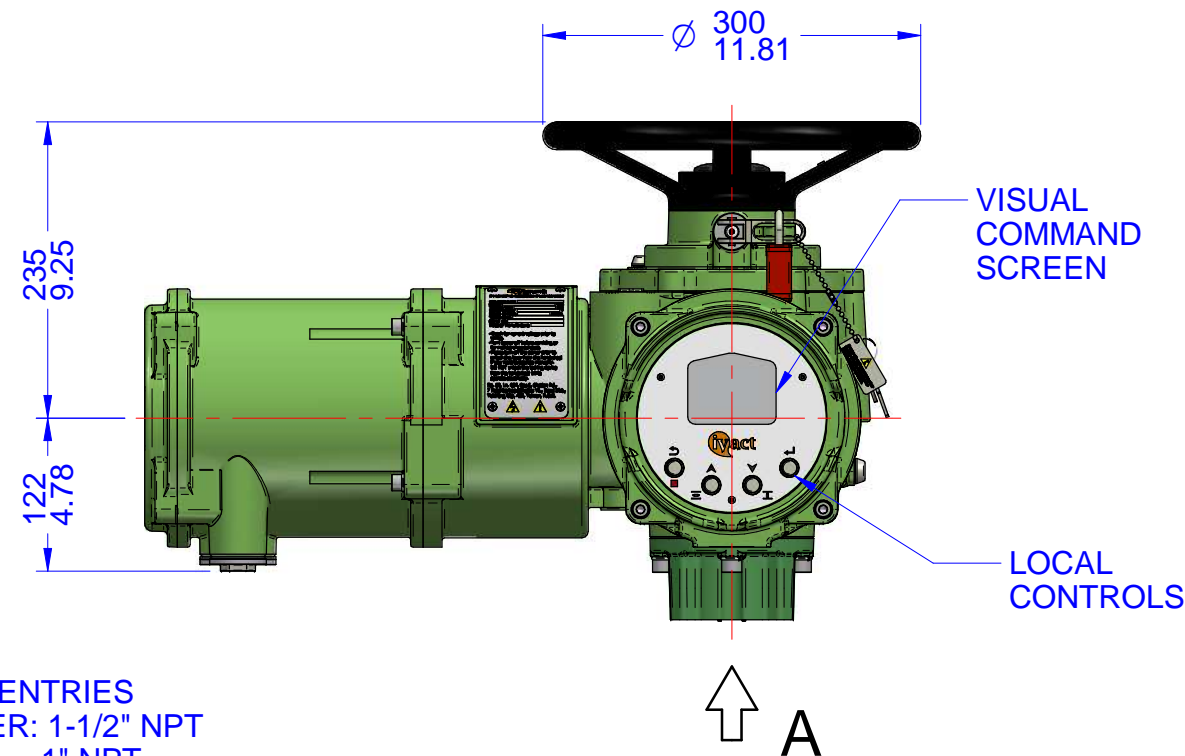
Voltage	Max Torque	RPM	Running Current	Motor Power
220-1-60	41 lbs.ft.	30-90	7.1 Amps	735 Watts

Notes:

- 1) All dimensions are in mm/INCHES.
- 2) Actuator shown is in the fully clockwise closed position.
- 3) Enclosure - Watertight CSA Nema 4X.
- 4) \*\* Designates cover removal allowance.
- 5) Actuator Weight: 121 lbs / 55 KG.
- 6) The interface provided for mounting the actuator or second stage gearbox onto the valve should conform to good engineering practices, ensuring adequately toleranced limits for parallelism, perpendicularity and concentricity.



CONDUIT ENTRIES  
1 X CENTER: 1-1/2" NPT  
2 X ENDS: 1" NPT



Innovative Actuation Incorporated

1-215 Traders Blvd. Mississauga, Ontario Canada L4Z-3K5 www.ivact.com

TITLE:

**Dimensional Drawing for iVact Model  
iVM-2BWR Electric Actuator  
(For Rising Stems)**

DOC. NO.:

IV-2109

DATE:

March 31/2020

DRAWING NO.:

**iVM-2BWR**