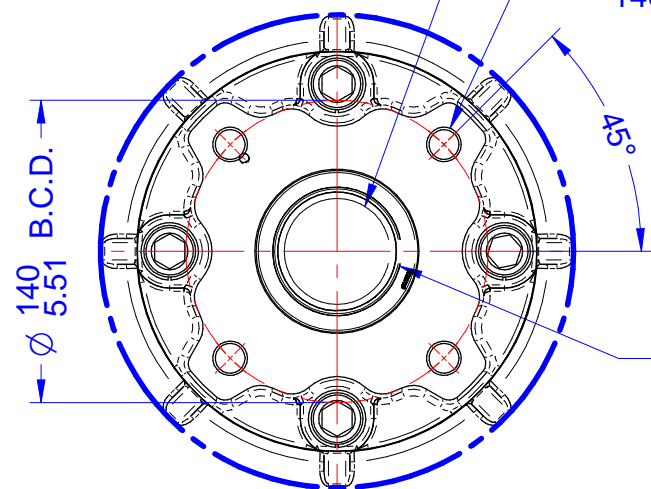


REMOVE STEM NUT FROM BASE FOR MACHINING REFERENCE DIA. - $\varnothing 89\text{mm}$ REFERENCE LENGTH - 97mm

ISO5211 F14 BASE
4 HOLES TAPPED
M16 X 2.0P - 24mm DEPTH
EQUI-SPACED ON
140mm/5.512" B.C.D.

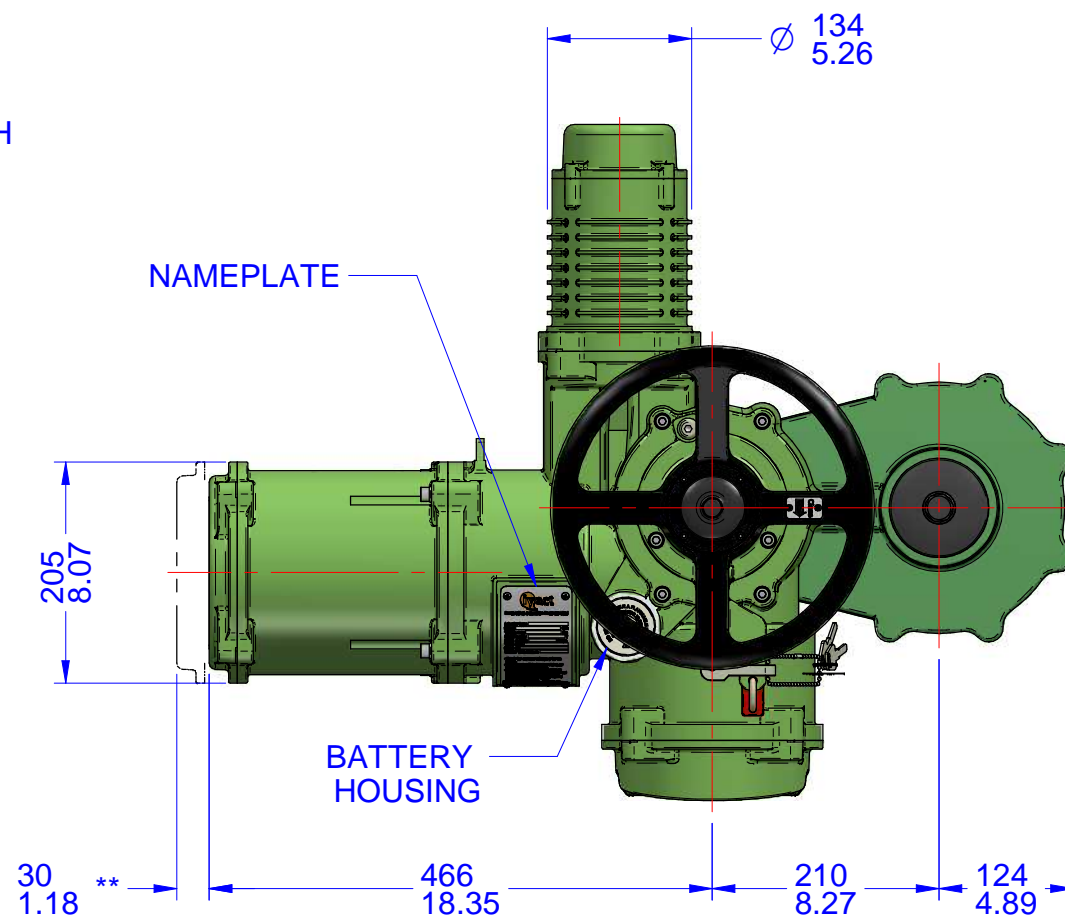
MAX STEM ACCEPTANCE
 $\varnothing 55\text{mm} / \varnothing 2.17"$



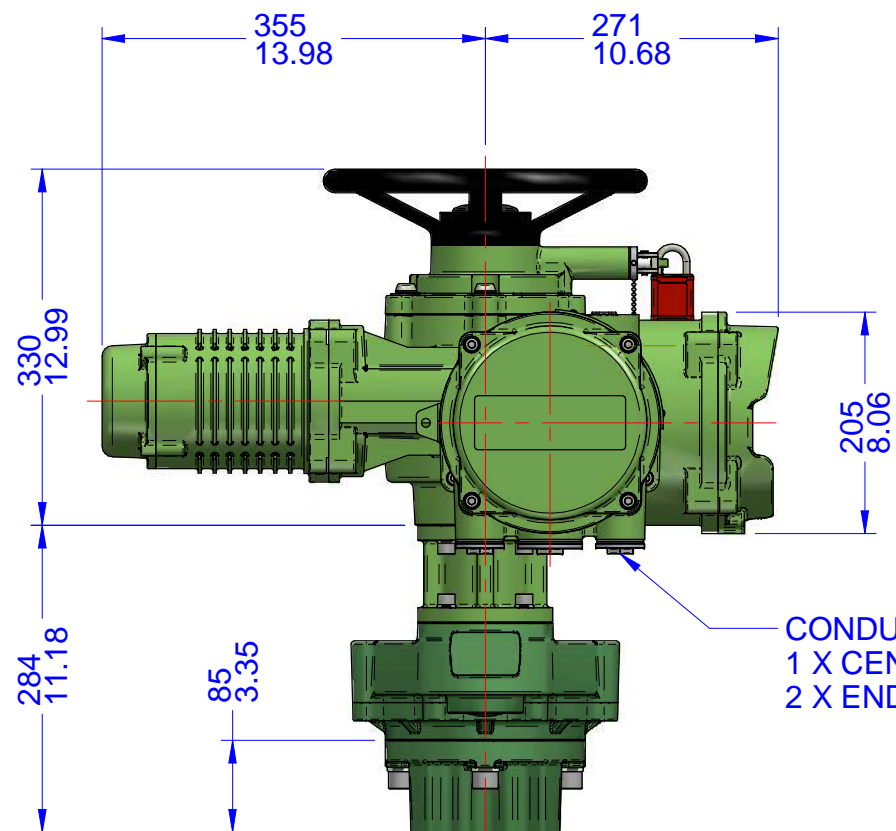
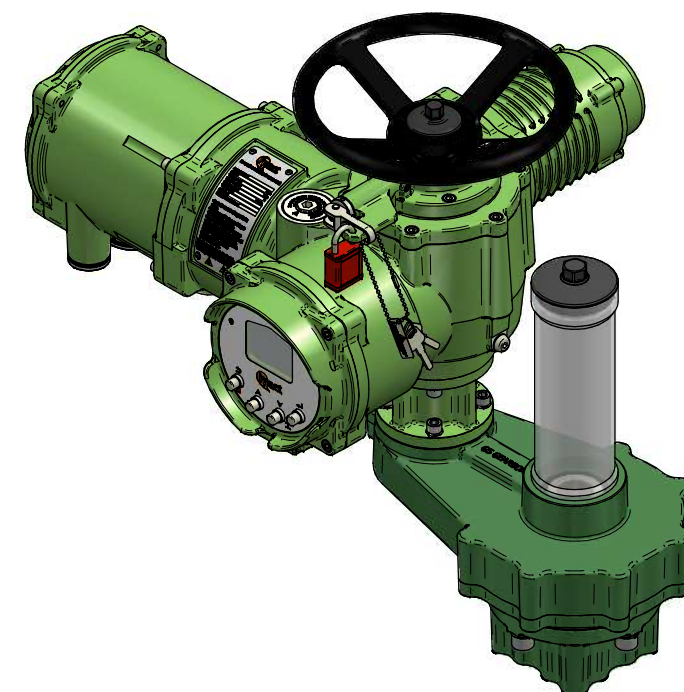
BASE DETAILS
VIEW ON ARROW 'A'

NAMEPLATE

BATTERY HOUSING



Actuator Performance Data				
Voltage	Max Torque	RPM	Running Current	Motor Power
220-1-60	152 lbs.ft.	40-120	7.1 Amps	735 Watts

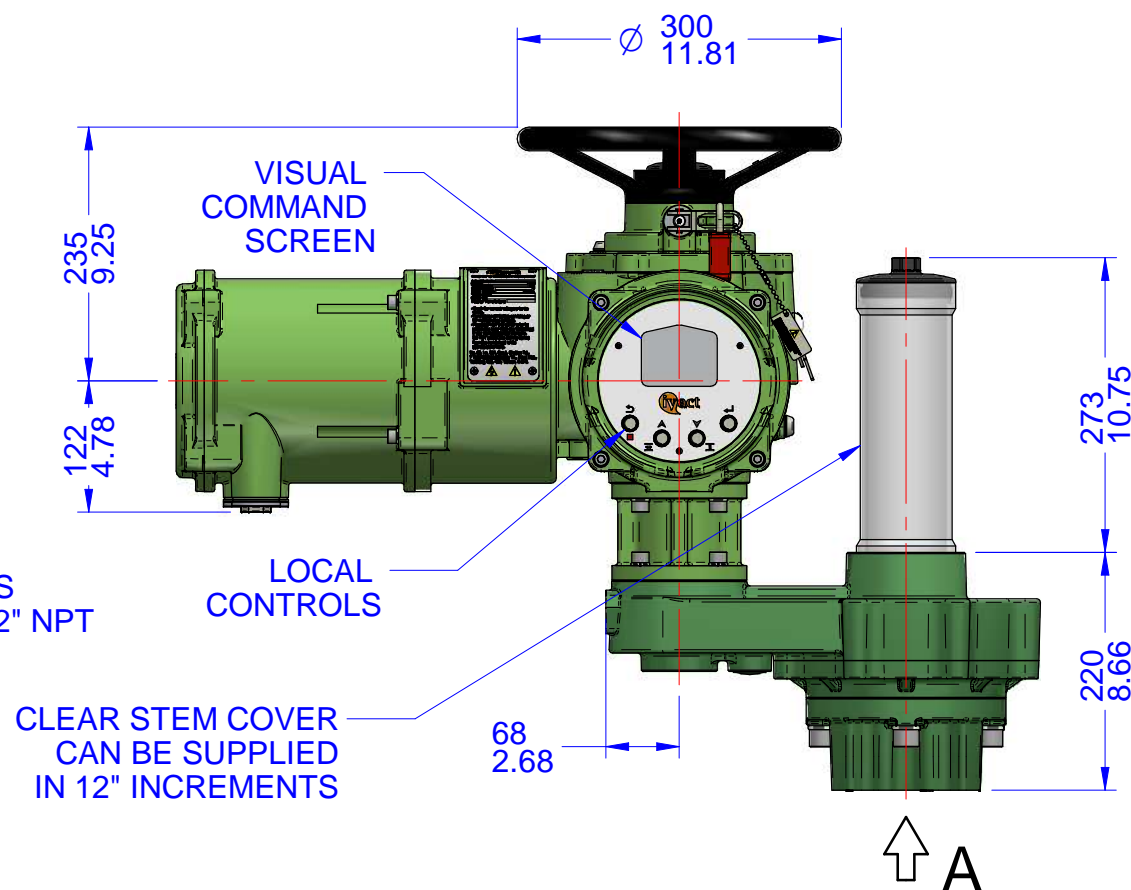


CONDUIT ENTRIES
1 X CENTER - 1-1/2" NPT
2 X ENDS - 1" NPT

VISUAL COMMAND SCREEN

LOCAL CONTROLS

CLEAR STEM COVER CAN BE SUPPLIED IN 12" INCREMENTS



Notes:

- 1) All dimensions are in mm/INCHES.
- 2) Actuator shown is in the fully clockwise closed position.
- 3) Enclosure - Watertight CSA Nema 4X.
- 4) ** Designates cover removal allowance.
- 5) Actuator Weight: 176 lbs / 80 KG.
- 6) The interface provided for mounting the actuator or second stage gearbox onto the valve should conform to good engineering practices, ensuring adequately tolerated limits for parallelism, perpendicularity and concentricity.



Innovative Actuation Incorporated

1-215 Traders Blvd. Mississauga, Ontario Canada L4Z-3K5 www.ivact.com

TITLE:

**Dimensional Drawing for ivact Model
iVM-2AW0 Electric Actuator with SG202R
Spur Gear (For Rising Stems)**

DOC. NO.:

IV-2115

DATE:

March 31/2020

DRAWING NO.:

iVM-2AW0/SG202R