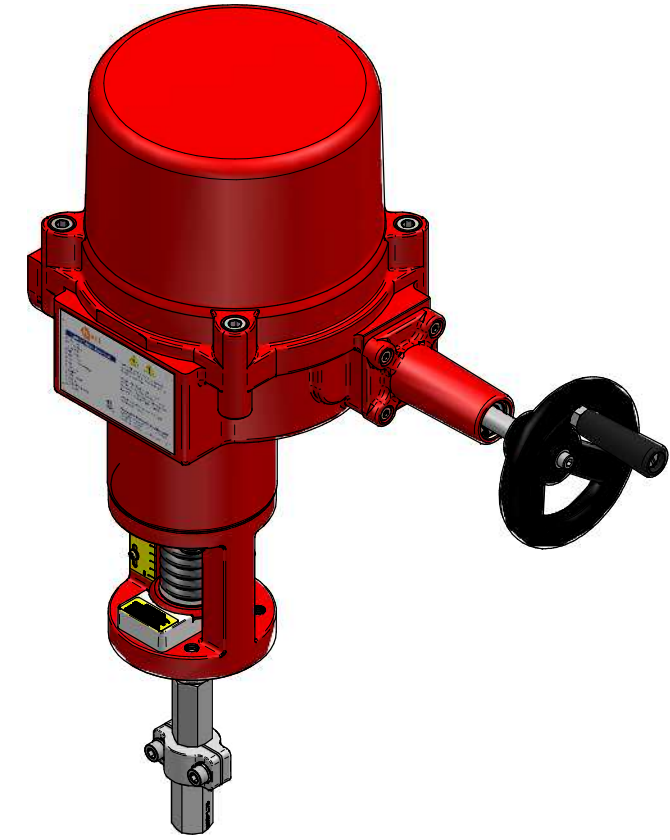
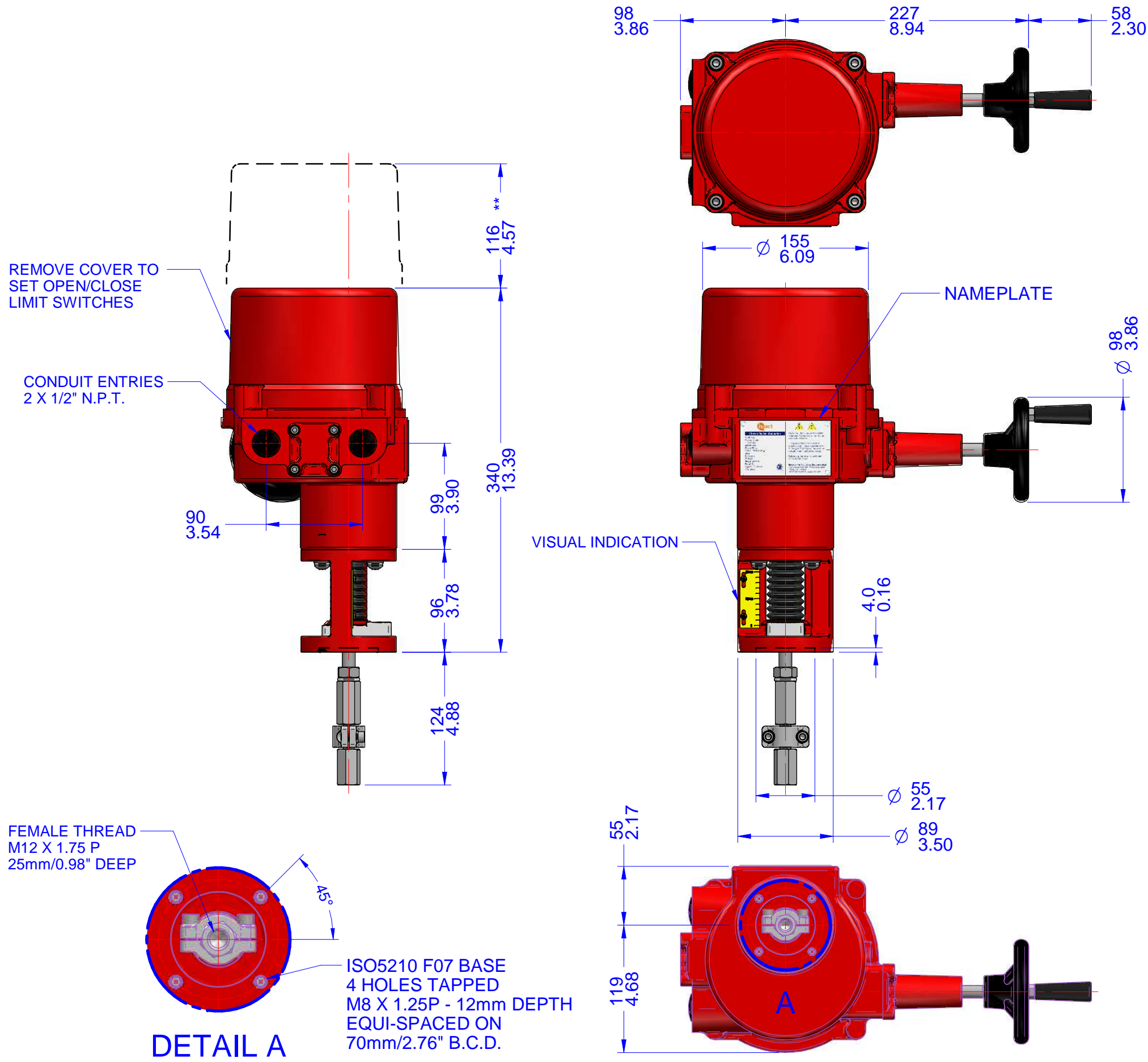


| | | | |
|------------------|-------------|------|------|
| 03 | | | |
| 02 | | | |
| 01 | | | |
| 00 | | | |
| REV | DESCRIPTION | DATE | APVD |
| REVISION HISTORY | | | |



- Notes:
- 1) All dimensions are in mm/INCHES.
 - 2) Actuator shown is in the fully clockwise closed position.
 - 3) Enclosure - Explosionproof rated IEC EXD.
 - 4) ** Designates cover removal allowance.

ivact
Innovative Actuation Incorporated
 1-215 Traders Blvd. Mississauga, Ontario Canada L4Z-3K5 www.ivact.com

TITLE:
**Dimensional Drawing for ivact Model iVL-BHEN
 Linear Electric Actuator with Manual Override**

DOC. NO.: IV-2085 DATE: June 28/2018

DRAWING. NO.: **iVL-BHEN**