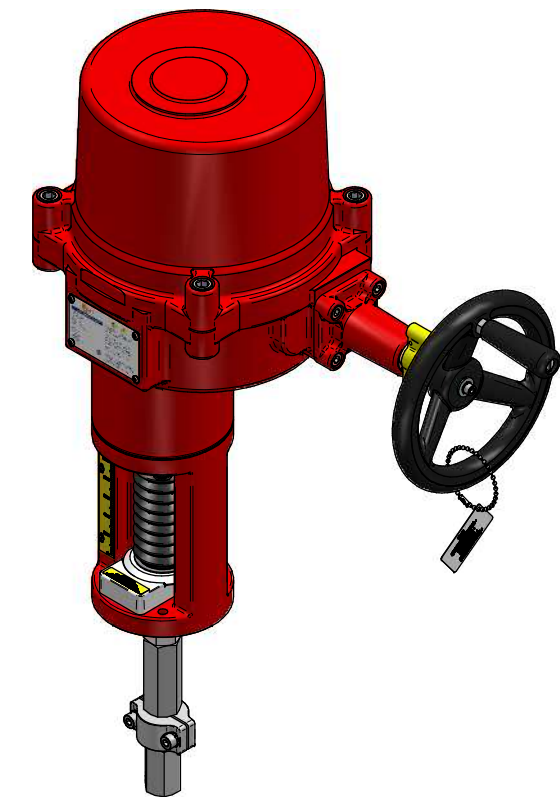
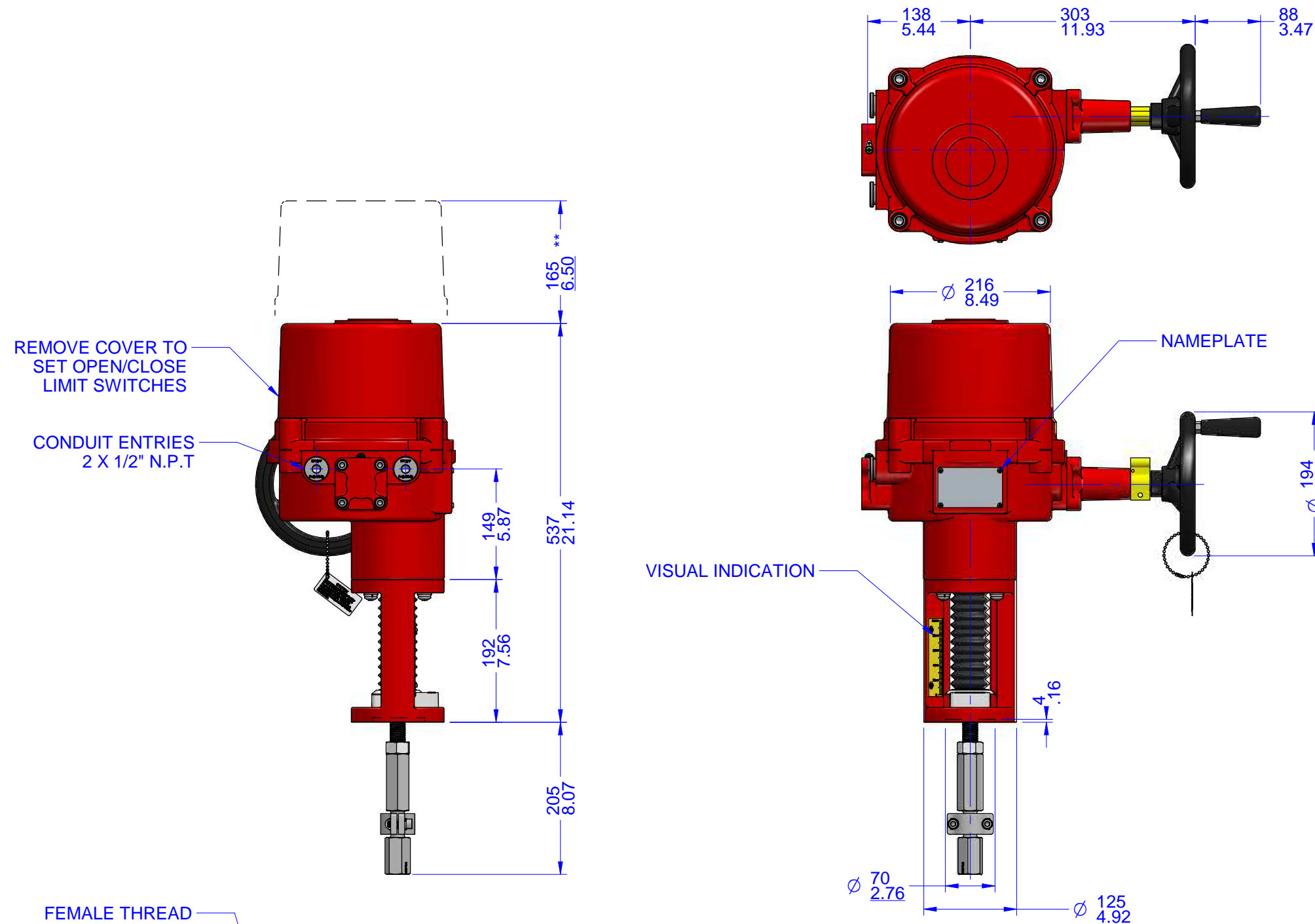
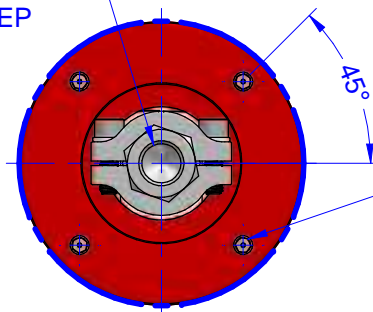


03			
02			
01			
00			
REV	DESCRIPTION	DATE	APVD
REVISION HISTORY			



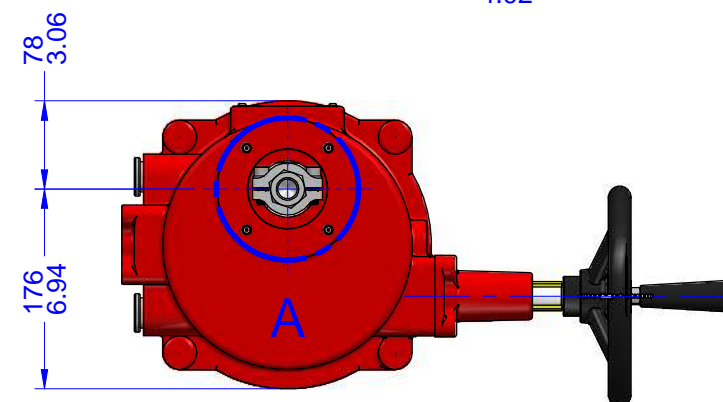
- Notes:
- 1) All dimensions are in mm/INCHES.
 - 2) Actuator shown is in the fully clockwise closed position.
 - 3) Enclosure - Explosionproof rated IEC EXD.
 - 4) ** Designates cover removal allowance.

FEMALE THREAD
M20 X 2.5 P
35mm/1.38" DEEP



DETAIL A

ISO5210 F10 BASE
4 HOLES TAPPED
M10 X 1.5P - 15mm DEPTH
EQ SP ON 102mm/4.02" B.C.D



Innovative Actuation Incorporated

1-215 Traders Blvd. Mississauga, Ontario Canada L4Z-3K5 www.ivact.com

TITLE:

Dimensional Drawing for iVact Model iVL-CHEN
Linear Electric Actuator with Manual Override

DOC. NO.: IV-2086

DATE: January 13/2021

DRAWING. NO.:

iVL-CHEN