

03			
02			
01			
00			
Rev	Description	Date	APVD

**Revision History**

Power Supply: 24V AC

CS: Control Switch  
 S1: Local / Remote Selector Switch  
 S2: OPEN / OFF / CLOSE Selector Switch  
 PE: Protective Earth  
 H: Heater  
 HT: Heater Thermostat  
 MT: Motor Thermostat  
 M: Motor  
 LS1: Limit Switch for OPEN (5A/250V AC)  
 LS2: Limit Switch for CLOSE (5A/250V AC)  
 LS3: SPDT Auxiliary Limit Switch (5A/250V AC)  
 LS4: SPDT Auxiliary Limit Switch (5A/250V AC)  
 TS: Torque Switches (optional)

Notes:

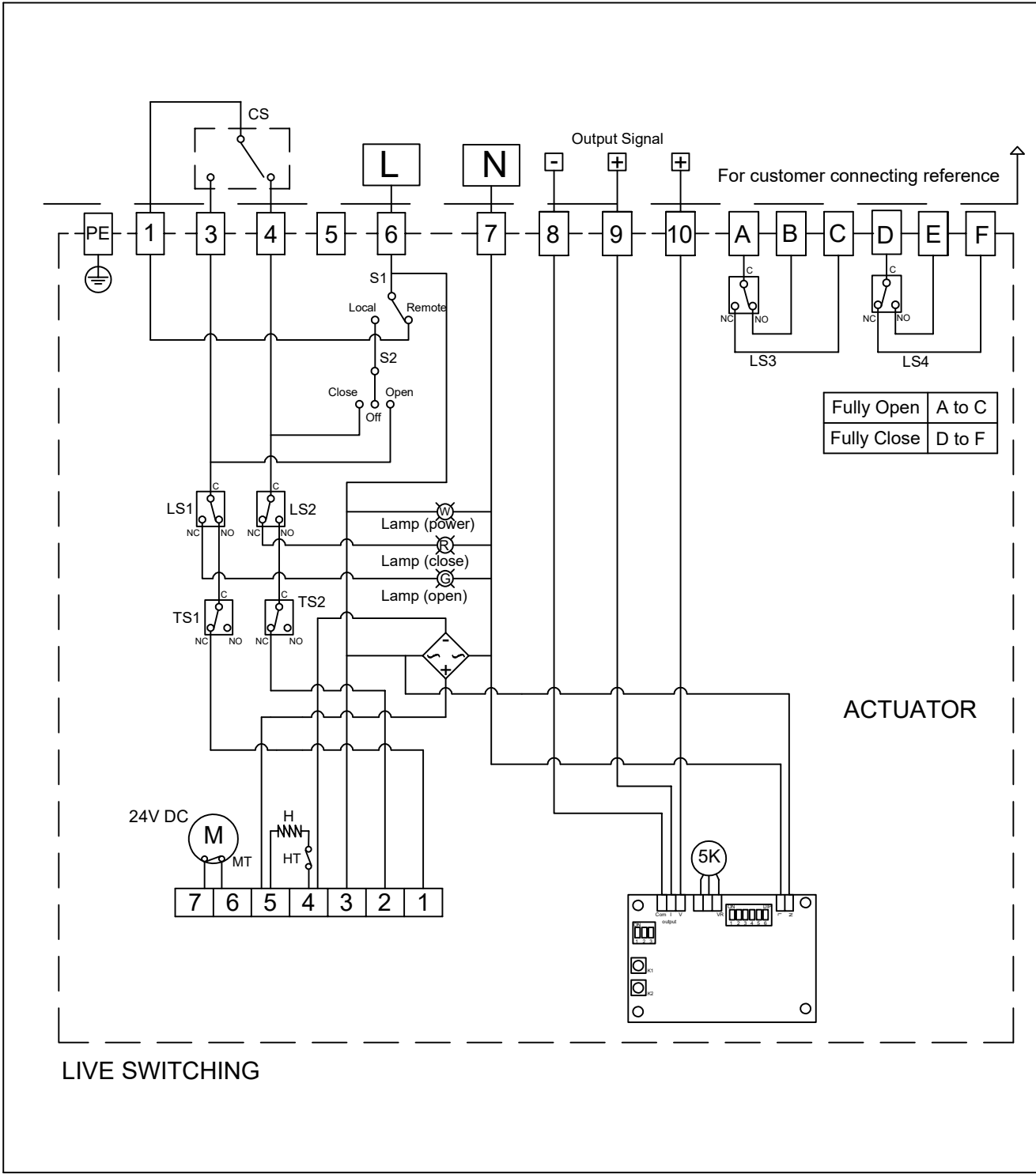
- "L" connects to 6, "N" connects to 7.
- Select "Remote" Mode : 1 connects to 3 for "OPEN".
- Select "Remote" Mode : 1 connects to 4 for "CLOSE".
- Select "Local" Mode : Controlled by S2.
- #8 and #9 are for current output signal (4-20mA), #8 and #10 are for voltage output signal (2-10V).
- Wiring is shown with Actuator Fully Closed.
- Applicable to Actuator models iVQ-M, N.**

  
**Innovative Actuation Incorporated**  
 1-215 Traders Blvd. Mississauga, Ontario Canada www.ivact.com

**DESCRIPTION:**  
 24V AC ON/OFF with Heater, Thermostat,  
 Auxiliary Switches, 4-20mA Feedback and  
 Local Control Unit 75% Duty

WIRING DIAGRAM CODE: **QH** | DATE: **APR. 21/2018**

WIRING DIAGRAM NO.: **Q-1EL21N3N-3**



Fully Open	A to C
Fully Close	D to F