

| | | | |
|-----|-------------|------|------|
| 03 | | | |
| 02 | | | |
| 01 | | | |
| 00 | | | |
| Rev | Description | Date | APVD |

Revision History

Power Supply: 24V AC or DC

- CS: Control Switch
- S1: Local / Remote Selector Switch
- S2: OPEN / OFF / CLOSE Selector Switch
- PE: Protective Earth
- H: Heater
- HT: Heater Thermostat
- MT: Motor Thermostat
- M: Motor
- LS1: Limit Switch for OPEN (5A/250V AC)
- LS2: Limit Switch for CLOSE (5A/250V AC)
- LS3: SPDT Auxiliary Limit Switch (5A/250V AC)
- LS4: SPDT Auxiliary Limit Switch (5A/250V AC)
- TS: Torque Switches (optional)
- RY1: Alarm Relay (optional)
- LR: Local Remote Contact (optional)

Notes:

- 1) "L/+" connects to 6, "N/-" connects to 7.
- 2) Local / Remote Switches
 Select "Remote" Mode : Controlled by signal.
 Select "Local" Mode : Controlled by S2.
- 3) Use less than 5A current for "A,B,C,D,E,F".
- 4) #8 connects with #10: local control feedback.
- 5) #8 connects with #9: remote control feedback.
- 6) #11 connects with #13: alarm feedback.
- 7) Wiring is shown with Actuator Fully Closed.

8) Applicable to Actuator models iVQ-E to L.



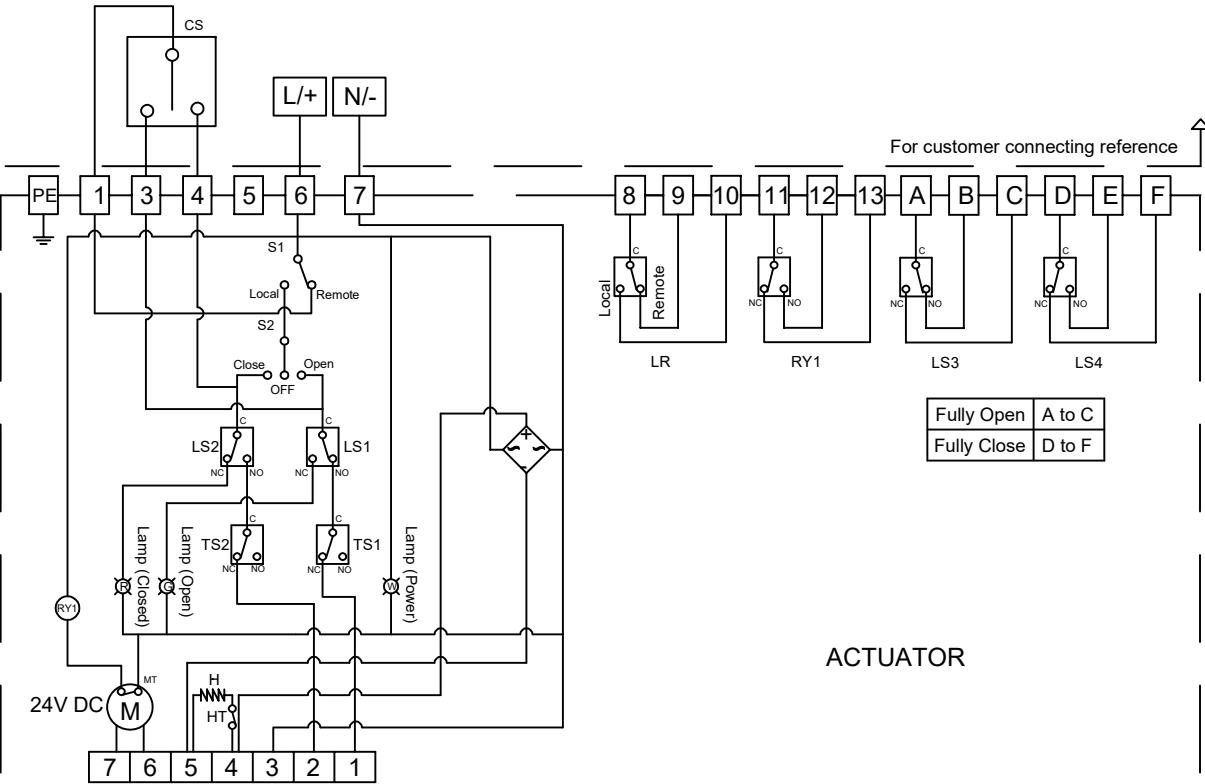
Innovative Actuation Incorporated

1-215 Traders Blvd. Mississauga, Ontario Canada www.ivact.com

DESCRIPTION:
 24V AC/DC ON/OFF with Heater, Thermostat,
 Auxiliary Switches and Local Control Unit
 75% Duty

WIRING DIAGRAM CODE: **QI** | DATE: **APR. 21/2019**

WIRING DIAGRAM NO.: **Q-1EL21NNN-2**



POSITIVE/LIVE SWITCHING