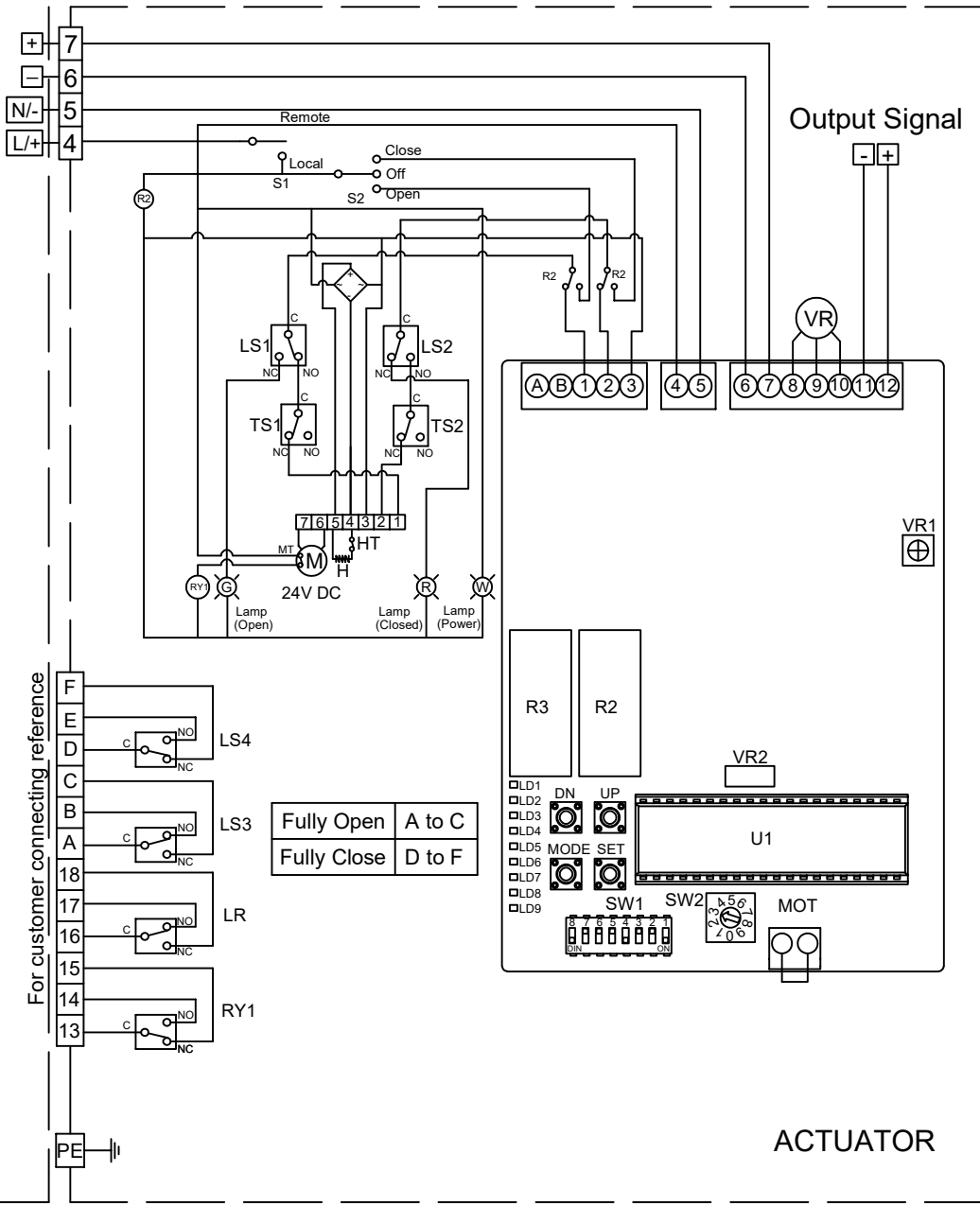


Input Signal
Power Supply



03			
02			
01			
00			
Rev	Description	Date	APVD

Revision History

- Power Supply: 24V AC or DC
- S1: Local/Remote Selector Switch
 - S2: OPEN/OFF/CLOSE Selector Switch
 - PE: Protective Earth
 - H: Heater
 - HT: Heater Thermostat
 - MT: Motor Thermostat
 - M: Motor
 - LS1: Limit Switch for OPEN (5A/250V AC)
 - LS2: Limit Switch for CLOSE (5A/250V AC)
 - LS3: SPDT Auxiliary Limit Switch (5A/250V AC)
 - LS4: SPDT Auxiliary Limit Switch (5A/250V AC)
 - TS: Torque Switches (optional)
 - RY1: Alarm Relay (optional)
 - LR: Local Remote Contact (optional)

Notes:

- 1) "L/+" connects to 4, "N/-" connects to 5.
- 2) Modulating Board:
Input Signal : 4-20mA, 2-10V.
Output Signal : 4-20mA, 2-10V.
(shielding wire not to exceed 30m / 98 ft.)
- 3) Local / Remote Switches
Select "Remote" Mode : Controlled by signal.
Select "Local" Mode : Controlled by S2.
- 4) Use less than 5A current for "A,B,C,D,E,F".
- 5) #16 connects with #18: local control feedback.
- 6) #16 connects with #17: remote control feedback.
- 7) #13 connects with #15: alarm feedback.
- 8) Wiring is shown with Actuator Fully Closed.
- 9) **Applicable to Actuator models iVQ-E to L.**



Innovative Actuation Incorporated

1-215 Traders Blvd. Mississauga, Ontario Canada www.ivact.com

DESCRIPTION:
24V AC/DC Modulating with Heater,
Thermostat, Auxiliary Switches, 4-20mA
Feedback and Local Control Unit 75% Duty

WIRING DIAGRAM CODE: **QL** DATE: **APR. 21/2019**

WIRING DIAGRAM NO.: **Q-1FL21N3N-1**