

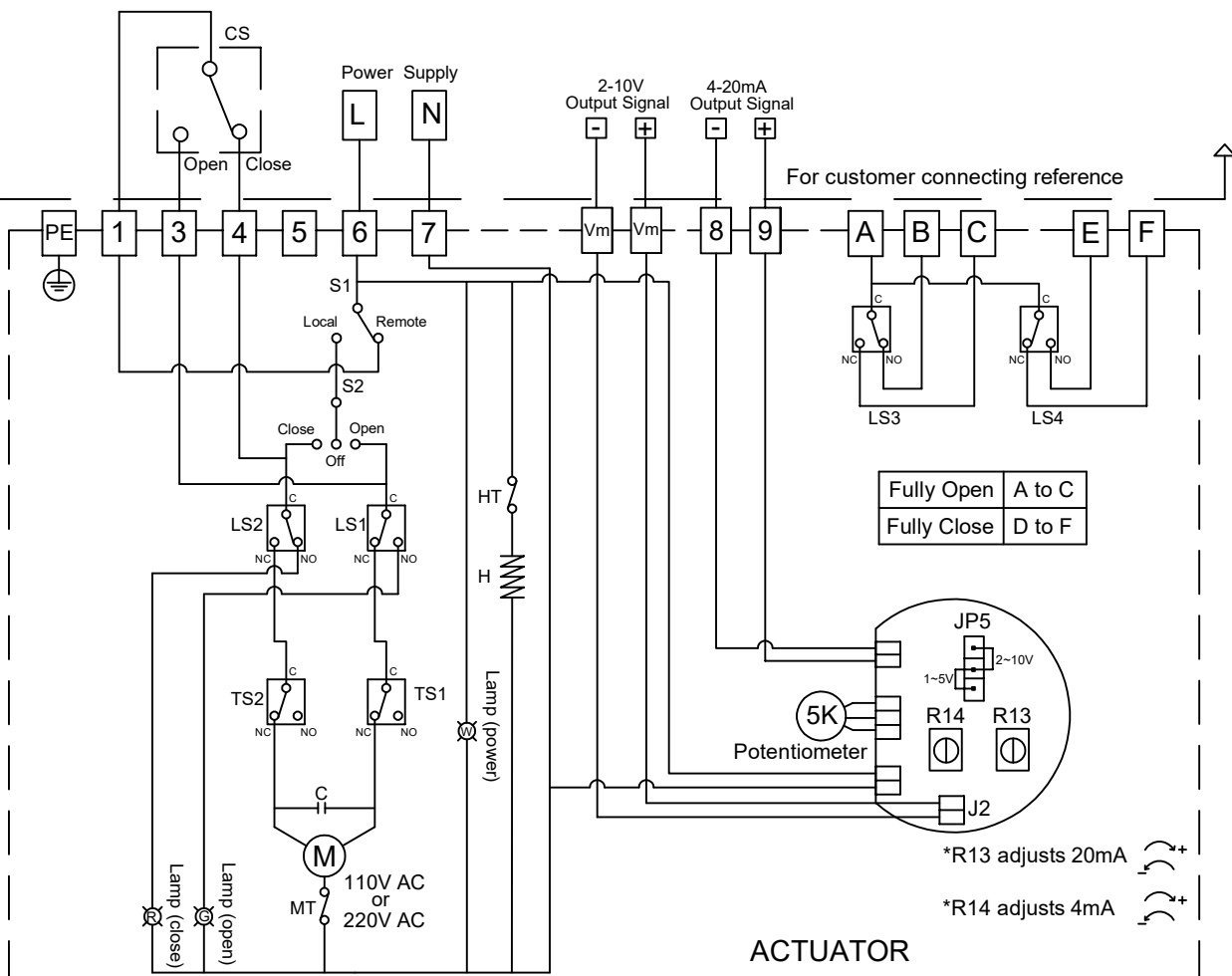
03			
02			
01			
00			
Rev	Description	Date	APVD

Revision History

Power Supply: 110-120V AC or 220-240V AC

CS: Control Switch
S1: Local/Remote Selector Switch
S2: OPEN / OFF / CLOSE Selector Switch
PE: Protective Earth
H: Heater
HT: Heater Thermostat
MT: Motor Thermostat
C: Capacitor
M: Motor
LS1: Limit Switch for OPEN (3A/250V AC)
LS2: Limit Switch for CLOSE (3A/250V AC)
LS3: SPDT Auxiliary Limit Switch (3A/250V AC)
LS4: SPDT Auxiliary Limit Switch (3A/250V AC)
TS: Torque Switches (optional)


Notes:
1) "L" connects to 6, "N" connects to 7.
2) Select "Remote" Mode : 1 connects to 3 for "OPEN".
3) Select "Remote" Mode : 1 connects to 4 for "CLOSE".
4) Select "Local" Mode : Controlled by S2.
5) JP5 : MODE (2-10V), J2 : Signal Output (2-10V).
6) Wiring is shown with Actuator Fully Closed.
7) **Applicable to Actuator models iVQ-C, D.**



Fully Open	A to C
Fully Close	D to F

ACTUATOR

LIVE SWITCHING



Innovative Actuation Incorporated

1-215 Traders Blvd. Mississauga, Ontario Canada www.ivact.com

DESCRIPTION:
110/220V AC ON/OFF with Heater, Thermostat, Auxiliary Switches, 4-20mA Feedback and Local Control Unit 30% Duty

WIRING DIAGRAM CODE: **Q0** DATE: **APR. 21/2018**

WIRING DIAGRAM NO.: **Q-2AL21N3N-1**