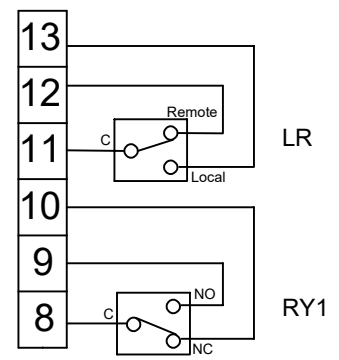


ACTUATOR

LIVE SWITCHING

For customer connecting reference

Fully Open	A to C
Fully Close	D to F



03			
02			
01			
00			
Rev	Description	Date	APVD

Revision History

Power Supply: 110-120V AC or 220-240V AC

- CS: Control Switch
- S1: Local/Remote Selector Switch
- S2: OPEN / OFF / CLOSE Selector Switch
- PE: Protective Earth
- H: Heater
- HT: Heater Thermostat
- MT: Motor Thermostat
- C: Capacitor
- M: Motor
- LS1: Limit Switch for OPEN (3A/250V AC)
- LS2: Limit Switch for CLOSE (3A/250V AC)
- LS3: SPDT Auxiliary Limit Switch (3A/250V AC)
- LS4: SPDT Auxiliary Limit Switch (3A/250V AC)
- LR: Local Remote Contact (optional)
- RY1: Alarm Relay (optional)
- TS: Torque Switches (optional)

Notes:

- 1) "L" connects to 6, "N" connects to 7.
- 2) Select "Remote" Mode : 1 connects to 3 for "OPEN".
- 3) Select "Remote" Mode : 1 connects to 4 for "CLOSE".
- 4) Select "Local" Mode : Controlled by S2.
- 5) Wiring is shown with Actuator Fully Closed.
- 6) Local Control: #11 will connect to #12
Remote Control: #11 will connect to #13
- 7) Power Failure: #8 will connect to #10

8) **Applicable to Actuator models iVQ-C, D.**



Innovative Actuation Incorporated

1-215 Traders Blvd. Mississauga, Ontario Canada www.ivact.com

DESCRIPTION:
110/220V AC ON/OFF with Heater, Thermostat,
Auxiliary Switches, Local Control Unit
30% Duty

WIRING DIAGRAM CODE: QP DATE: APR. 21/2018

WIRING DIAGRAM NO.: Q-2AL21NNN-1