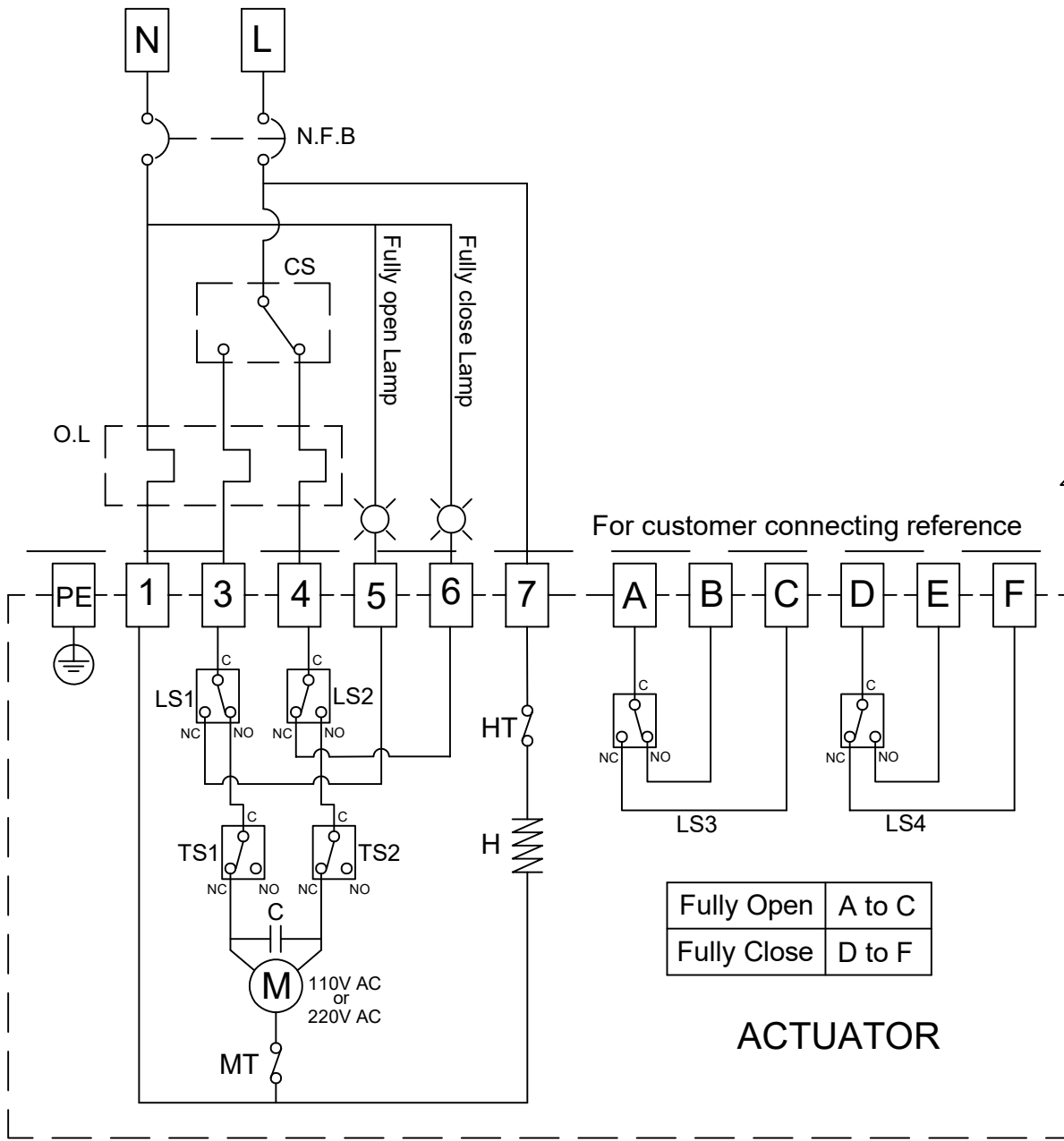


Power Supply



For customer connecting reference

Fully Open	A to C
Fully Close	D to F

ACTUATOR

LIVE SWITCHING

03			
02			
01			
00			
Rev	Description	Date	APVD

Revision History

Power Supply: 110-120V AC or 220-240V AC

- N.F.B: No Fuse Breaker
- C.S: Control Switch
- O.L: Overload Relay
- P.E: Protective Earth
- H: Heater
- HT: Heater Thermostat
- MT: Motor Thermostat
- C: Capacitor
- M: Motor
- LS1: Limit Switch for OPEN (5A/250V AC)
- LS2: Limit Switch for CLOSE (5A/250V AC)
- LS3: SPDT Auxiliary Limit Switch (5A/250V AC)
- LS4: SPDT Auxiliary Limit Switch (5A/250V AC)
- TS: Torque Switches (optional)

Notes:

- 1) "N" connects to 1, "L" connects to 7.
- 2) "L" connects to 3 for "OPEN".
- 3) "L" connects to 4 for "CLOSE".
- 4) Wiring is shown with Actuator Fully Closed.
- 5) **Applicable to Actuator models iVQ-E to R.**



**Innovative Actuation Incorporated**

1-215 Traders Blvd. Mississauga, Ontario Canada www.ivact.com

DESCRIPTION:

110/220V AC ON/OFF with Heater, Thermostat and Auxiliary Switches 30% Duty

WIRING DIAGRAM CODE: **QR** DATE: **JAN. 08/2021**

WIRING DIAGRAM NO.: **Q-2AN21NNN-2**