

03			
02			
01			
00			
Rev	Description	Date	APVD

Revision History

Power Supply: 220-240V AC

- CS: Control Switch
- S1: Local / Remote Selector Switch
- S2: OPEN / OFF / CLOSE Selector Switch
- PE: Protective Earth
- H: Heater
- HT: Heater Thermostat
- MT: Motor Thermostat
- M: Motor
- LS1: Limit Switch for OPEN (5A/250V AC)
- LS2: Limit Switch for CLOSE (5A/250V AC)
- LS3: SPDT Auxiliary Limit Switch (5A/250V AC)
- LS4: SPDT Auxiliary Limit Switch (5A/250V AC)
- TS: Torque Switches (optional)

Notes:

- 1) "L" connects to 6, "N" connects to 7.
- 2) Select "Remote" Mode : 1 connects to 3 for "OPEN".
- 3) Select "Remote" Mode : 1 connects to 4 for "CLOSE".
- 4) Select "Local" Mode : Controlled by S2.
- 5) #8 and #9 are for current output signal (4-20mA), #8 and #10 are for voltage output signal (2-10V).
- 6) Wiring is shown with Actuator Fully Closed.

7) **Applicable to Actuator models iVQ-O to R.**



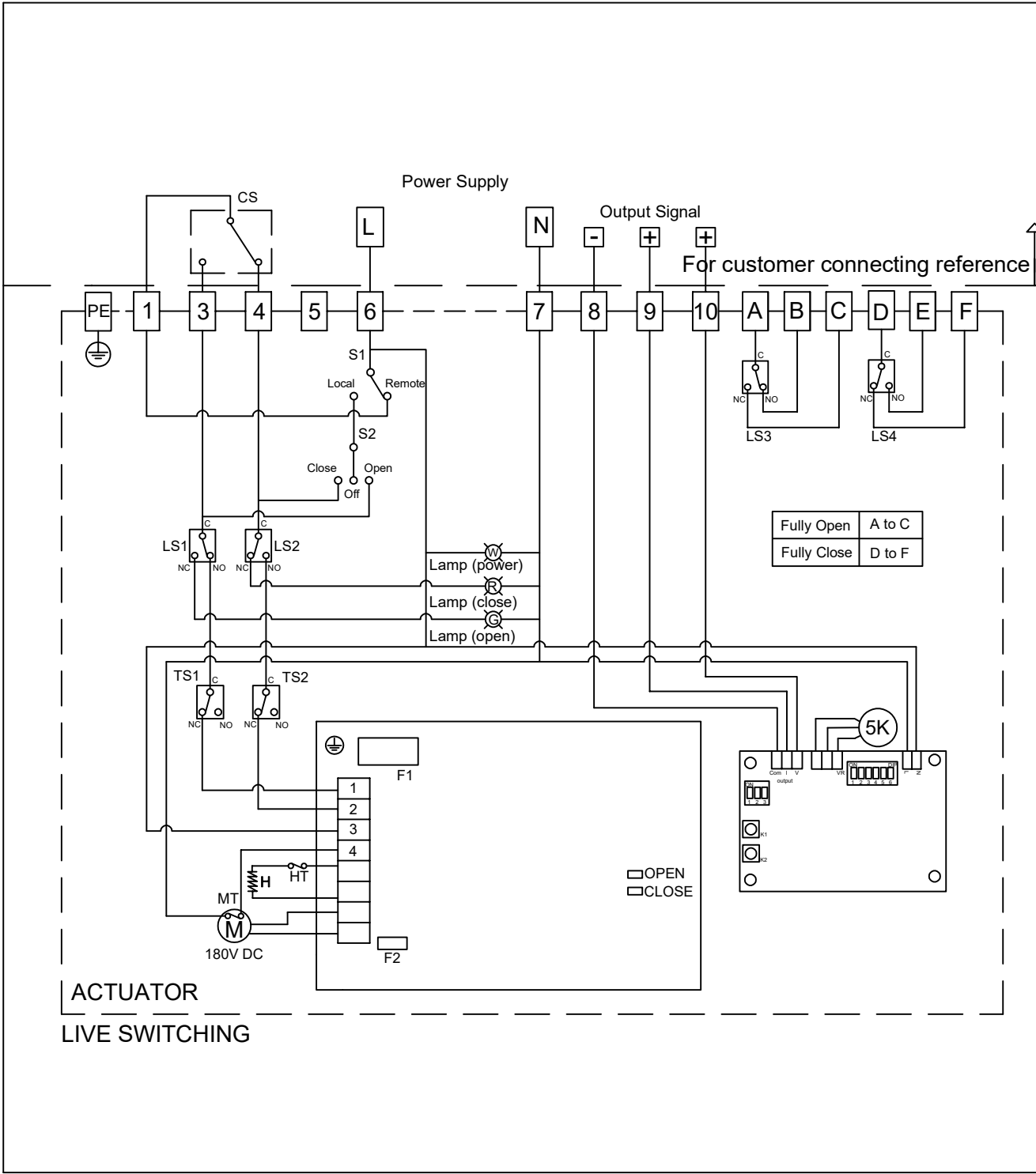
**Innovative Actuation Incorporated**

1-215 Traders Blvd. Mississauga, Ontario Canada www.ivact.com

**DESCRIPTION:**  
 220V AC ON/OFF with Heater, Thermostat,  
 Auxiliary Switches, 4-20mA Feedback and  
 Local Control Unit 50% Duty

WIRING DIAGRAM CODE: **QU** | DATE: **APR. 21/2018**

WIRING DIAGRAM NO.: **Q-2CL21N3N-2**



ACTUATOR  
LIVE SWITCHING

Fully Open	A to C
Fully Close	D to F