

03			
02			
01			
00			
Rev	Description	Date	APVD

Revision History

Power Supply: 110-120V AC

- CS: Control Switch
- S1: Local / Remote Selector Switch
- S2: OPEN / OFF / CLOSE Selector Switch
- PE: Protective Earth
- H: Heater
- HT: Heater Thermostat
- MT: Motor Thermostat
- M: Motor
- LS1: Limit Switch for OPEN (5A/250V AC)
- LS2: Limit Switch for CLOSE (5A/250V AC)
- LS3: SPDT Auxiliary Limit Switch (5A/250V AC)
- LS4: SPDT Auxiliary Limit Switch (5A/250V AC)
- TS: Torque Switches (optional)
- RY1: Alarm Relay (optional)
- LR: Local Remote Contact (optional)

Fully Open	A to C
Fully Close	D to F

Notes:

- 1) "L" connects to 6, "N" connects to 7.
- 2) Select "Remote" Mode : 1 connects to 3 for "OPEN".
- 3) Select "Remote" Mode : 1 connects to 4 for "CLOSE".
- 4) Select "Local" Mode : Controlled by S2.
- 5) Wiring is shown with Actuator Fully Closed.
- 6) Terminal 11 to 12 for Remote mode indication.
Terminal 11 to 13 for Local mode indication.
- 7) Terminal 8 to 10 for power fail indication.
- 8) **Applicable to Actuator models iVQ-O to R.**

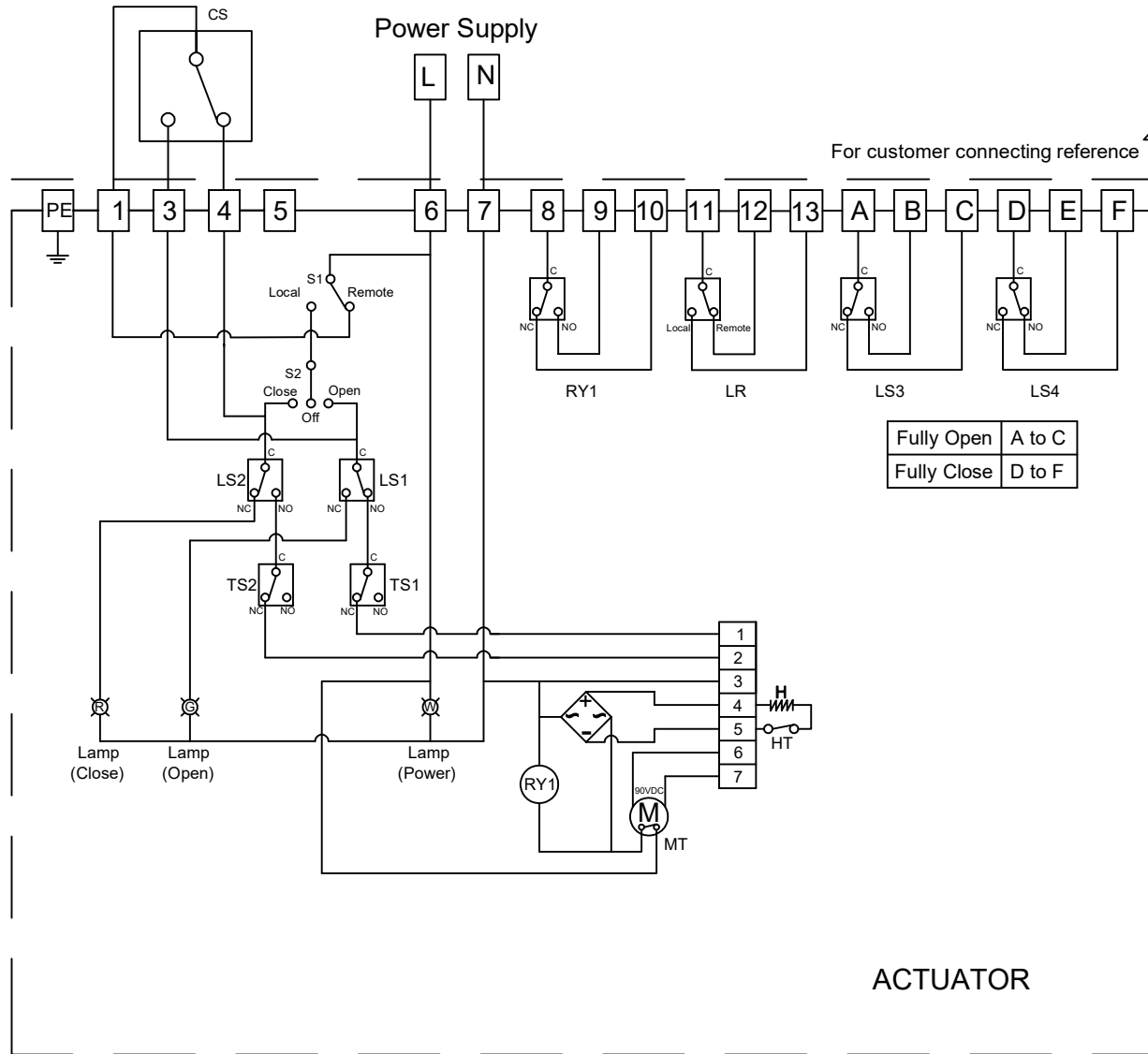


Innovative Actuation Incorporated
 1-215 Traders Blvd. Mississauga, Ontario Canada www.ivact.com

DESCRIPTION:
 110V AC ON/OFF with Heater, Thermostat,
 Auxiliary Switches and Local Control Unit
 50% Duty

WIRING DIAGRAM CODE: **QV** | DATE: **August 14/2020**

WIRING DIAGRAM NO.: **Q-2CL21NNN-1**



LIVE SWITCHING

ACTUATOR