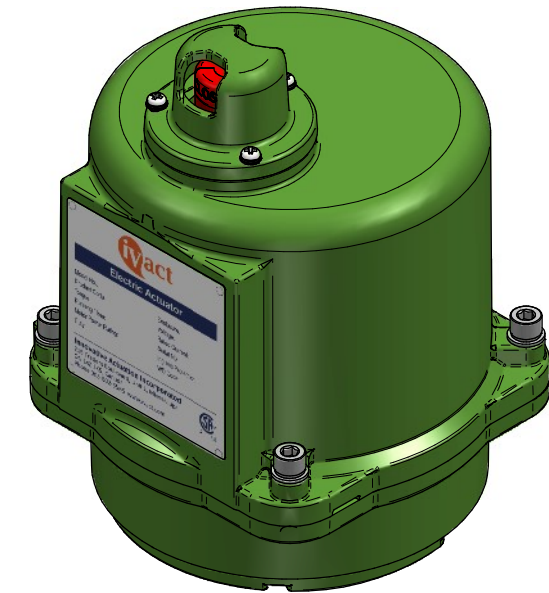
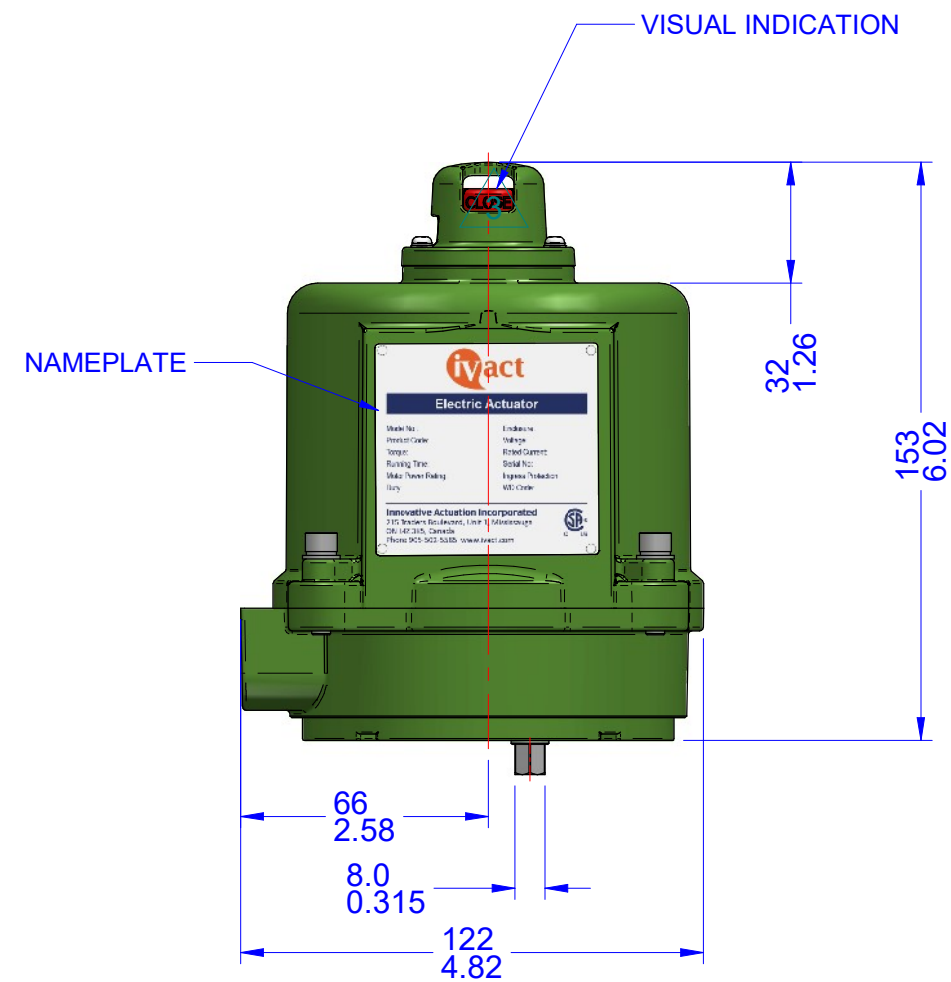
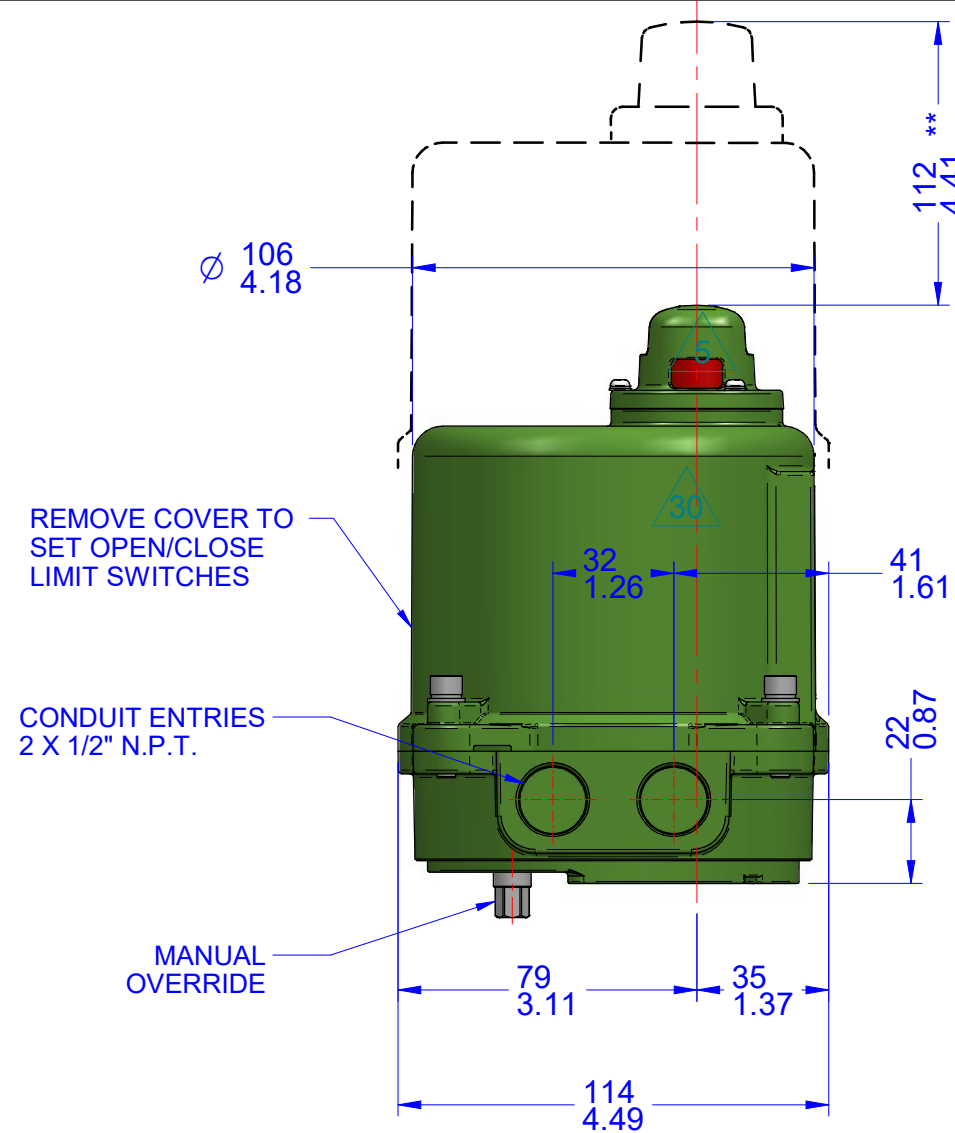


03			
02			
01			
00			
REV	DESCRIPTION	DATE	APVD
REVISION HISTORY			



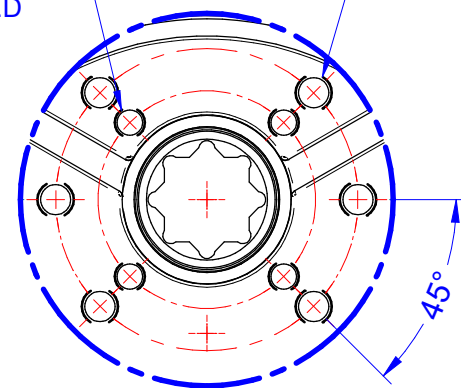
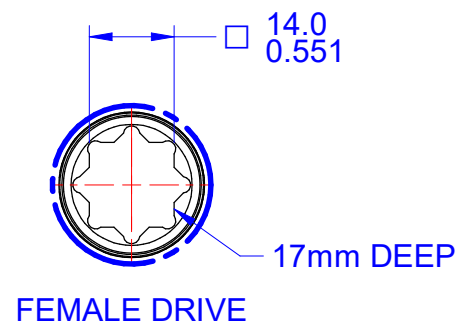
**Notes:**

- 1) All dimensions are in mm/INCHES.
- 2) Actuator shown is in the fully clockwise closed position.
- 3) Enclosure - Watertight CSA Nema 4X.
- 4) \*\* Designates cover removal allowance.

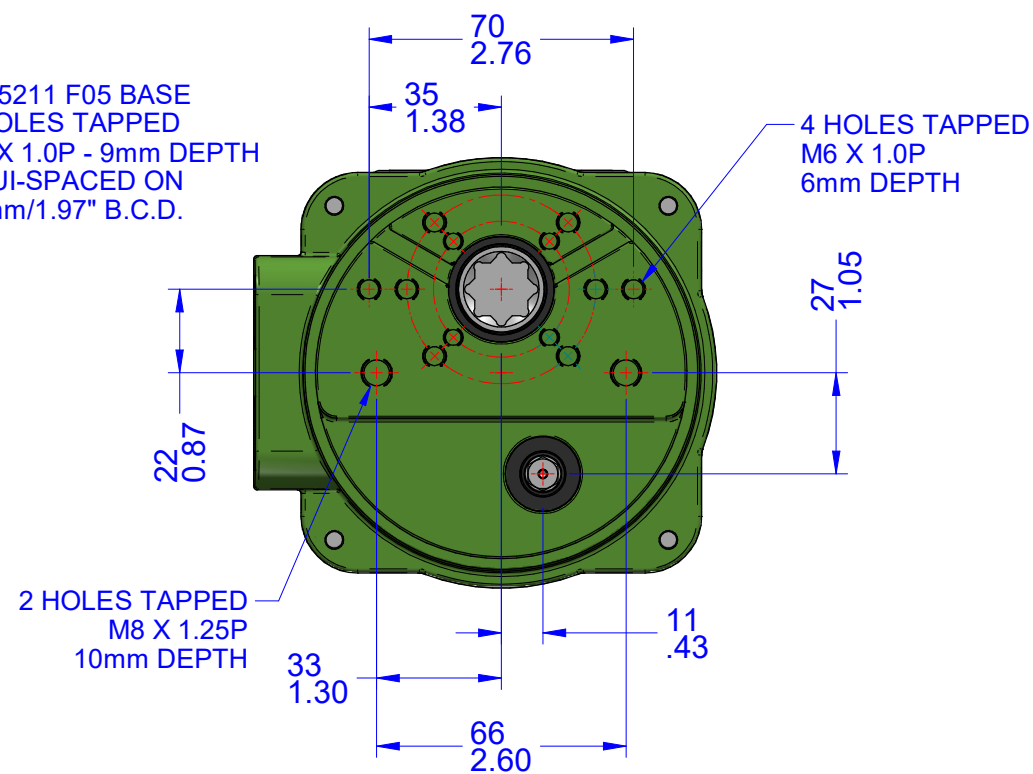
ISO5211 F03 BASE  
4 HOLES TAPPED  
M5 X 0.8P - 8mm DEPTH  
EQUI-SPACED ON  
36mm/1.42" B.C.D.

ISO5211 F05 BASE  
4 HOLES TAPPED  
M6 X 1.0P - 9mm DEPTH  
EQUI-SPACED ON  
50mm/1.97" B.C.D.

4 HOLES TAPPED  
M6 X 1.0P  
6mm DEPTH



**BASE DETAIL**



**Innovative Actuation Incorporated**

1-215 Traders Blvd. Mississauga, Ontario Canada L4Z-3K5 www.ivact.com

TITLE:

**Dimensional Drawing for iVact Model iVQ-CLWN Electric Actuator (Floating)**

DOC. NO.: IV-2004A

DATE: May 28/2018

DRAWING NO.:

**iVQ-CLWN**