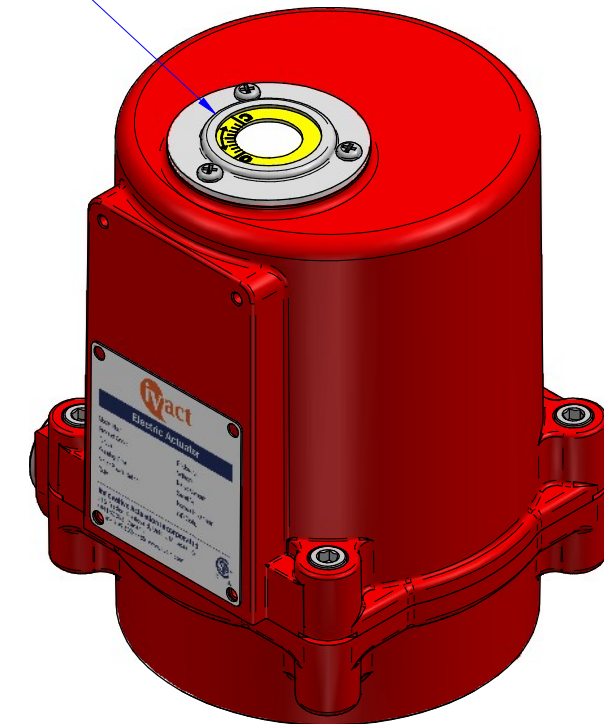
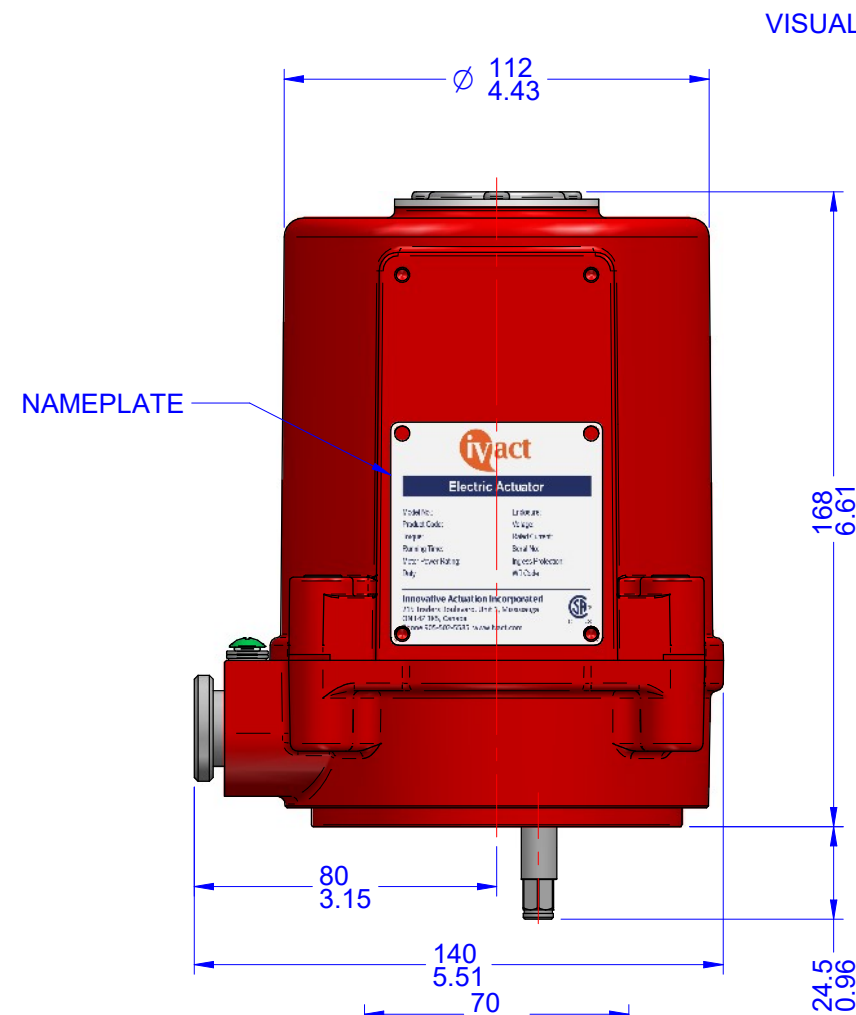
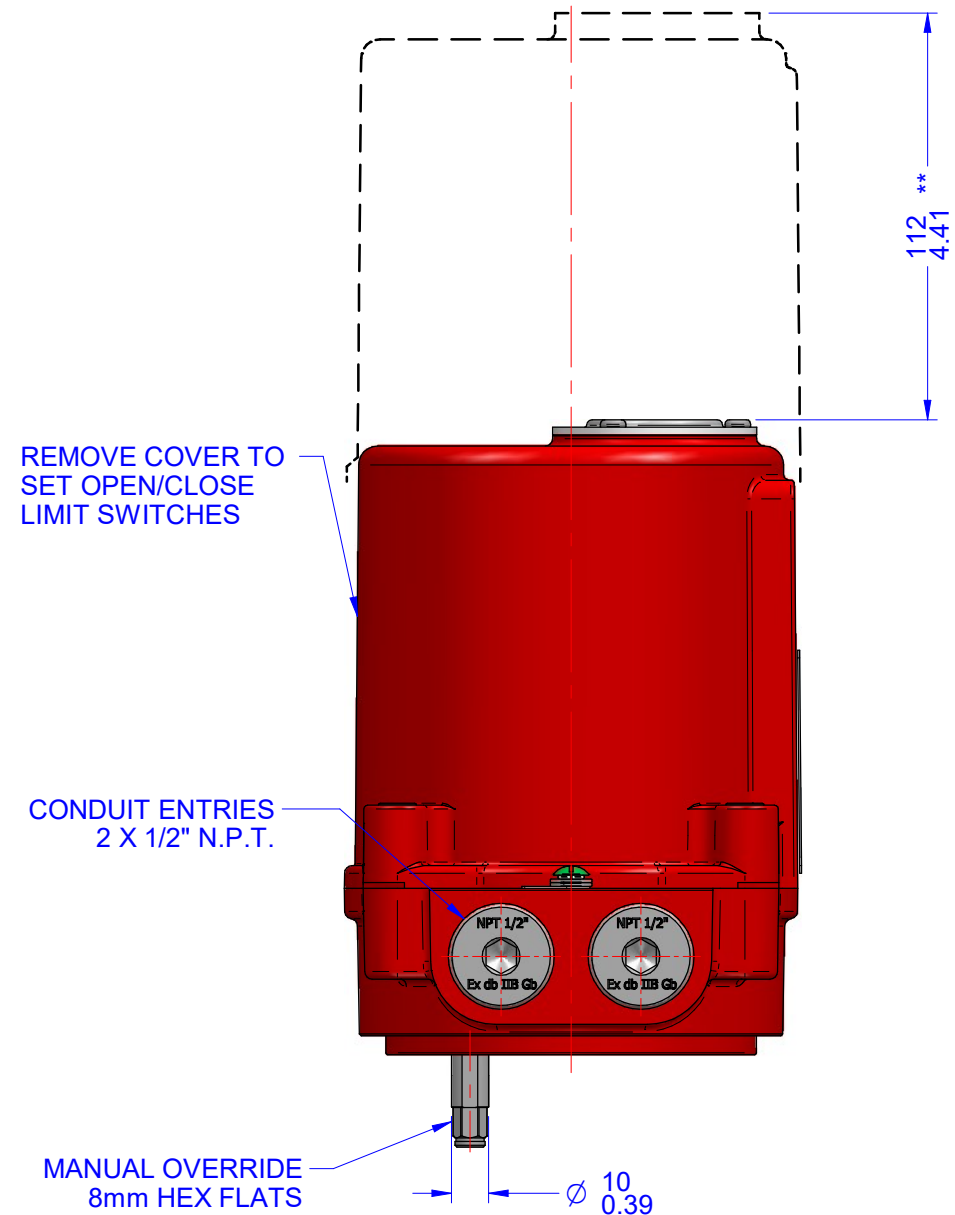
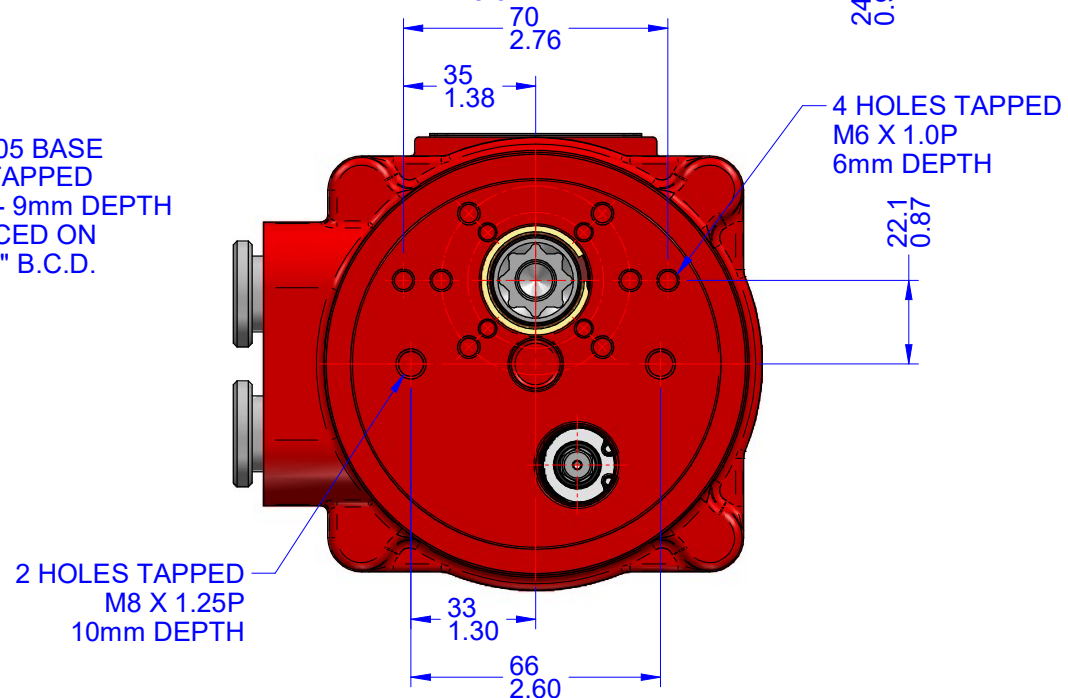
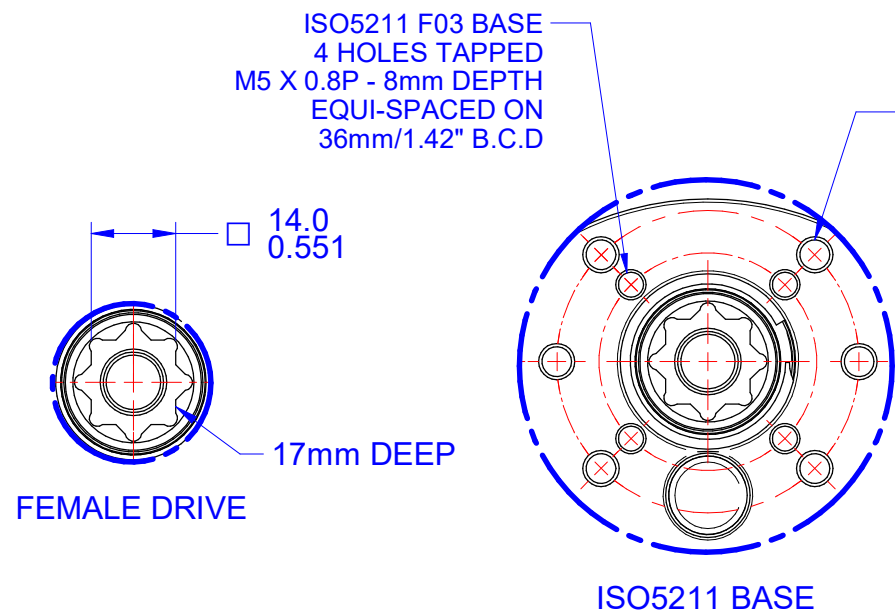


| 03 | | | |
|------------------|-------------|------|------|
| 02 | | | |
| 01 | | | |
| 00 | | | |
| REV | DESCRIPTION | DATE | APVD |
| REVISION HISTORY | | | |



- Notes:
- 1) All dimensions are in mm/INCHES.
 - 2) Actuator shown is in the fully clockwise closed position.
 - 3) Enclosure - EXPLOSIONPROOF.
 - 4) ** Designates cover removal allowance.



Innovative Actuation Incorporated

1-215 Traders Blvd. Mississauga, Ontario Canada L4Z-3K5 www.ivact.com

TITLE:
**Dimensional Drawing for ivact Model
iVQ-CLEN (Explosionproof) Quarter-turn
Electric Actuator (Floating)**

DOC. NO.: IV-2041A DATE: May 28/2018

DRAWING NO.: **iVQ-CLEN**