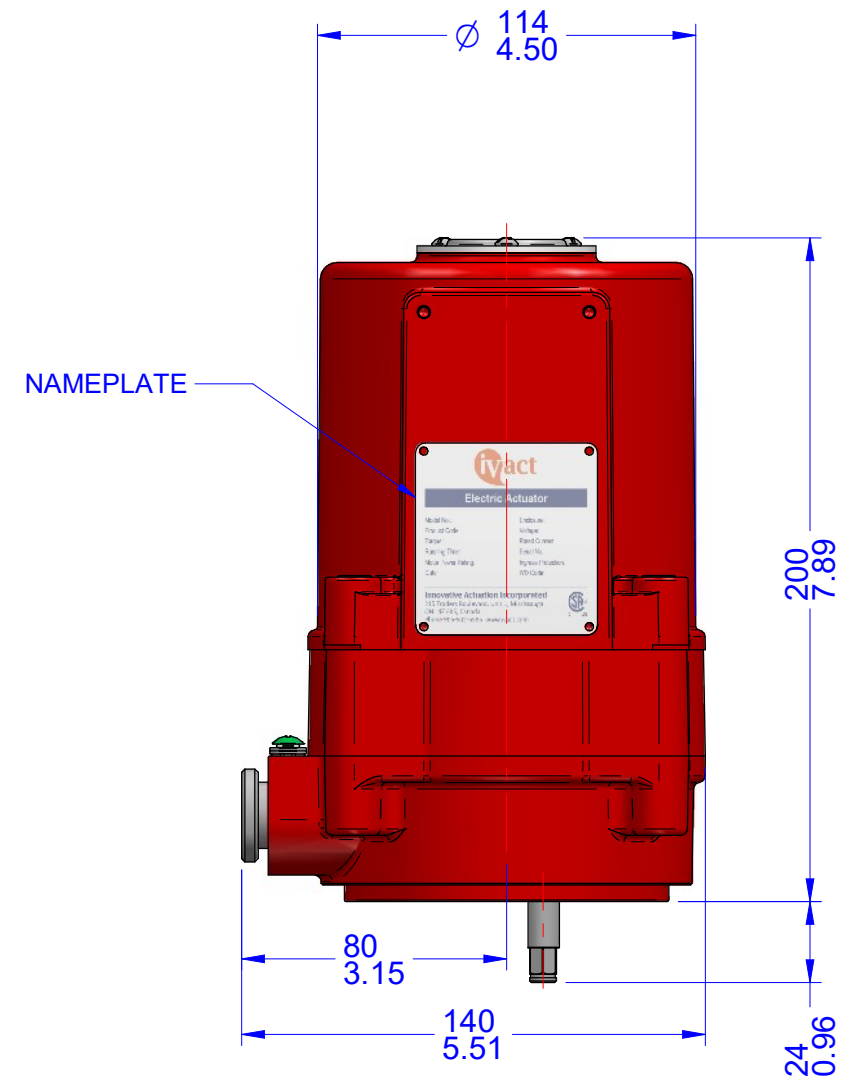
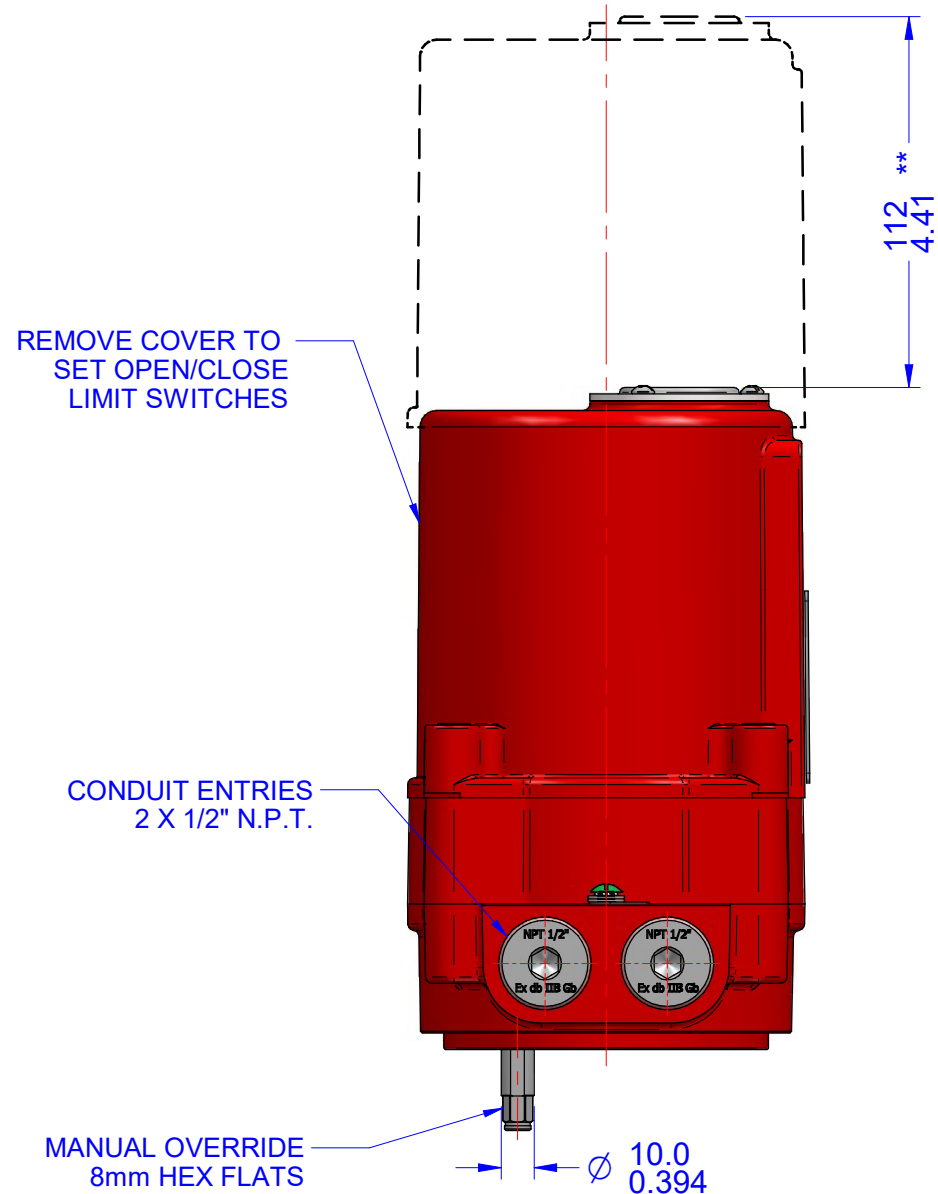
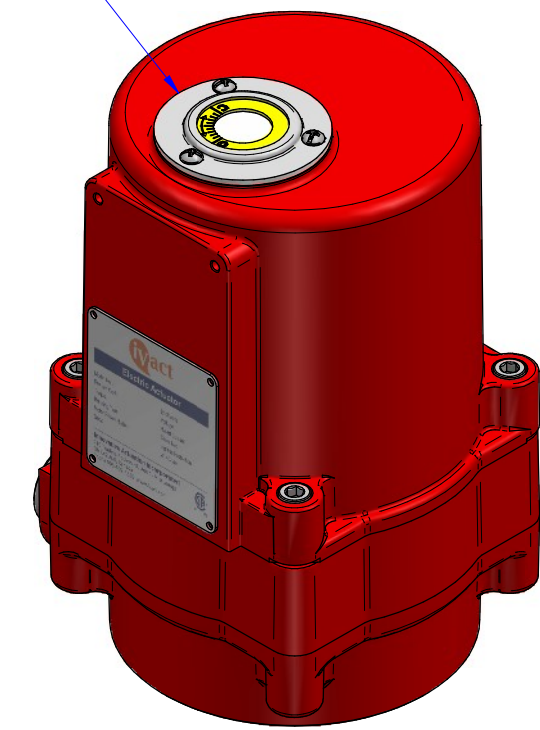


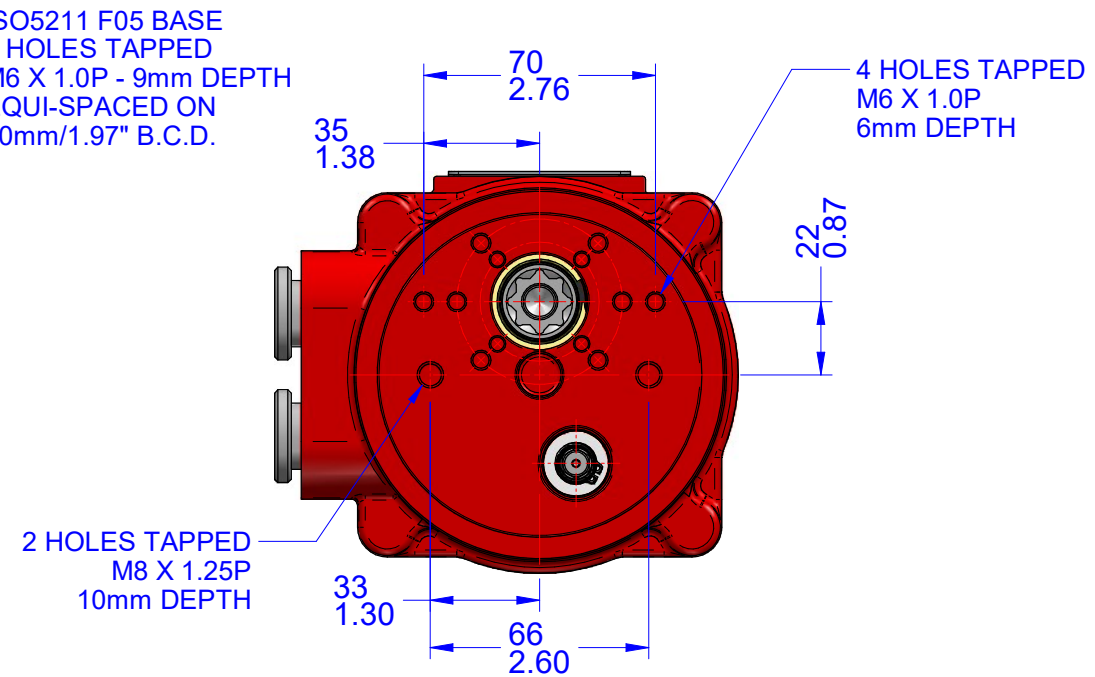
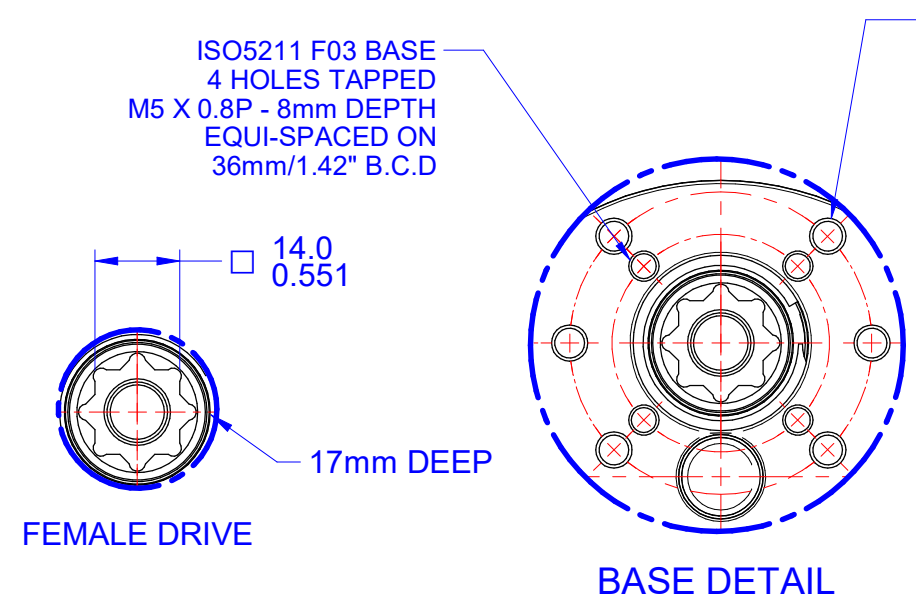
03			
02			
01			
00			
REV	DESCRIPTION	DATE	APVD
REVISION HISTORY			




VISUAL INDICATION



- Notes:**
- 1) All dimensions are in mm/INCHES.
 - 2) Actuator shown is in the fully clockwise closed position.
 - 3) Enclosure - EXPLOSIONPROOF.
 - 4) ** Designates cover removal allowance.





Innovative Actuation Incorporated

1-215 Traders Blvd. Mississauga, Ontario Canada L4Z-3K5 www.ivact.com

TITLE:
**Dimensional Drawing for ivact Model
iVQ-CLEN (Explosionproof) Quarter-turn
Electric Actuator with Modulating Board**

DOC. NO.: IV-2041B	DATE: June 7/2019
-----------------------	----------------------

DRAWING NO.:

iVQ-CLEN