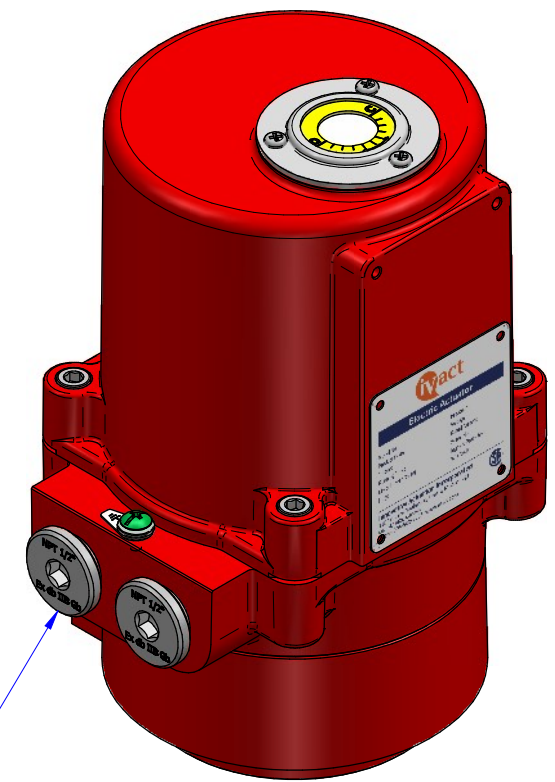
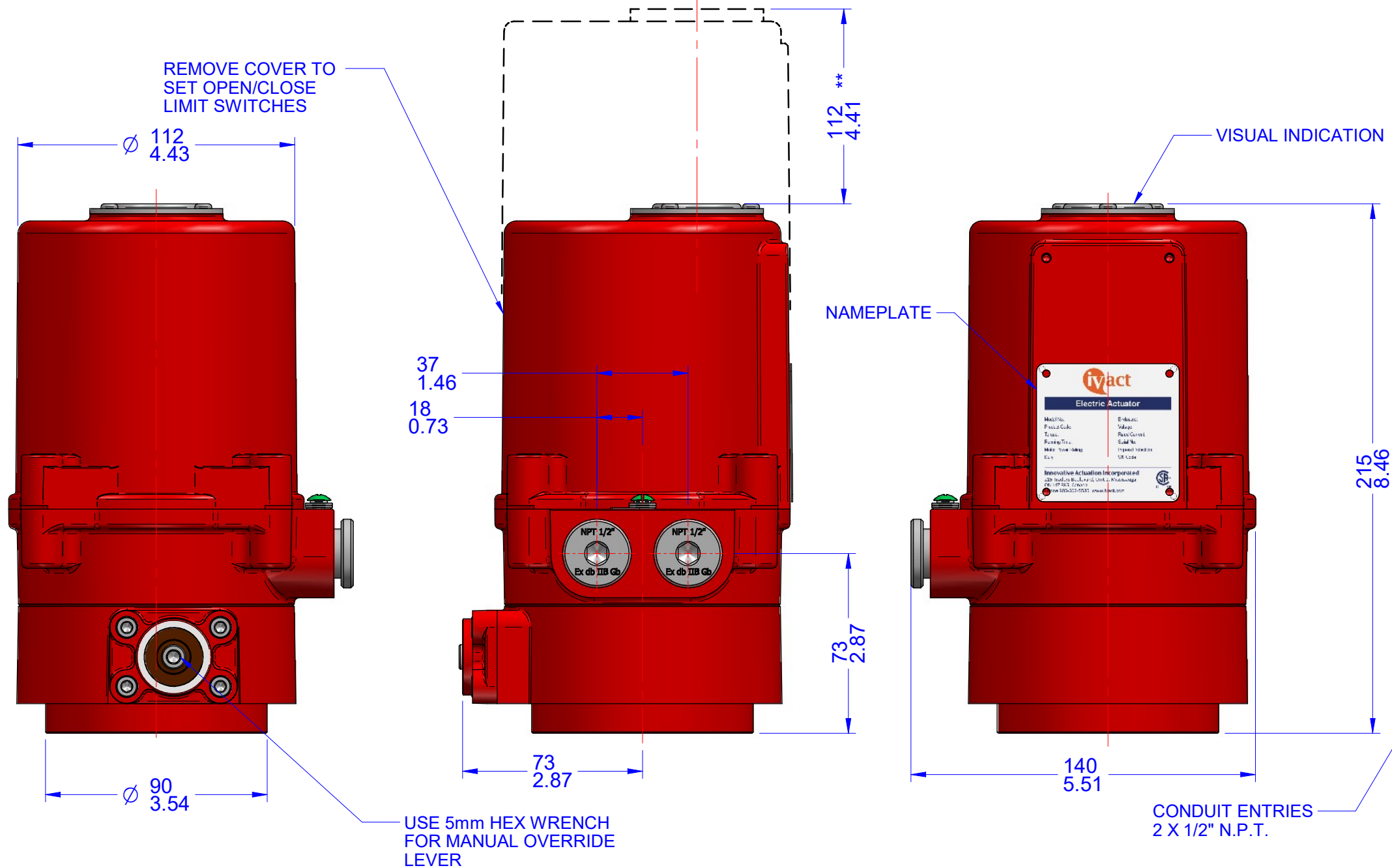
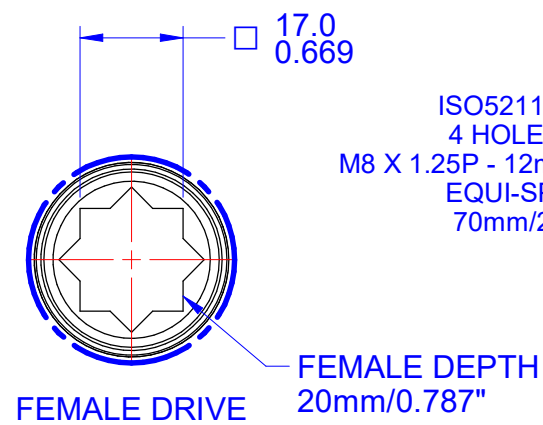


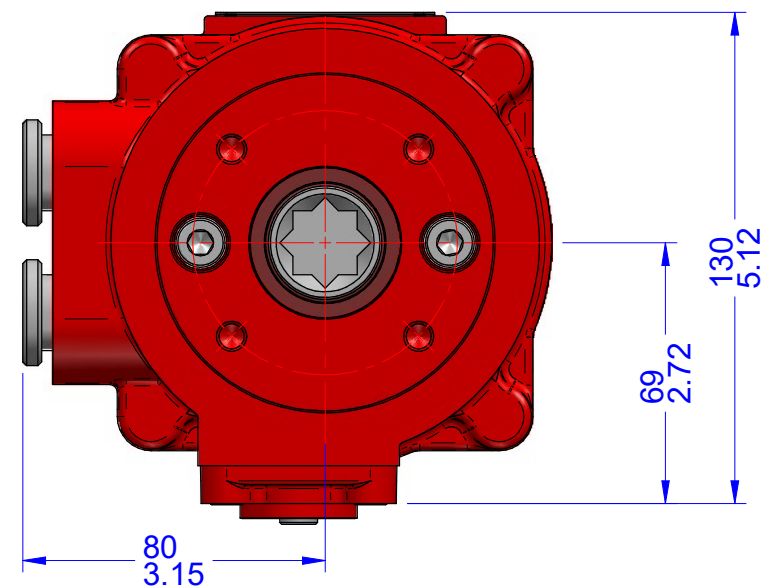
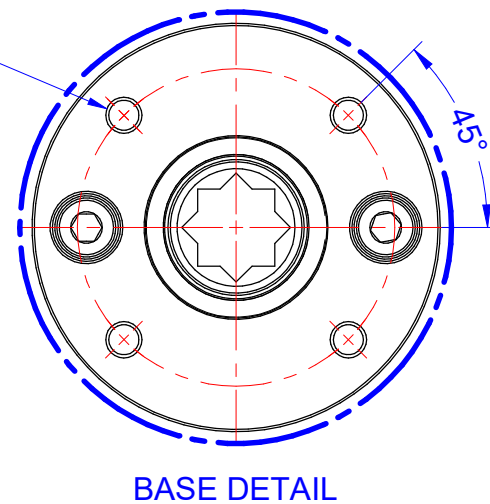
03			
02			
01			
00			
REV	DESCRIPTION	DATE	APVD
REVISION HISTORY			




- Notes:**
- 1) All dimensions are in mm/INCHES.
 - 2) Actuator shown is in the fully clockwise closed position.
 - 3) Enclosure - EXPLOSIONPROOF.
 - 4) ** Designates cover removal allowance.



ISO5211 F07 BASE
4 HOLES TAPPED
M8 X 1.25P - 12mm DEPTH
EQUI-SPACED ON
70mm/2.76" B.C.D





Innovative Actuation Incorporated

1-215 Traders Blvd. Mississauga, Ontario Canada L4Z-3K5 www.ivact.com

TITLE:
**Dimensional Drawing for iVact Model
iVQ-DLEN (Explosionproof) Quarter-turn
Electric Actuator (Floating)**

DOC. NO.: IV-2042A DATE: June 28/2018

DRAWING NO.:

iVQ-DLEN