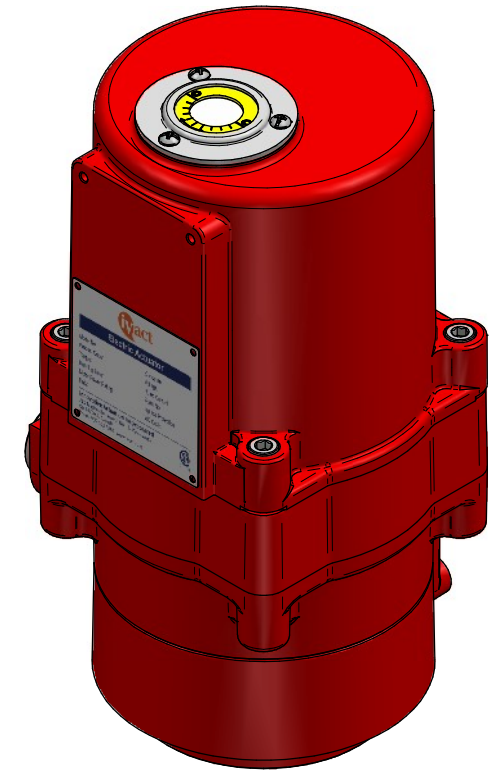
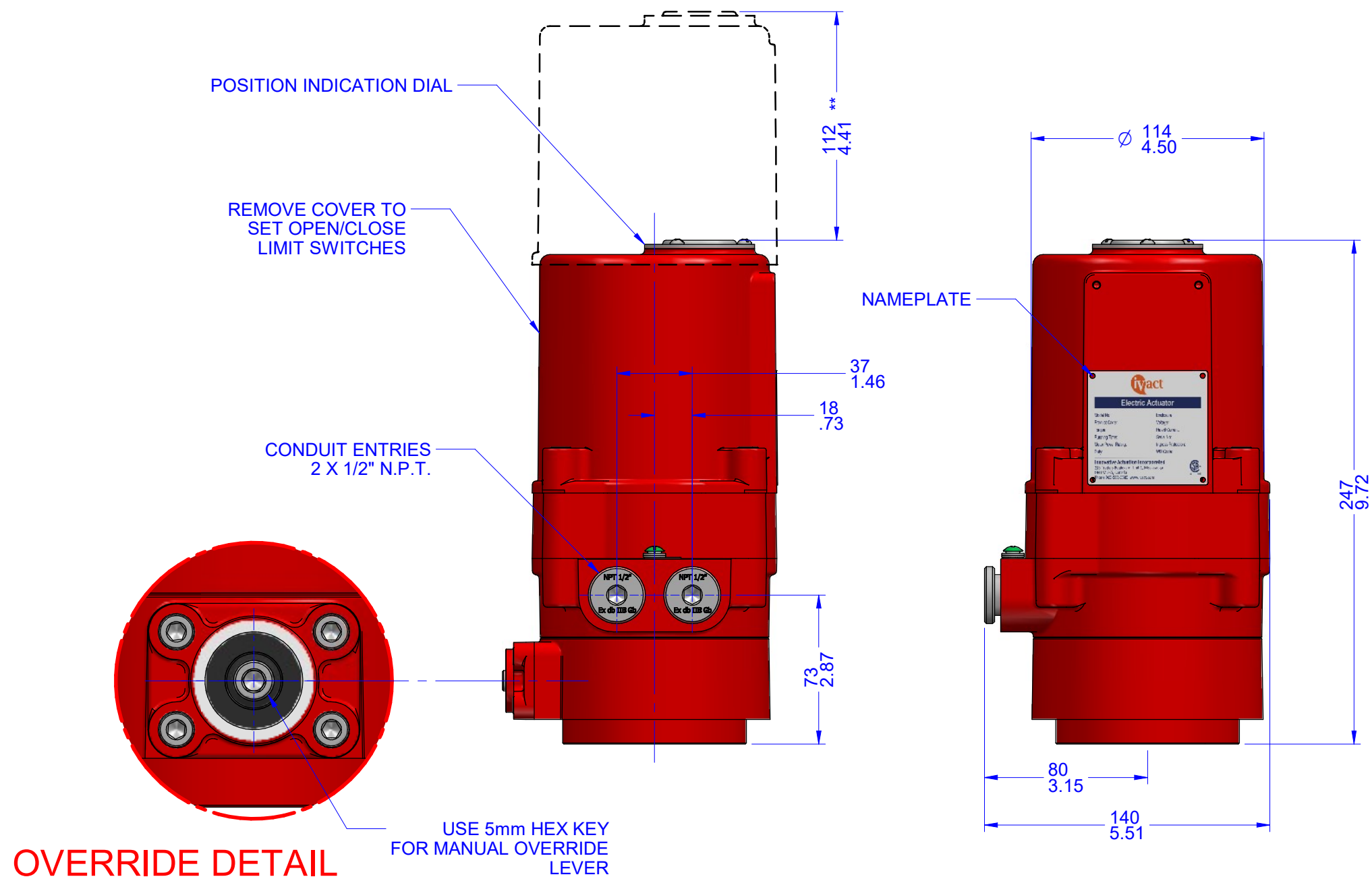
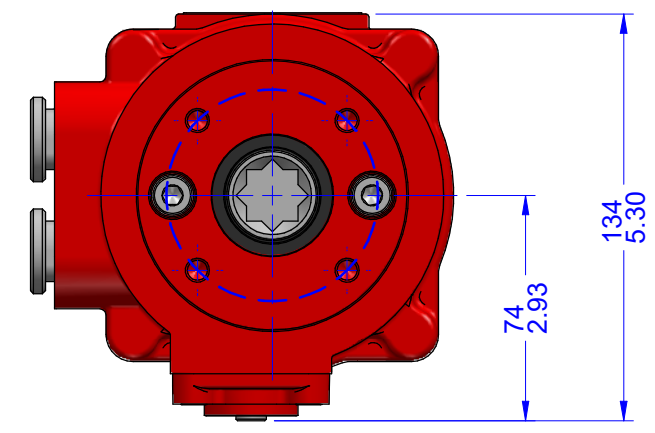
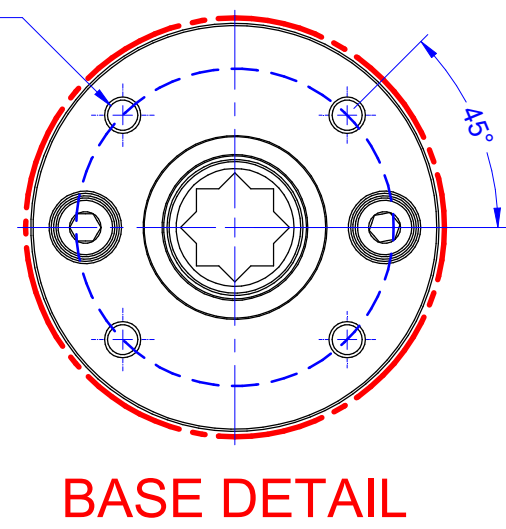
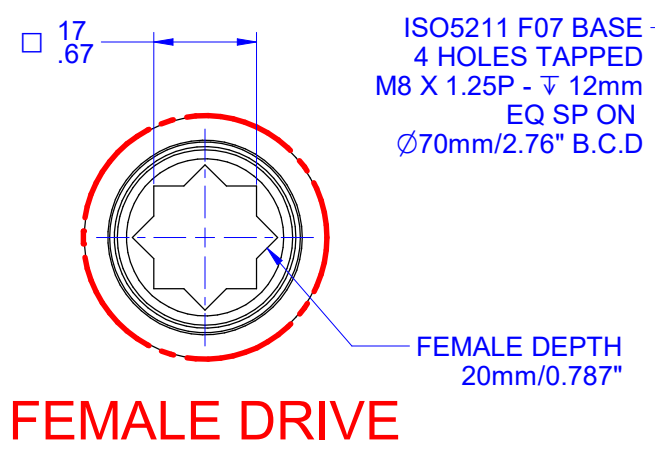
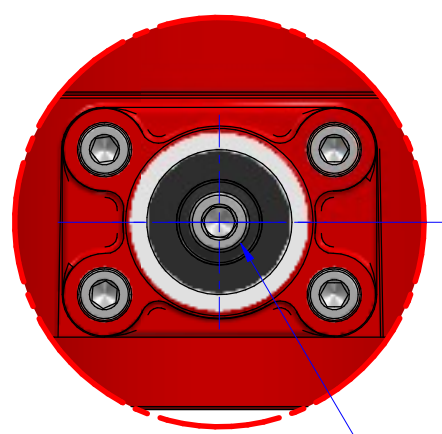


03			
02			
01			
00			
REV	DESCRIPTION	DATE	APVD
REVISION HISTORY			



- Notes:
- 1) All dimensions are in mm/INCHES.
 - 2) Actuator shown is in the fully clockwise closed position.
 - 3) Enclosure - Watertight CSA Nema 4X.
 - 4) ** Designates cover removal allowance.

OVERRIDE DETAIL



ivact

Innovative Actuation Incorporated

1-215 Traders Blvd. Mississauga, Ontario Canada L4Z-3K5 www.ivact.com

TITLE:
**Dimensional Drawing iVact Model iVQ-DLEN
(Explosionproof) Quarter-turn Electric
Actuator with Modulating Board**

DOC. NO.: IV-2042B	DATE: March 09/2021
-----------------------	------------------------

DRAWING NO.: **iVQ-DLEN**